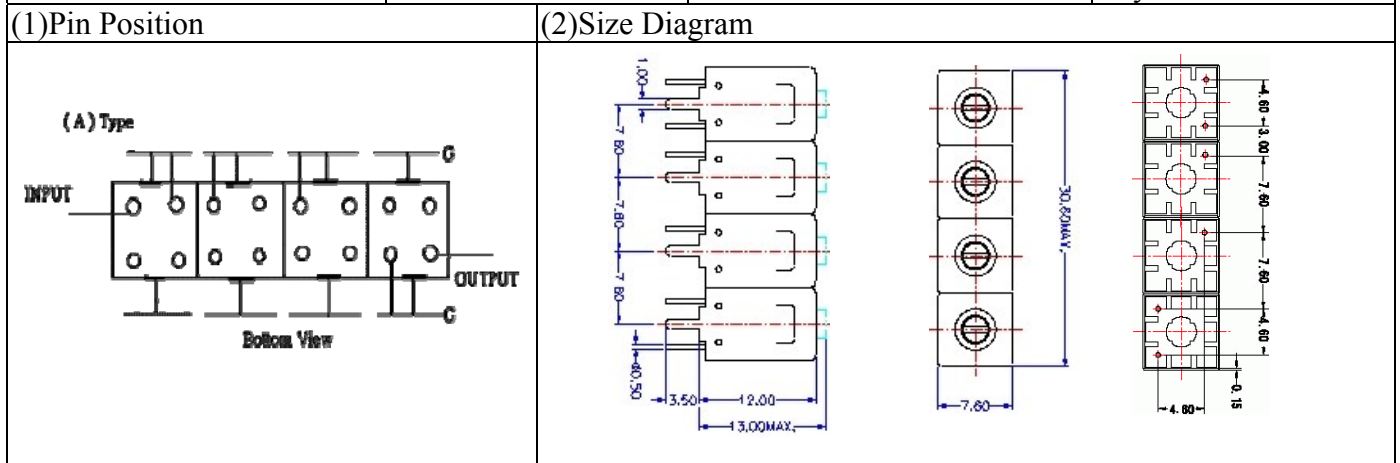


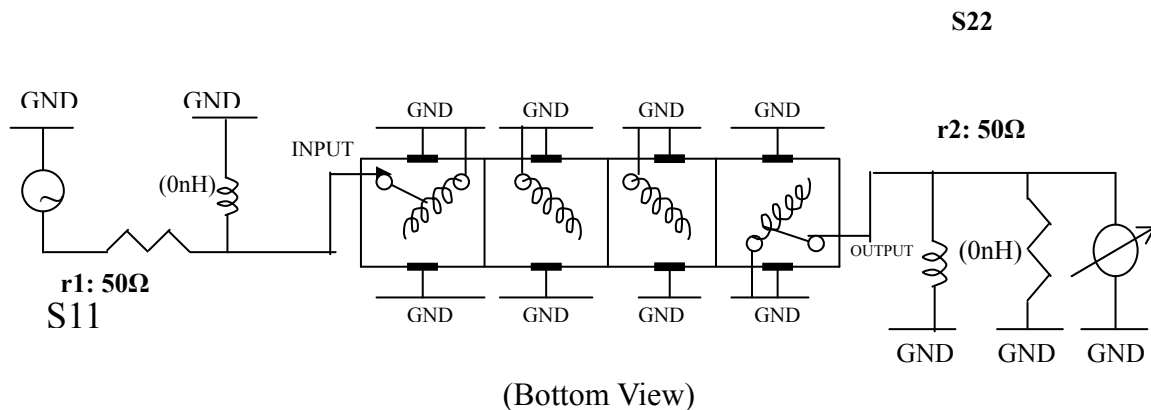
VHF UHF Helical Filter Specification Sheet

Customer Name		Temwell's Part No.	TF69878A-1140M
Approval No. /dated	0606053APR	Acceptable Fo Specify Range	1101-1180MHz
Work Instruction No.	0606053DB	Date	July.05.2006



(3) Electric Character		Specify	Performance
Item			
Center Freq.(Fo) +/- 0.5 %		1140 MHz	1140 MHz
Insertion Loss		Typ. 3.5 dB	2.41 dB
-1 dB Bandwidth		Typ. 40 MHz	46.2 MHz
-3 dB Bandwidth		Typ. 50 MHz	58.0 MHz
Sensitivity (Attenuation)	Fo - 70 MHz	Typ. 35 dB	39 dB
	Fo + 70 MHz	Typ. 28 dB	30 dB
	Fo - ()MHz	Typ. dB	dB
	Fo +()MHz	Typ. dB	dB
Return Loss		Min. 12 dB	24.4 dB
Ripple		< 1 dB	dB
Impedance		In / Out : 50 Ω	In / Out : 50 Ω
(4) Torque for Tuning Screw		> 100gf • cm	
(5) Temperature Condition:			
Operating Temperature		0°C ~ +60°C	
Storage Temperature		-20°C ~ +70°C	
(6) Input Power		> 1Watt	

(7) Measuring Circuit: ※Easy to match Impedance S11/S22 50Ω by parallel with about(0 nH) / (0 nH).

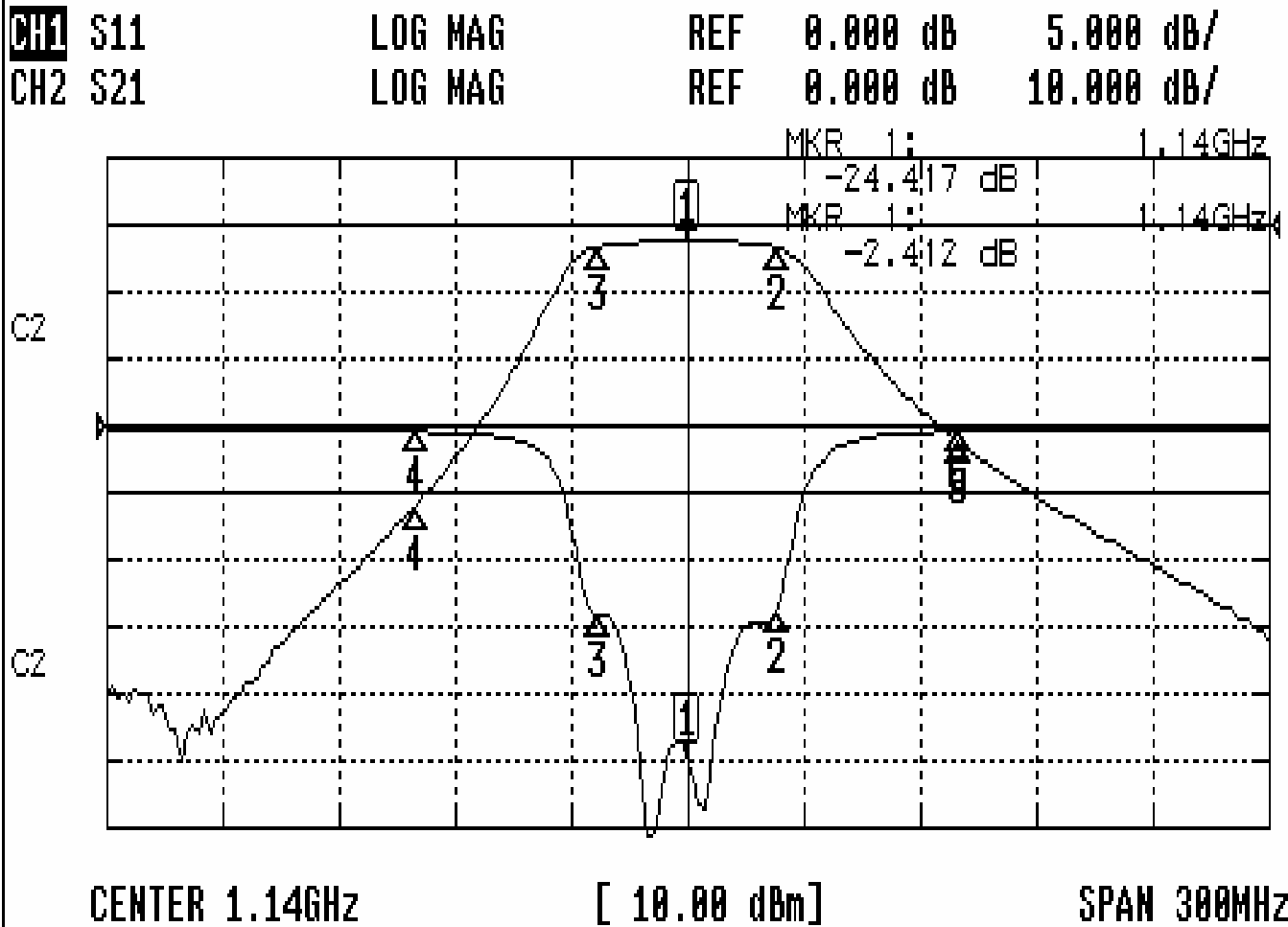


Approval	Supervisor	Designer	Aperture size
C.Y.Chang	C.S.Chang	C.S.Chang	7H4S(4*5.5)(5.60) 7H046LB5

TEMWELL CORPORATION

Performance-TF69878A-1140M

0606053DB



CH1 MARKER LIST

Marker	Freq (GHz)	Magnitude (dB)
1	1.140 000	-24.417
2	1.163 250	-13.616
3	1.117 000	-14.137
4	1.070 000	-0.409
5	1.210 000	-0.391

CH2 MARKER LIST

Marker	Freq (GHz)	Magnitude (dB)
1	1.140 000	-2.412
2	1.163 250	-3.412
3	1.117 000	-3.414
4	1.070 000	-41.849
5	1.210 000	-32.486