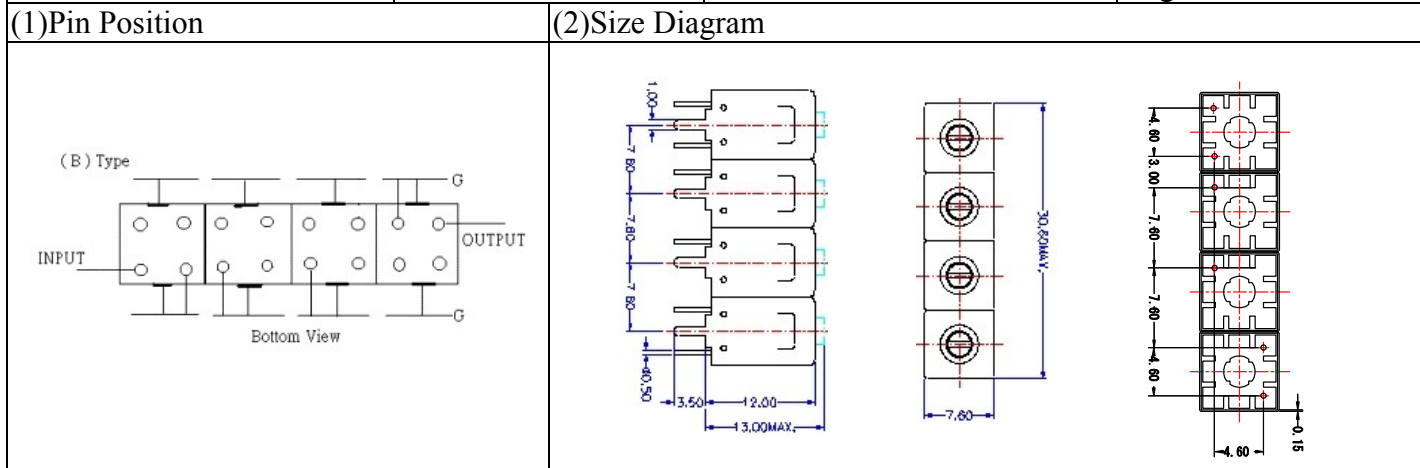


# VHF UHF Helical Filter Specification Sheet

Customer Name		Temwell's Part No.	TF69876B-725M
Approval No. /dated	201707054CD	Temwell's Print Name	69876B 725M
Work Instruction No.	201707054CD	Date	Aug.11.2017



### (3) Electric Characteristic

Item	Specify	Performance
Center Freq.(Fo) +/- 0.5 %	725 MHz	725 MHz
Insertion Loss	Typ. 2.0 dB	1.16 dB
-3 dB Bandwidth	Typ. 90 MHz	92.3 MHz
Sensitivity (Attenuation)	Fo - 200 MHz	Typ. 60 dBc
	Fo +200 MHz	Typ. 35 dBc
	Fo - ( )MHz	Typ. dBc
	Fo +( )MHz	Typ. dBc
Return Loss	Min. 12 dB	19.7 dB
Ripple	< 1 dB	dB
Impedance	In / Out : 50 Ω	In / Out : 50 Ω
(4) Torque for Tuning Screw	> 60gf • cm	

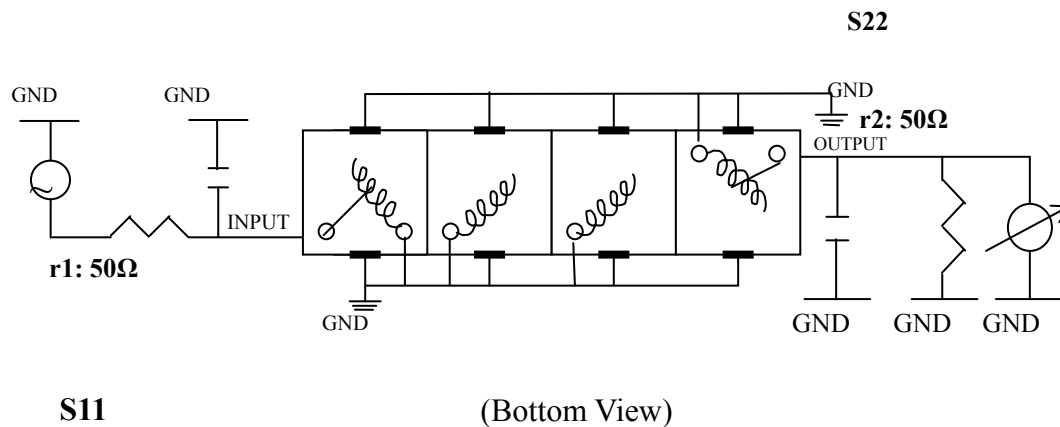
### (5) Temperature Condition:

Operating Temperature	0°C ~ +60°C
Storage Temperature	-20°C ~ +70°C

### (6) Input Power

> 1Watt

### (7) Measuring Circuit: ※Easy to match Impedance S11/S22 50Ω by parallel with about(- -).



Approval	Supervisor	Designer	Aperture size
C.Y.Chang	C.K.Chang	P.H.Chiang	7H4S(4*8.0)(8.01) 7H046RB5.5-J1

TEMWELL CORPORATION

# Performance-TF69876B-725M

## 201707054CD

Tr1 S11 Log Mag 5.000dB/ Ref 0.000dB [F2]  
Tr2 S21 Log Mag 10.00dB/ Ref 0.000dB [F2]

