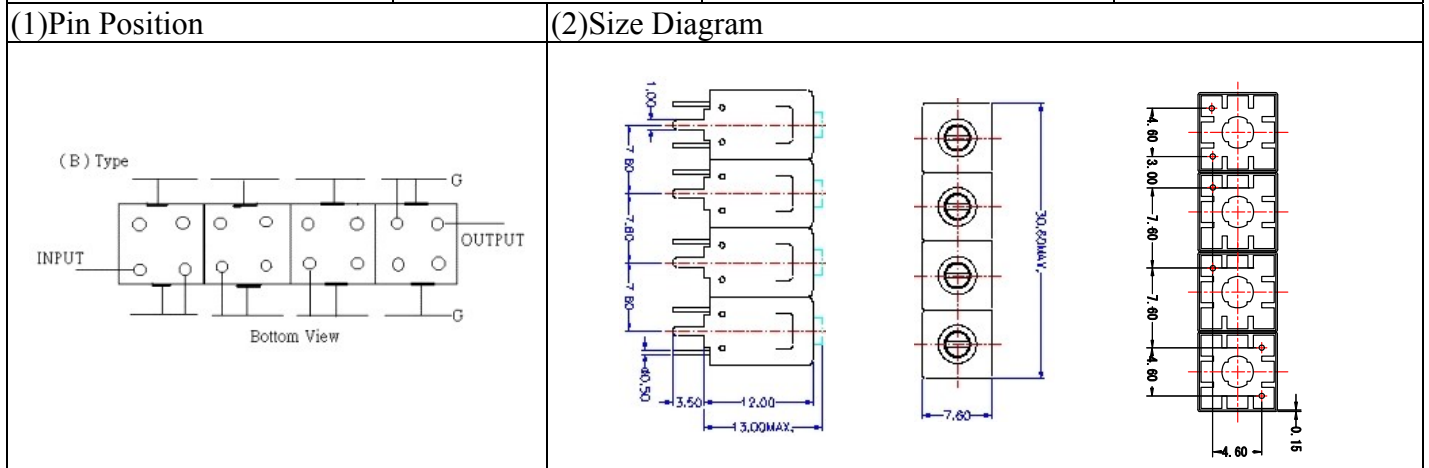
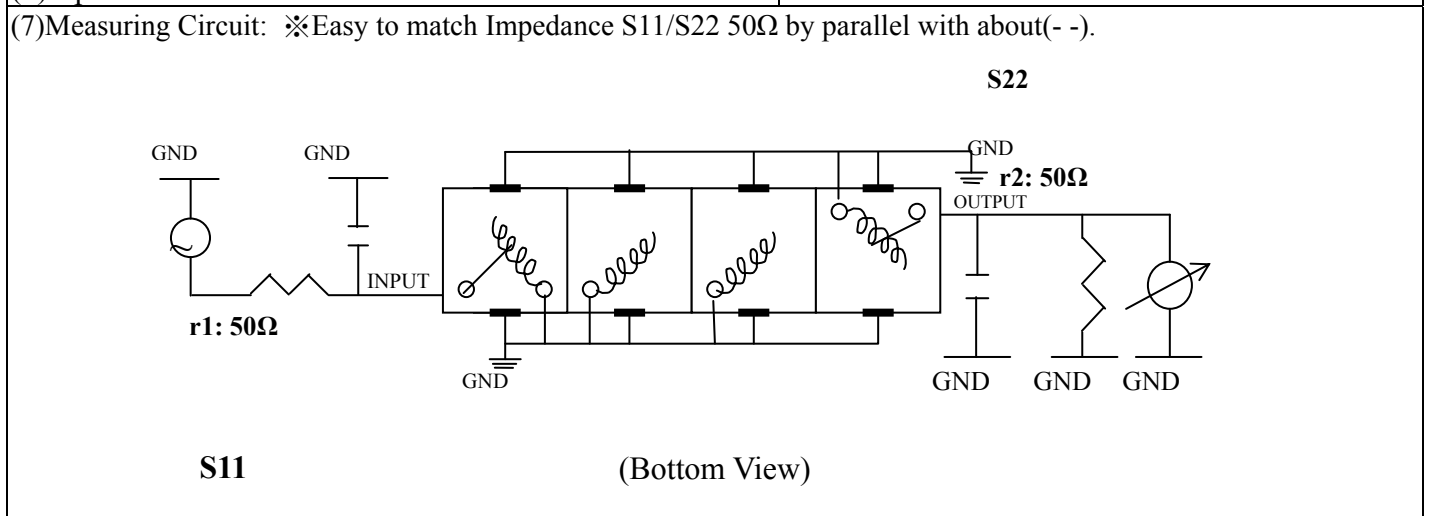


VHF UHF Helical Filter Specification Sheet

Customer Name		Temwell's Part No.	TF69874B-575M
Approval No. /dated	201703063CD	Temwell's Print Name	69874B 575M
Work Instruction No.	201703063CD	Date	Jun.09.2017



(3) Electric Characteristic			
Item	Specify		Performance
Center Freq.(Fo) +/- 0.5 %	575	MHz	575 MHz
Insertion Loss	Typ. 2.0	dB	1.00 dB
-3 dB Bandwidth	Typ. 90	MHz	98.0 MHz
Sensitivity (Attenuation)	Fo - 200 MHz	Typ. 70 dBc	81 dBc
	Fo +200 MHz	Typ. 40 dBc	44 dBc
	Fo - ()MHz	Typ. dBc	dBc
	Fo +()MHz	Typ. dBc	dBc
Return Loss	Min. 12	dB	21.3 dB
Ripple	< 1	dB	dB
Impedance	In / Out : 50 Ω		In / Out : 50 Ω
(4) Torque for Tuning Screw			> 60gf · cm
(5) Temperature Condition:			
Operating Temperature	0°C ~ +60°C		
Storage Temperature	-20°C ~ +70°C		
(6) Input Power	> 1Watt		



Approval	Supervisor	Designer	Aperture size
C.Y.Chang	C.K.Chang	P.H.Chiang	7H4S(4*5.6)(5.65) 7H046RB6.5-J2
TEMWELL CORPORATION			

Performance-TF69874B-575M

201703063CD

Tr1 S11 Log Mag 5.000dB/ Ref 0.000dB [F2]
▶ Tr2 S21 Log Mag 10.00dB/ Ref 0.000dB [F2]

