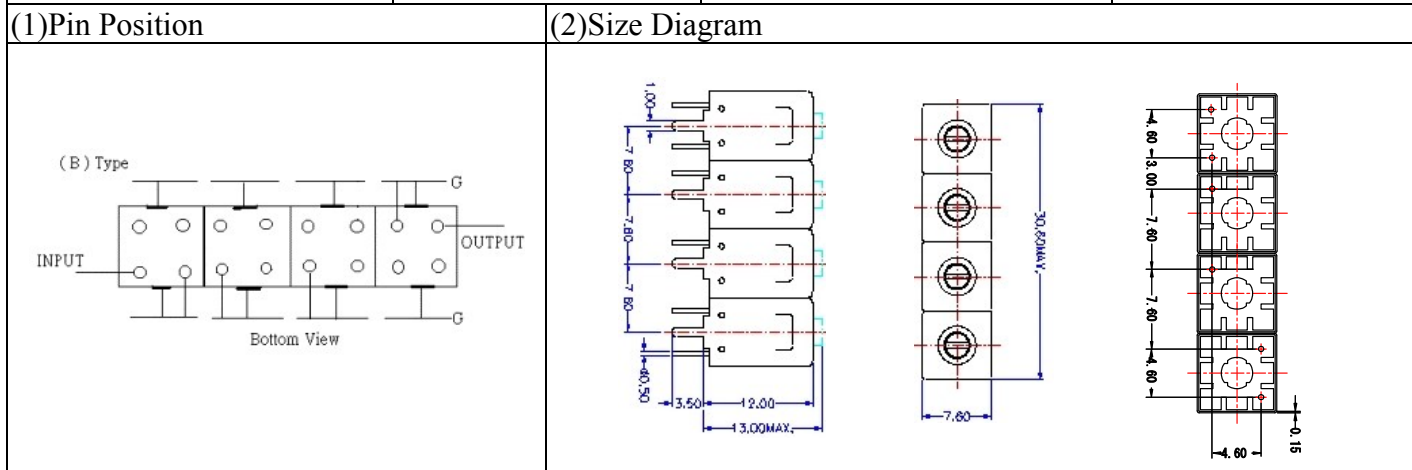


VHF UHF Helical Filter Specification Sheet

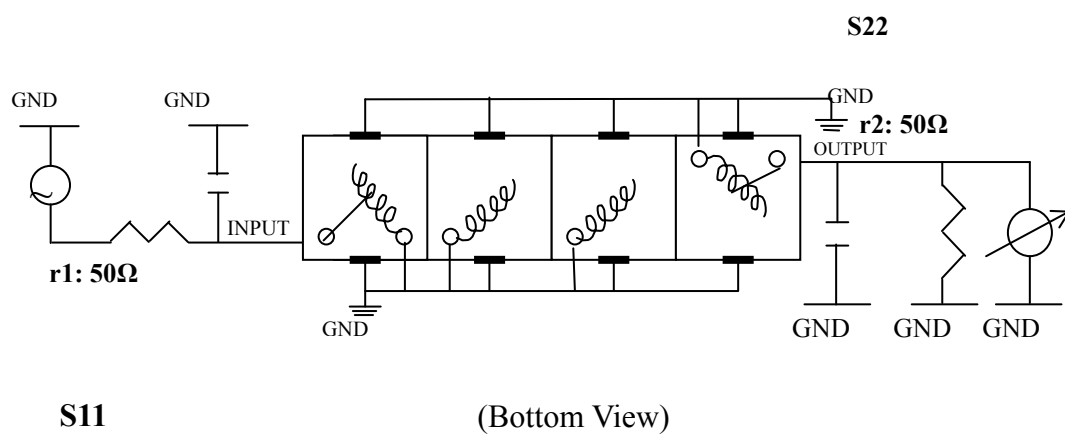
Customer Name		Temwell's Part No.	TF69873B-535M
Approval No. /dated	201703058CD	Temwell's Print Name	69873B 535M
Work Instruction No.	201703058CD	Date	Jun.12.2017



(3) Electric Characteristic

Item	Specify	Performance	
Center Freq.(Fo) +/- 0.5 %	535 MHz	535 MHz	
Insertion Loss	Typ. 2.0 dB	0.91 dB	
-3 dB Bandwidth	Typ. 85 MHz	89.8 MHz	
Sensitivity (Attenuation)	Fo - 200 MHz	Typ. 71 dBc	81 dBc
	Fo +200 MHz	Typ. 45 dBc	50 dBc
	Fo - ()MHz	Typ. dB	dB
	Fo +()MHz	Typ. dB	dB
Return Loss	Min. 12 dB	30.2 dB	
Ripple	< 1 dB	dB	
Impedance	In / Out : 50 Ω	In / Out : 50 Ω	
(4) Torque for Tuning Screw	> 60gf • cm		
(5) Temperature Condition:			
Operating Temperature	0°C ~ +60°C		
Storage Temperature	-20°C ~ +70°C		
(6) Input Power	> 1Watt		

(7) Measuring Circuit: ※ Easy to match Impedance S11/S22 50Ω by parallel with about(--).



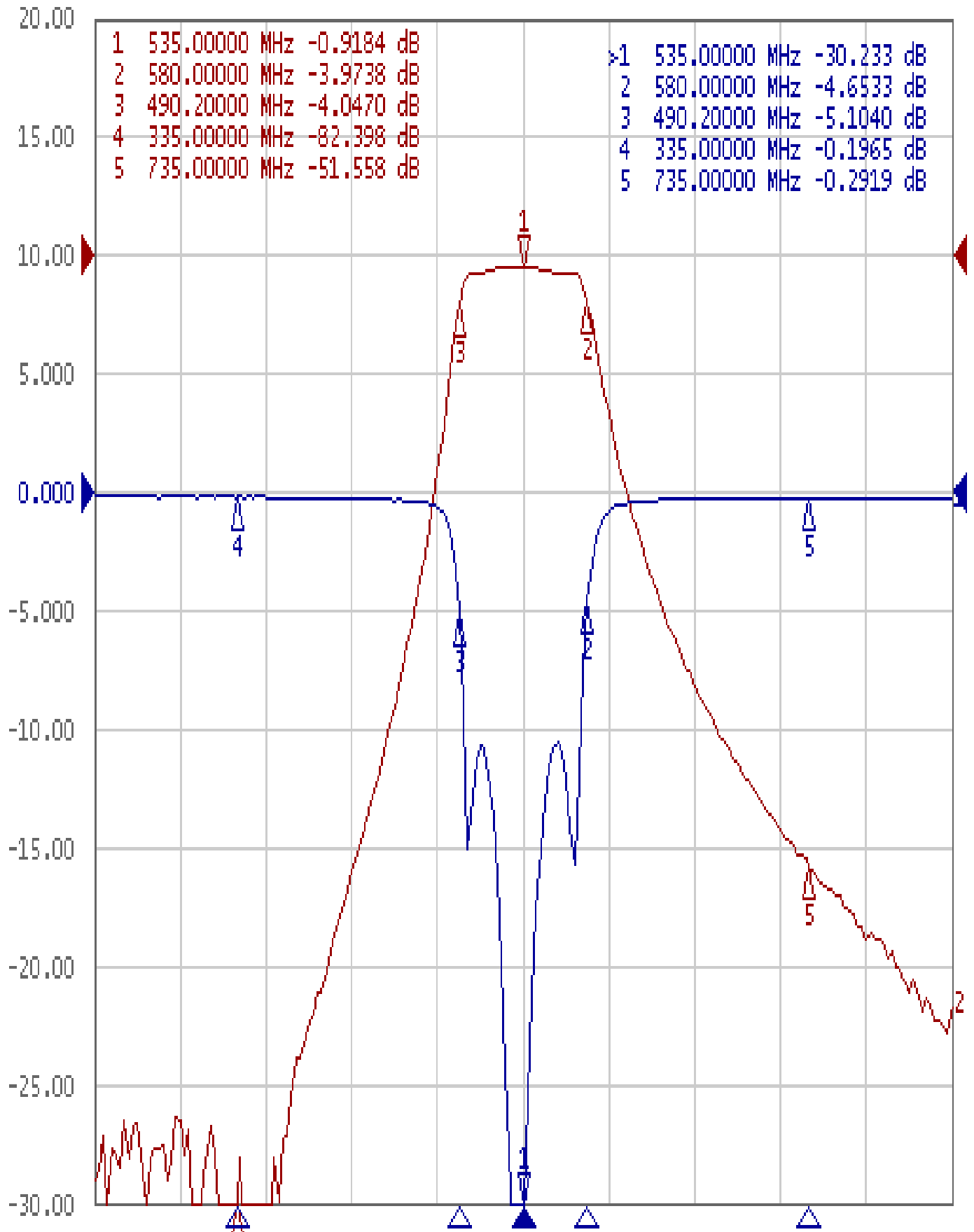
Approval	Supervisor	Designer	Aperture size
C.Y.Chang	C.K.Chang	W.W.Wang	7H4S(4*5.5)(5.57) 7H046RB56.5(J1)

TEMWELL CORPORATION

Performance-TF69873B-535M

201703058CD

Tr1 S11 Log Mag 5.000dB/ Ref 0.000dB [F2]
Tr2 S21 Log Mag 10.00dB/ Ref 0.000dB [F2]



1 Center 535 MHz

IFBW 70 kHz

Span 600 MHz Cor !