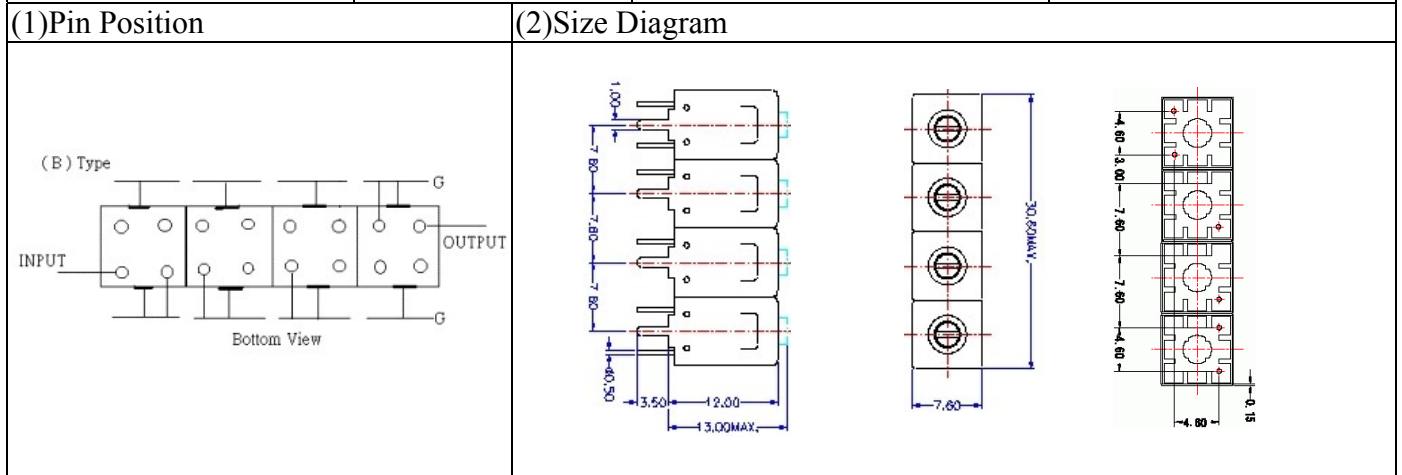


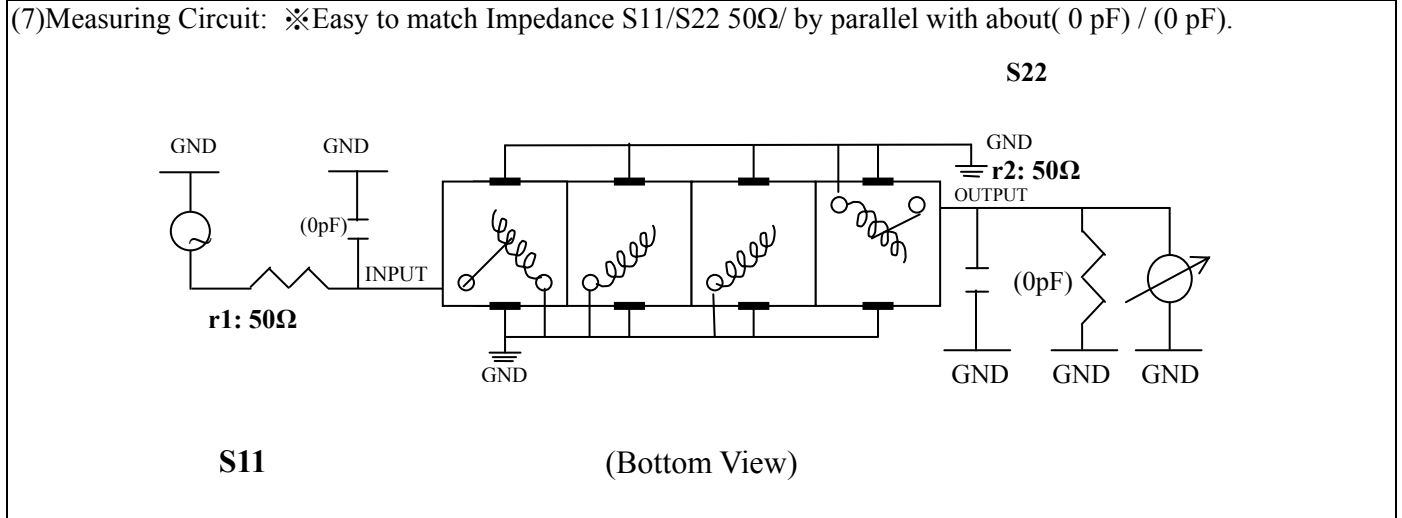
# VHF UHF Helical Filter Specification Sheet

Customer Name		Temwell's Part No.	TF6986B-172.5M
Approval No. /dated	0512023APR	Acceptable Specify Fo Range	166~195MHz
Work Instruction No.	0512023DB	Date	Dce.16.2005



Item		Specify	Performance
Center Freq. (Fo) +/- 0.5 %		172.5 MHz	172.5 MHz
Insertion Loss		Typ. 4.5 dB	3.57 dB
-3 dB Bandwidth		Typ. 8 MHz	9.0 MHz
Sensitivity (Attenuation)	Fo - 20 MHz	Typ. 60 dBc	63 dBc
	Fo + 20 MHz	Typ. 42 dBc	45 dBc
	Fo - ( )MHz	Typ. dBc	dBc
	Fo + ( )MHz	Typ. dBc	dBc
Return Loss		Min. 12 dB	31.0 dB
Ripple		< 1 dB	dB
Impedance		In / Out : 50 Ω	In / Out : 50 Ω
(4) Torque for Tuning Screw		> 100gf · cm	

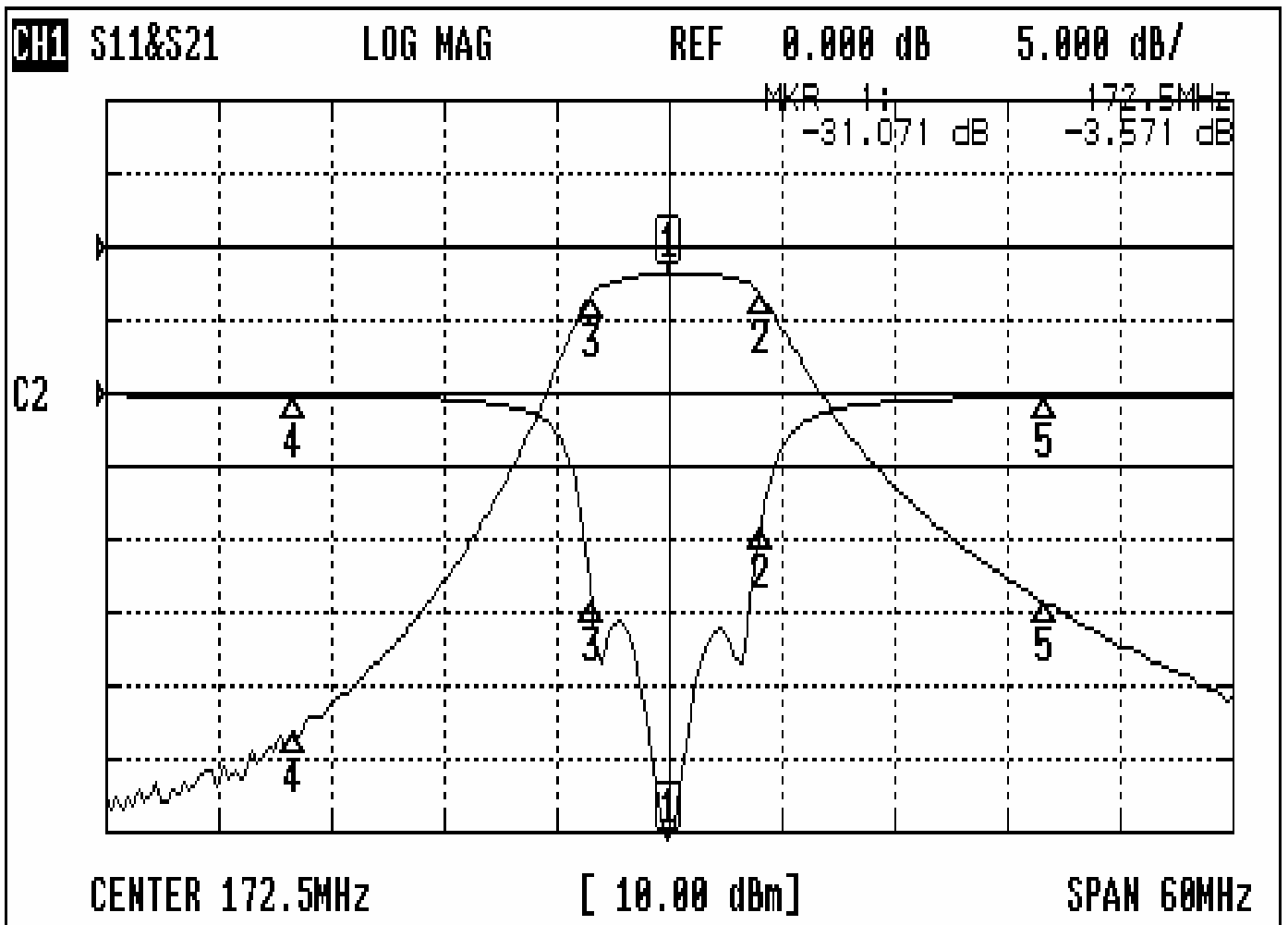
(5) Temperature Condition:	
Operating Temperature	0°C ~ +60°C
Storage Temperature	-20°C ~ +70°C
(6) Input Power	> 1Watt



Approval	Supervisor	Designer	Aperture size
C.Y. Chang	C.S. Chang	P.H. Chiang	7H4(4*6.5)(6.58) 7H046RB4
TEMWELL CORPORATION			

# Performance-TF6986B-172.5M

## 0512023DB



### CH1 MARKER LIST

1:	172.500MHz	-31.071 dB	-3.571 dB
2:	177.400MHz	-9.187 dB	-6.514 dB
3:	168.400MHz	-14.265 dB	-6.595 dB
4:	152.500MHz	-0.188 dB	-67.215 dB
5:	192.500MHz	-0.268 dB	-48.589 dB
6:			
7:			
8:			
9:			
10:			