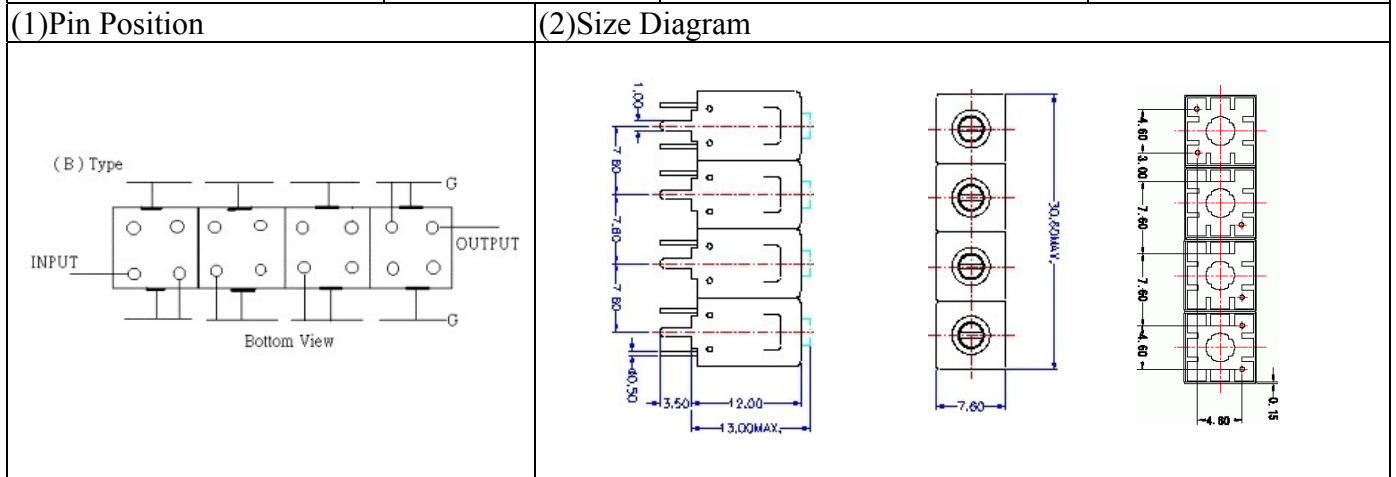


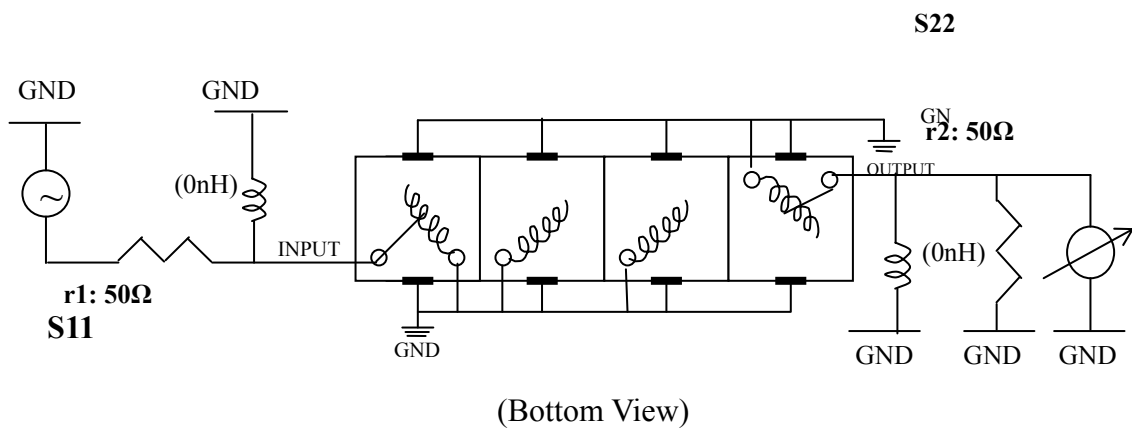
VHF UHF Helical Filter Specification Sheet

Customer Name		Temwell's Part No.	TF69869B-350M
Approval No. /dated	0801038APR	Acceptable Specify Fo Range	311~355MHz
Work Instruction No.	0801038CD	Date	Jan.17.2008



(3) Electric Characteristic			
Item		Specify	Performance
Center Freq.(Fo) +/- 0.5 %		350 MHz	350 MHz
Insertion Loss		Typ. 1.5 dB	0.61 dB
-3 dB Bandwidth		Typ. 88 MHz	90.6 MHz
Sensitivity (Attenuation)	Fo - 100 MHz	Typ. 44 dBc	47 dBc
	Fo + 100 MHz	Typ. 25 dBc	28 dBc
	Fo - ()MHz	Typ. dBc	dBc
	Fo +()MHz	Typ. dBc	dBc
Return Loss		Min. 12 dB	29.6 dB
Ripple		< 1 dB	dB
Impedance		In / Out : 50 Ω	In / Out : 50 Ω
(4) Torque for Tuning Screw		> 100gf · cm	
(5) Temperature Condition:			
Operating Temperature		0°C ~ +60°C	
Storage Temperature		-20°C ~ +70°C	
(6) Input Power		> 1Watt	

(7) Measuring Circuit: ※Easy to match Impedance S11/S22 50/75Ω by parallel with about(0 nH) / (0 nH).

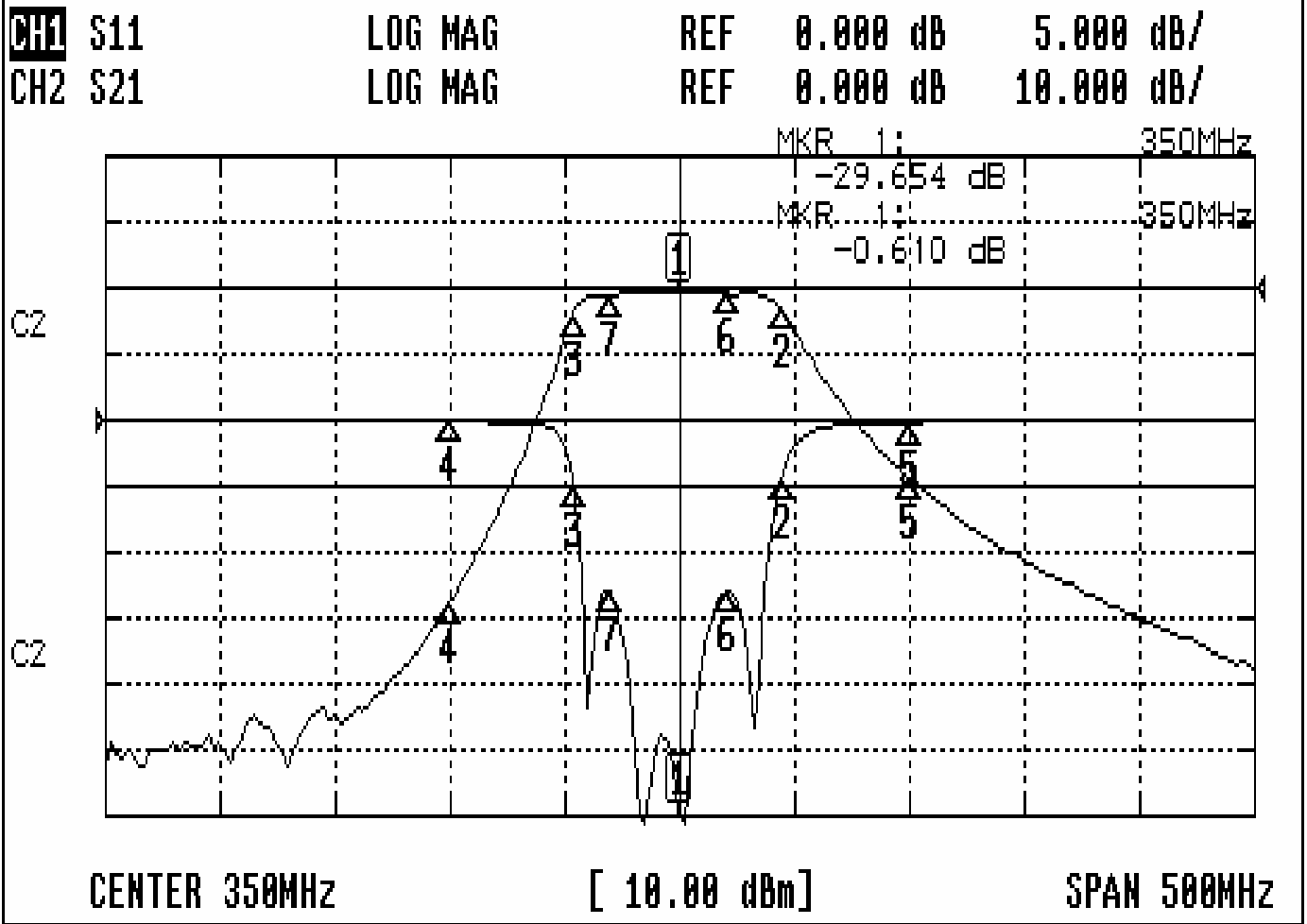


Approval	Supervisor	Designer	Aperture size
C.Y.Chang	C.S.Chang	Y.H.Yeh	7H4(4*8.0) 7H046RB6.5

TEMWELL CORPORATION

Performance-TF69869B-350M

0801038CD



CH1 MARKER LIST

1:	350.000MHz	-29.654	dB
2:	394.780MHz	-4.171	dB
3:	304.166MHz	-5.083	dB
4:	250.000MHz	-0.109	dB
5:	450.000MHz	-0.159	dB
6:	370.833MHz	-13.050	dB
7:	319.166MHz	-13.013	dB

CH2 MARKER LIST

1:	350.000MHz	-0.610	dB
2:	394.780MHz	-3.621	dB
3:	304.166MHz	-3.641	dB
4:	250.000MHz	-47.672	dB
5:	450.000MHz	-28.754	dB
6:	370.833MHz	-0.885	dB
7:	319.166MHz	-1.011	dB