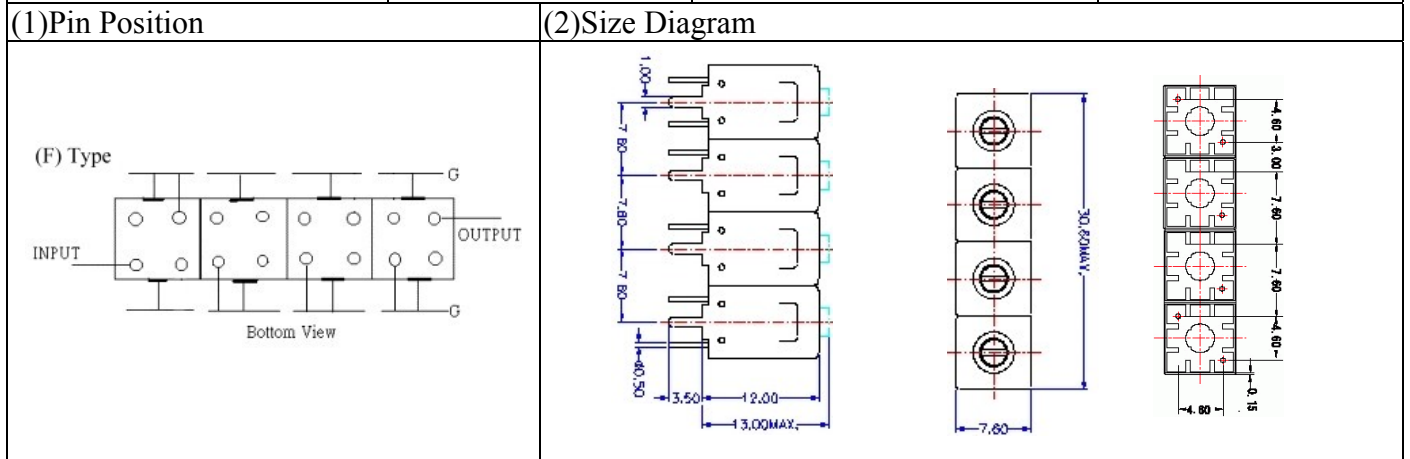


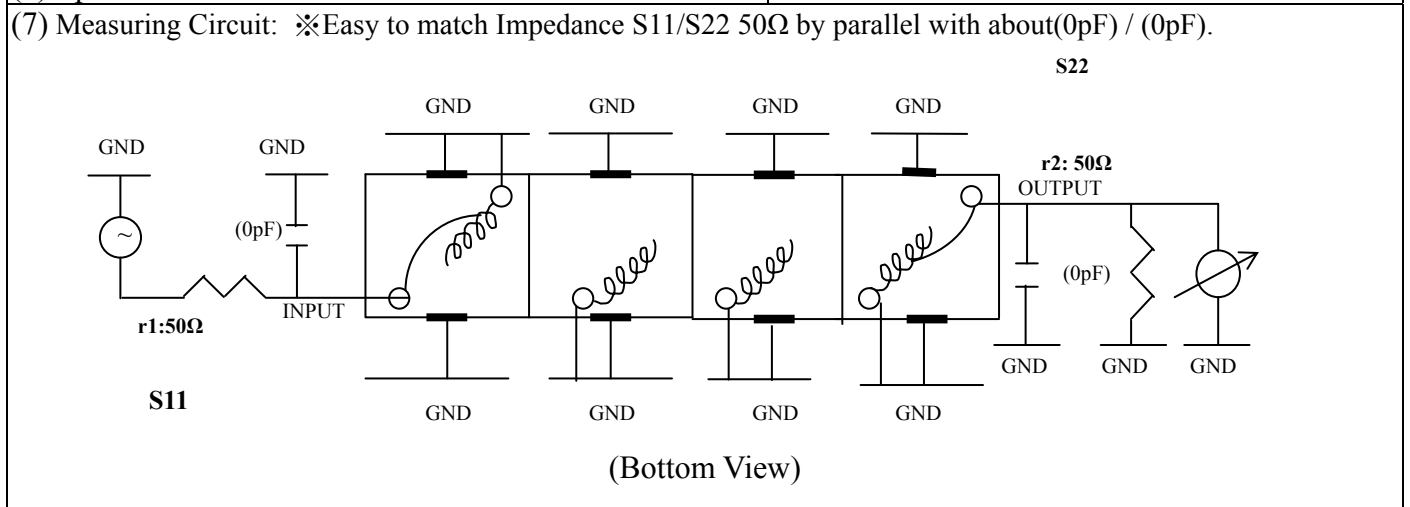
VHF UHF Helical Filter Specification Sheet

Customer Name		Temwell's Part No.	TF69862F-966.5M
Approval No. /dated	0811095APR	Temwell's Print name	69862F 966.5M
Work Instruction No.	200811095BD	Date	Nov.03.2008



Item		Specify	Performance
Center Freq.(Fo) +/- 0.5 %		966.5 MHz	966.5 MHz
Insertion Loss		Typ. 2.0 dB	1.04 dB
-1 dB Bandwidth		Typ. 100 MHz	106.0 MHz
-3 dB Bandwidth		Typ. 110 MHz	120.7 MHz
Sensitivity (Attenuation)	Fo - (200) MHz	Typ. 50 dBc	53 dBc
	Fo + (200) MHz	Typ. 48 dBc	51 dBc
	Fo - () MHz	Typ. dBc	dBc
	At + MHz	Typ. dBc	dBc
Return Loss		Min. 12 dB	34.2 dB
Ripple		< 1 dB	dB
Impedance		In / Out : 50 Ω	In / Out : 50 Ω

(4) Torque for Tuning Screw	> 100gf · cm
(5) Temperature Condition:	
Operating Temperature	0°C ~ +60°C
Storage Temperature	-20°C ~ +70°C
(6) Input Power	> 1Watt

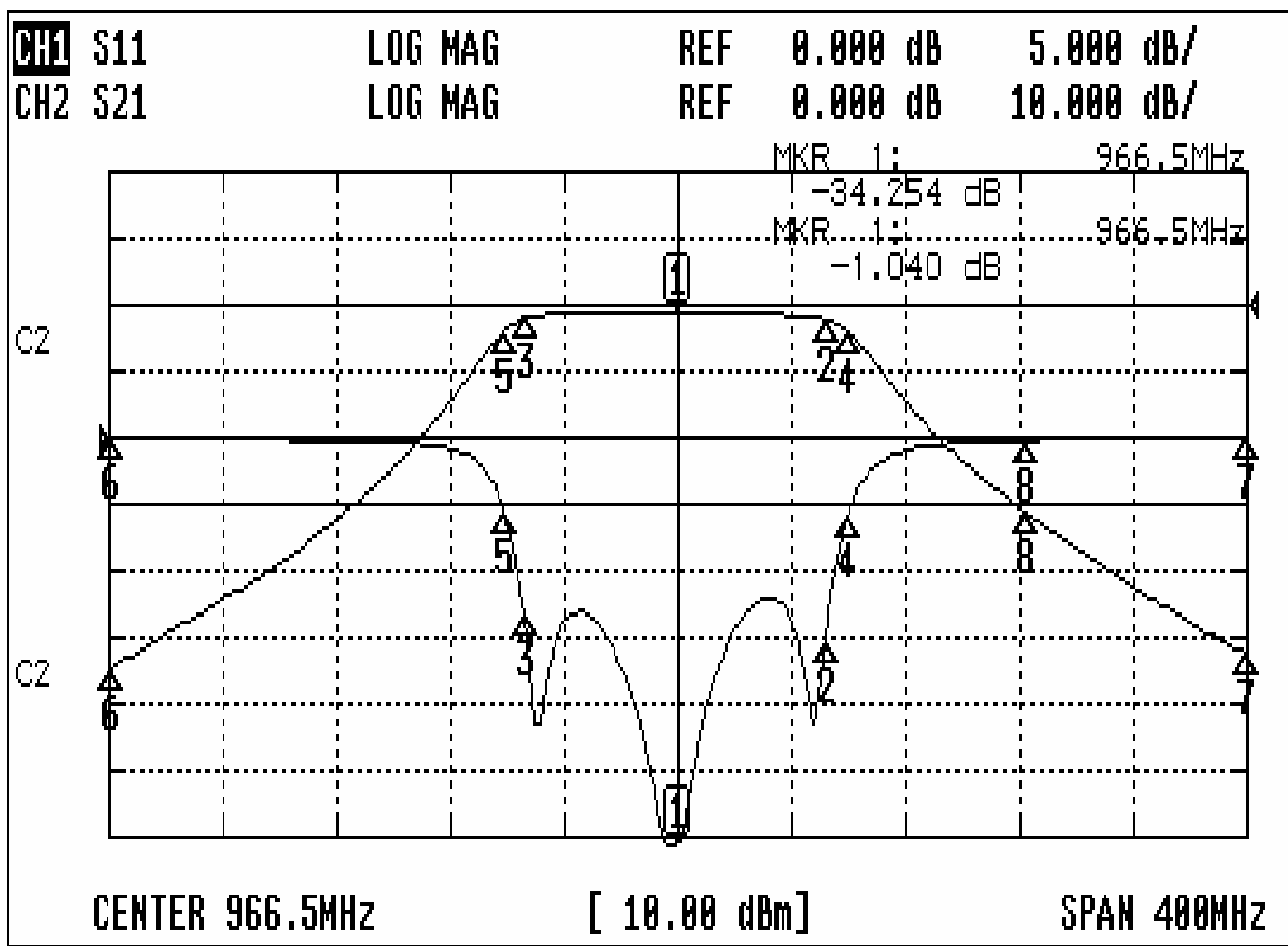


Approval	Supervisor	Designer	Aperture size
C.Y.Chang	C.S.Chang	P.H.Chiang	7H4(4*6.5F) 7H046RB6.5

TEMWELL CORPORATION

Performance-TF69862F-966.5M

200811095BD



CH1 MARKER LIST

1:	966.500MHz	-34.254 dB
2:	1.018500GHz	-15.230 dB
3:	912.500MHz	-13.263 dB
4:	1.026500GHz	-15.750 dB
5:	905.833MHz	-15.611 dB
6:	766.500MHz	-0.082 dB
7:	1.166500GHz	-0.011 dB
8:	1.089000GHz	-0.164 dB
9:		
10:		

CH2 MARKER LIST

1:	966.500MHz	-1.040 dB
2:	1.018500GHz	-2.075 dB
3:	912.500MHz	-2.050 dB
4:	1.026500GHz	-4.076 dB
5:	905.833MHz	-4.010 dB
6:	766.500MHz	-54.534 dB
7:	1.166500GHz	-52.588 dB
8:	1.089000GHz	-31.135 dB
9:		
10:		