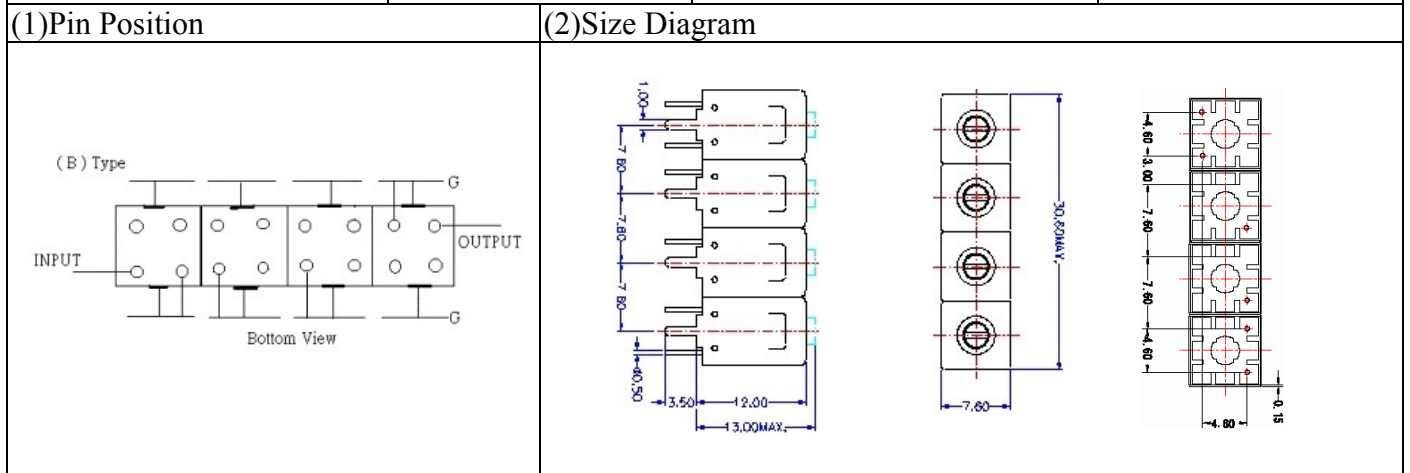


VHF UHF Helical Filter Specification Sheet

Customer Name		Temwell's Part No.	TF69861B-925M
Approval No. /dated	201206079CD	Temwell's Print Name.	69861B 925M
Work Instruction No.	201206079CD	Date	Jul.12.2012



(3) Electric Charasteric

Item	Specify	Performance
Center Freq.(Fo) +/- 0.5 %	925 MHz	925 MHz
Insertion Loss	Typ. 2.0 dB	1.25 dB
-3 dB Bandwidth	Typ. 120 MHz	127.6 MHz
Sensitivity (Attenuation)	Fo - 150 MHz	Typ. 46 dBc
	Fo + 150 MHz	Typ. 26 dBc
	Fo - ()MHz	Typ. dBc
	Fo +()MHz	Typ. dBc
Return Loss	Min. 12 dB	19.1 dB
Ripple	< 1 dB	
Impedance	In / Out : 50 Ω	In / Out : 50 Ω

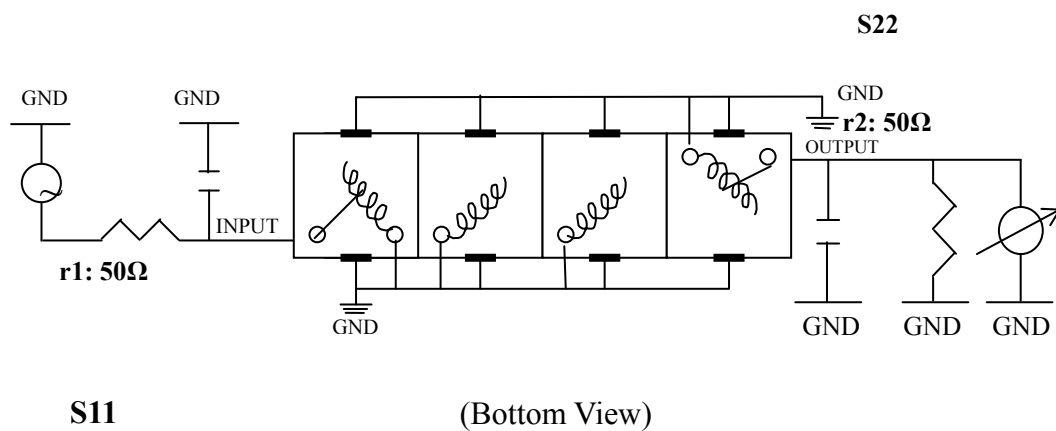
(4) Torque for Tuning Screw > 60gf • cm

(5) Temperature Condition:

Operating Temperature	0°C ~ +60°C
Storage Temperature	-20°C ~ +70°C

(6) Input Power > 1Watt

(7) Measuring Circuit: ※Easy to match Impedance S11/S22 50Ω/ by parallel with about(--)



Approval	Supervisor	Designer	Aperture size
C.Y.Chang	C.K.Chang	C.S.Chang	7H4S(4*8.0)(8.02) 7H046RB6.5

TEMWELL CORPORATION

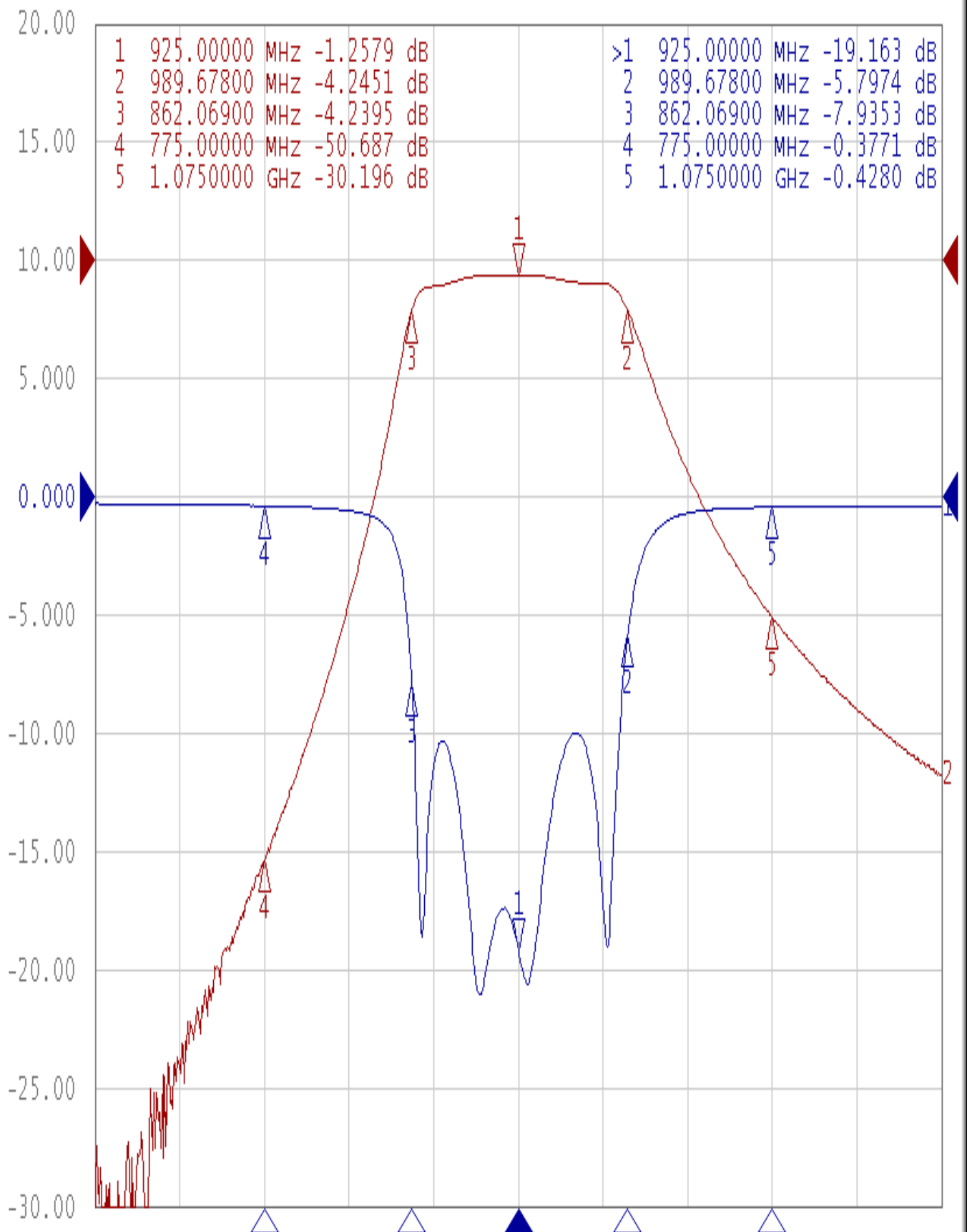
TEMWELL

RP:(C.S.C)

Performance-TF69861B-925M

201206079CD

Tr1 S11 Log Mag 5.000dB/ Ref 0.000dB [F2]
Tr2 S21 Log Mag 10.00dB/ Ref 0.000dB [F2]



1 Center 925 MHz

IFBW 10 kHz

Span 500 MHz Cor !