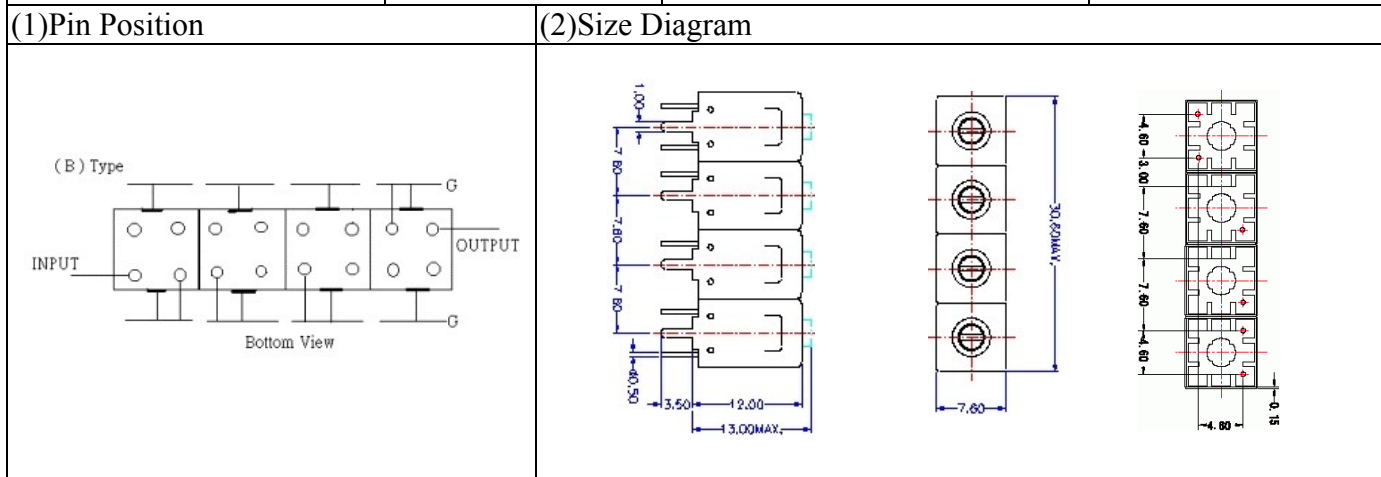


VHF UHF Helical Filter Specification Sheet

Customer Name		Temwell's Part No.	TF69853B-240M
Approval No. /dated	0712070APR	Acceptable Specify Fo Range	221~245MHz
Work Instruction No.	0712070BD	Date	Jan.03.2008



(3) Electric Characteristic

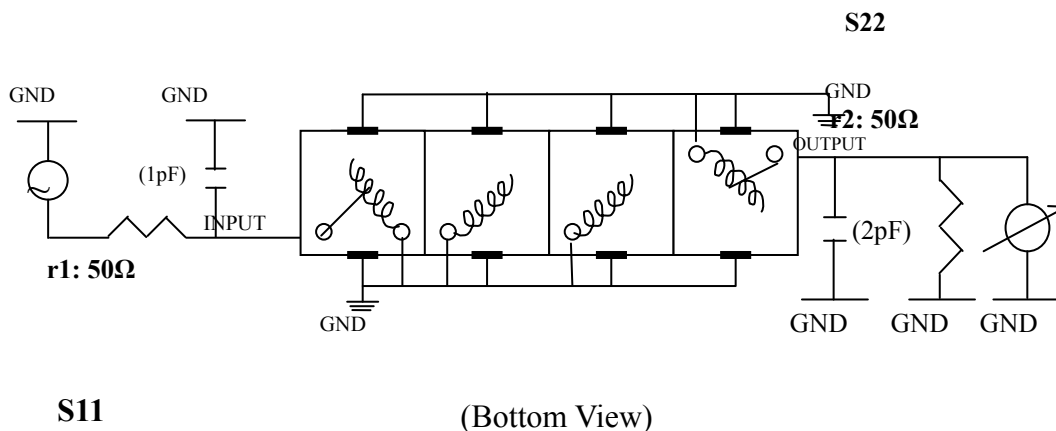
Item	Specify	Performance
Center Freq.(Fo) +/- 0.5 %	240 MHz	240 MHz
Insertion Loss	Typ. 1.5 dB	0.84 dB
-3 dB Bandwidth	Typ. 60 MHz	61.3 MHz
Sensitivity (Attenuation)	Fo - 100 MHz	Typ. 60 dBc
	Fo + 100 MHz	Typ. 37 dBc
	Fo - ()MHz	Typ. dBc
	Fo +()MHz	Typ. dBc
Return Loss	Min. 12 dB	16.2 dB
Ripple	< 1 dB	
Impedance	In / Out : 50 Ω	In / Out : 50 Ω
(4) Torque for Tuning Screw	> 100gf · cm	

(5) Temperature Condition:

Operating Temperature	0°C ~ +60°C
Storage Temperature	-20°C ~ +70°C

(6) Input Power

(7) Measuring Circuit: ※Easy to match Impedance S11/S22 50Ω/ by parallel with about(0 pF) / (0 pF).



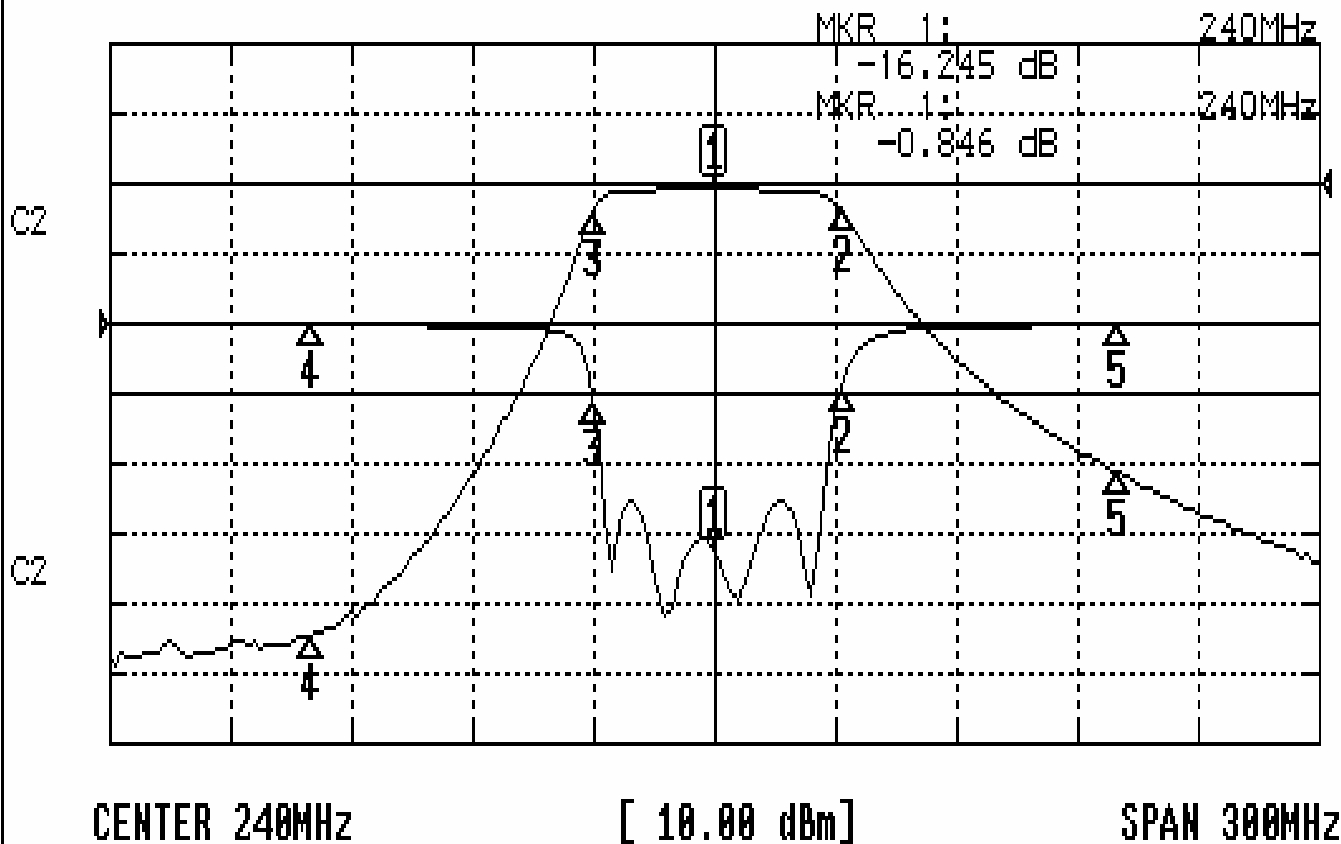
Approval	Supervisor	Designer	Aperture size
C.Y.Chang	C.S.Chang	P.H.Chiang	7H4(4*8.0)F 7H046RB6.5

TEMWELL CORPORATION

Performance-TF69853B-240M

0712070BD

CH1 S11 LOG MAG REF 0.000 dB 5.000 dB/
CH2 S21 LOG MAG REF 0.000 dB 10.000 dB/



CH1 MARKER LIST

1	240.000MHz	-16.245 dB
2	271.500MHz	-4.602 dB
3	210.250MHz	-15.652 dB
4	140.000MHz	-0.115 dB
5	340.000MHz	-0.104 dB

CH2 MARKER LIST

1	240.000MHz	-0.844 dB
2	271.500MHz	-13.819 dB
3	210.250MHz	-33.840 dB
4	140.000MHz	-63.921 dB
5	340.000MHz	-41.347 dB