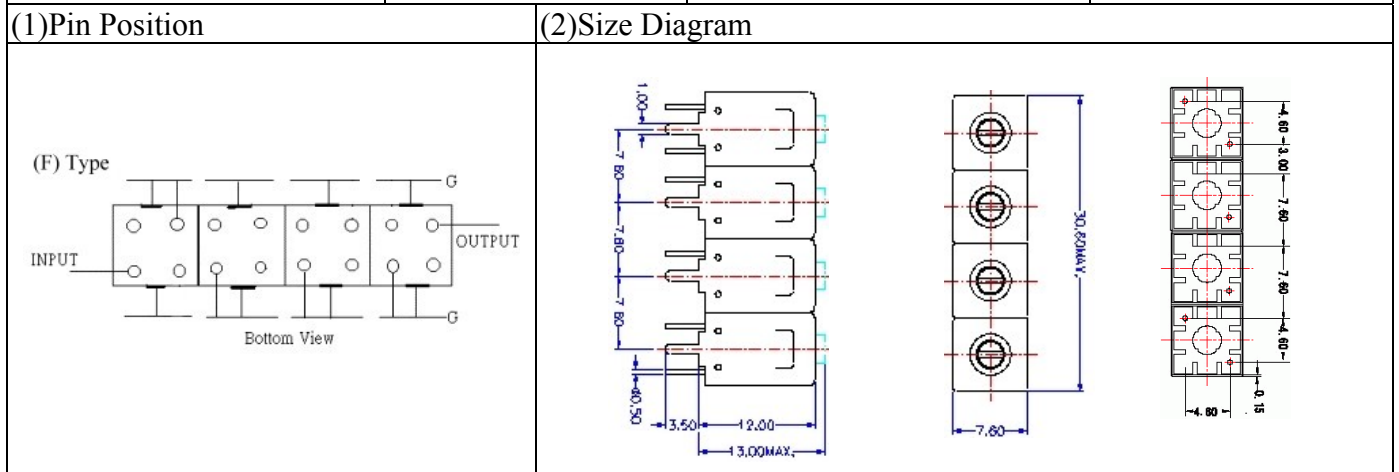


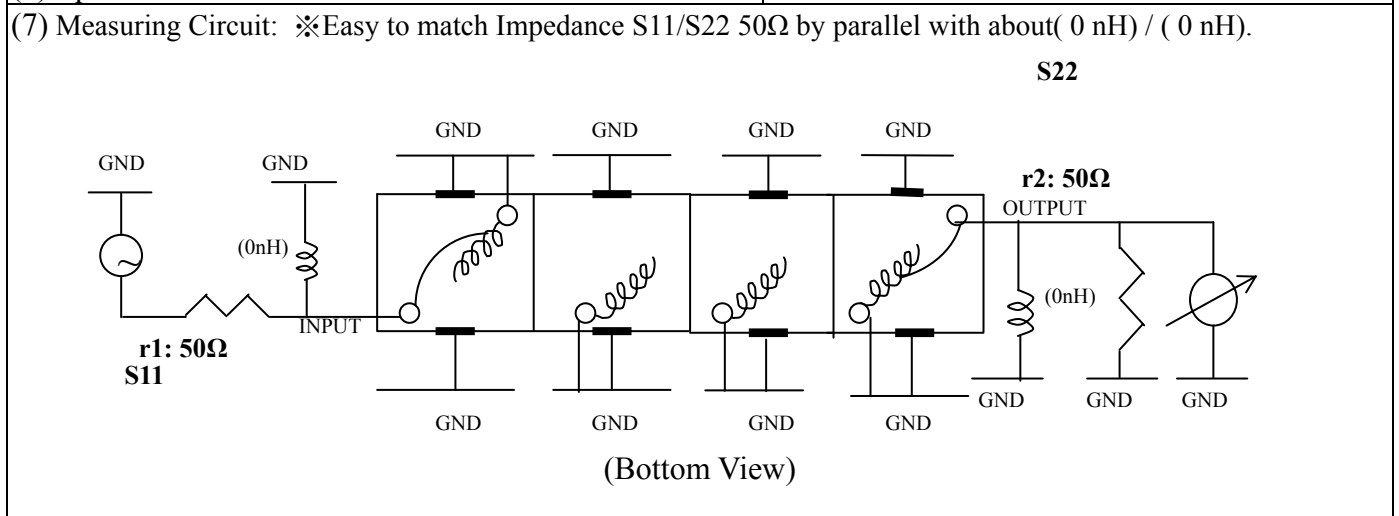
VHF UHF Helical Filter Specification Sheet

Customer Name		Temwell's Part No.	TF69844F-630M
Approval No. /dated	0906011CD	Temwell's Print name.	69844F 630M
Work Instruction No.	200906011CD	Date	Jun.10.2009



(3) Electric Characteristic			
Item	Specify	Performance	
Center Freq.(Fo) +/- 0.5 %	630 MHz	630 MHz	
Insertion Loss	Typ. 3.5 dB	2.79 dB	
-3 dB Bandwidth	Typ. 18 MHz	21.6 MHz	
Sensitivity (Attenuation)	Fo - 50 MHz	Typ. 57 dBc	60 dBc
	Fo + 50 MHz	Typ. 58 dBc	61 dBc
	Fo - ()MHz	Typ. dBc	dBc
	Fo +()MHz	Typ. dBc	dBc
Return Loss	Min. 12 dB	20.1 dB	
Ripple	< 1 dB	dB	
Impedance	In / Out : 50 Ω	In / Out : 50 Ω	
(4) Torque for Tuning Screw	> 60gf • cm		

(5) Temperature Condition:	
Operating Temperature	0°C ~ +60°C
Storage Temperature	-20°C ~ +70°C
(6) Input Power	> 1 Watt

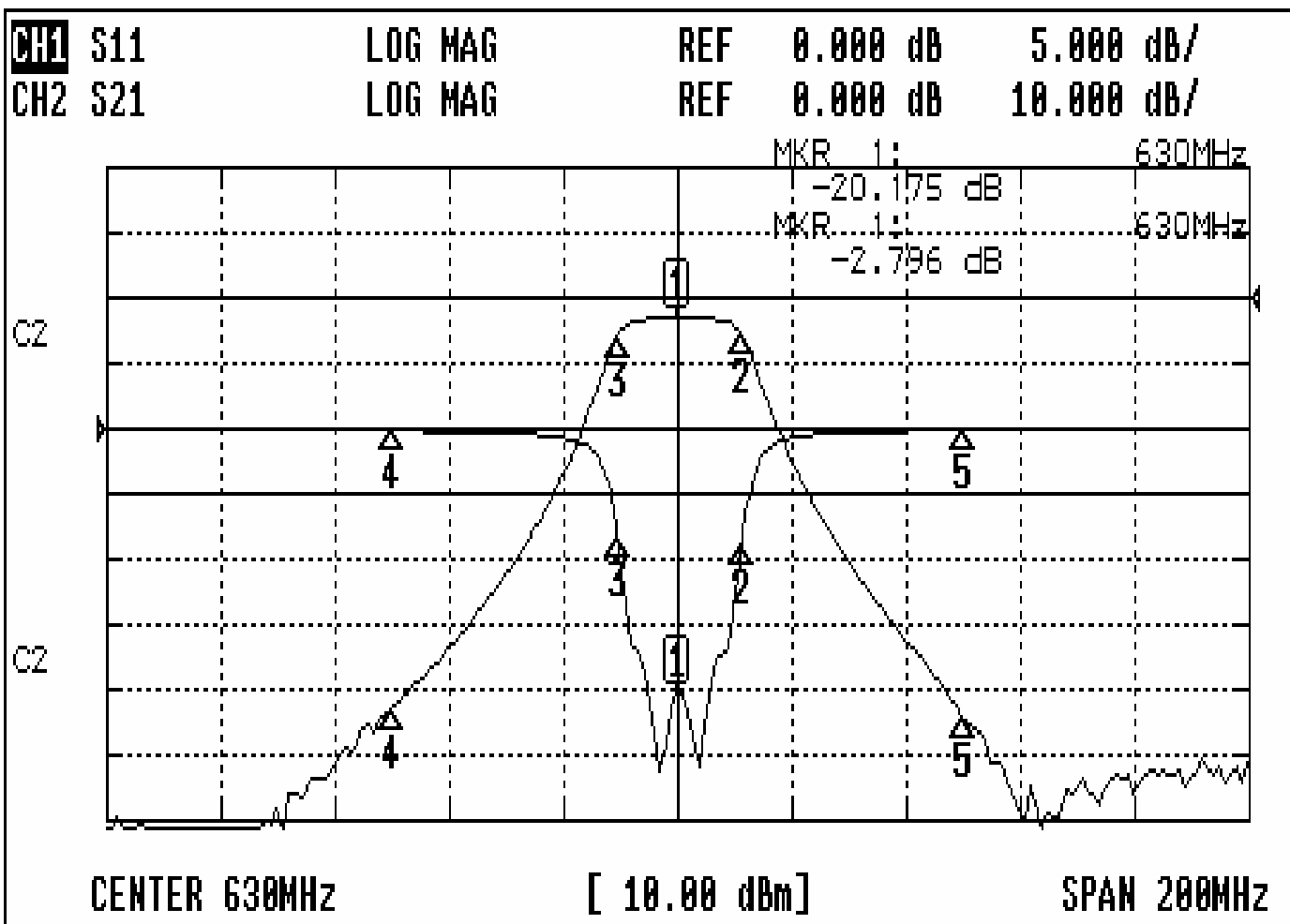


Approval	Supervisor	Designer	Aperture size
C.Y.Chang	C.K.Chang	Y.H.Yeh	7H4S(4*5.5)(5.53) 7H046RB4

TEMWELL CORPORATION

Performance-TF69844F-630M

200906011CD



CH1 MARKER LIST

1	630.000MHz	-20.180 dB	
2	641.390MHz	-100.623 dB	
3	619.740MHz	-100.582 dB	
4	580.000MHz	-100.121 dB	
5	680.000MHz	-100.117 dB	

CH2 MARKER LIST

1	630.000MHz	-2.796 dB	
2	641.390MHz	-101.104 dB	
3	619.740MHz	-101.107 dB	
4	580.000MHz	-63.239 dB	
5	680.000MHz	-64.026 dB	