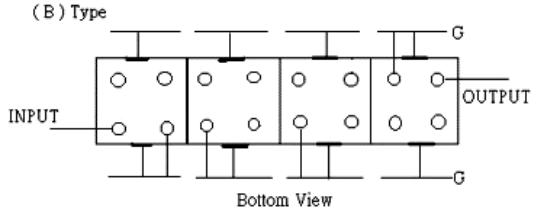
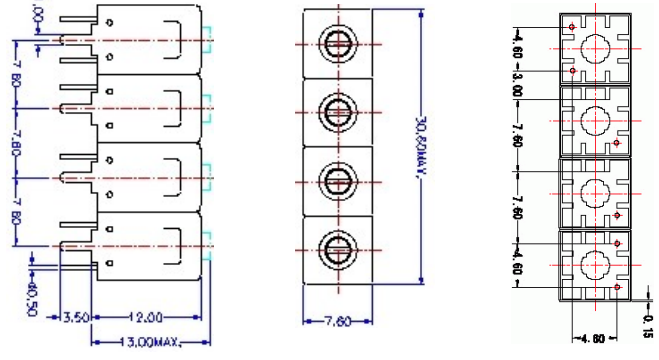


# VHF UHF Helical Filter Specification Sheet

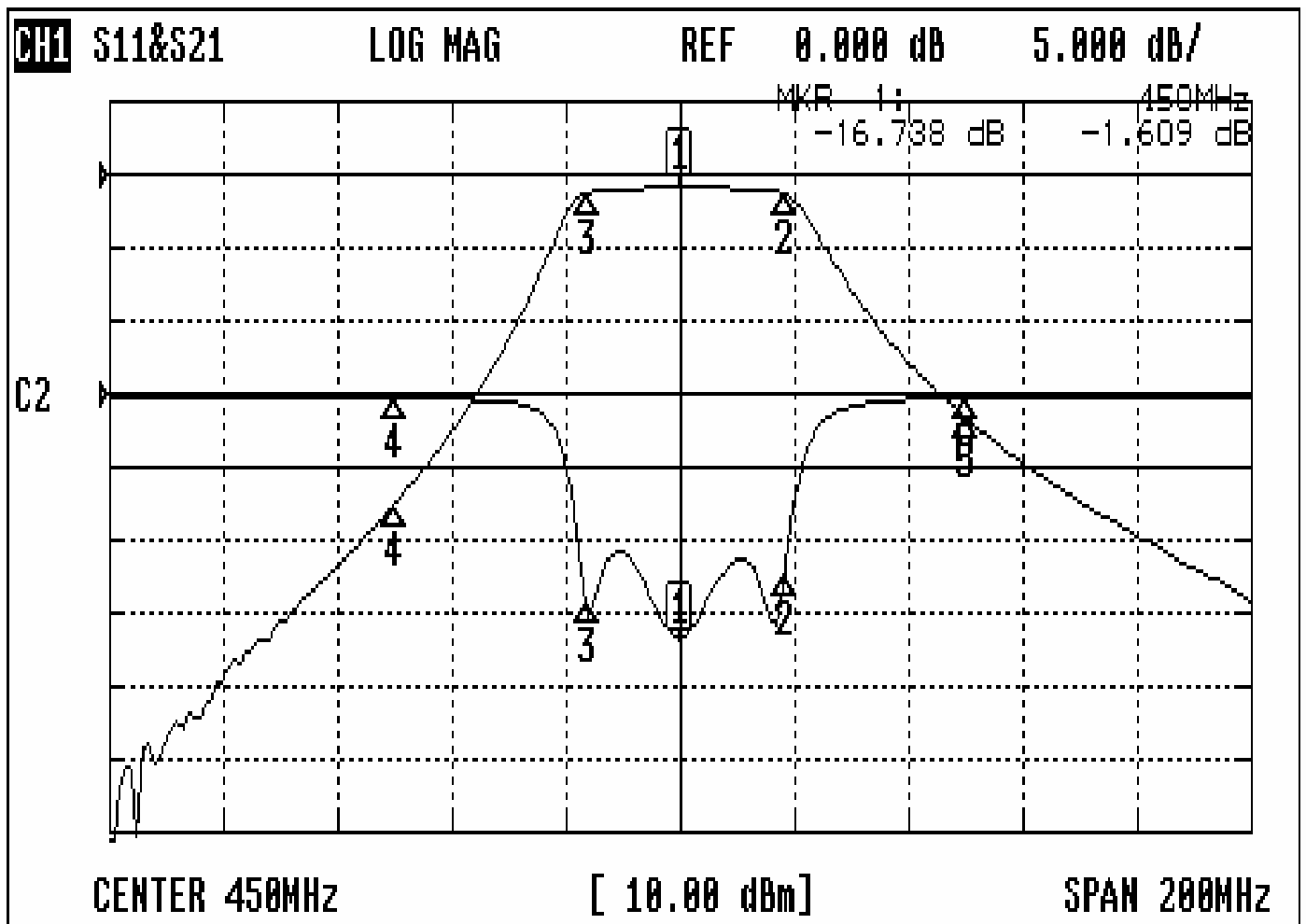
Customer Name		Temwell's Part No.	TF6982B-450M
Approval No. /dated	20403002DB	Acceptable Specify Fo.Range	401~455MHz
Work Instruction No.	20403002DB	Date	Mar 03.2004

(1)Pin Position	(2)Size Diagram
 <p>(B) Type</p> <p>INPUT</p> <p>OUTPUT</p> <p>Bottom View</p>	

(3)Electric Charasteric			
Item		Specify	Performance
Center Freq.(Fo ) +/- 0.5 %		450 MHz	450 MHz
Insertion Loss		Typ. 2.5 dB	1.60 dB
-1 dB Bandwidth		Typ. 32 MHz	34.8 MHz
-3 dB Bandwidth		Typ. 37 MHz	40 MHz
Sensitivity (Attenuation )	Fo - 50 MHz	Typ. 40 dBc	43 dBc
	Fo + 50 MHz	Typ. 29 dBc	32 dBc
	Fo - ( )MHz	Typ. dBc	dBc
	Fo +( )MHz	Typ. dBc	dBc
Return Loss		Min. 12 dB	16.7 dB
Ripple		< 1 dB	dB
Impedance		In / Out : 50 Ω	In / Out : 50 Ω
(4)Torque for Tuning Screw		> 100gf • cm	
(5)Temperature Condition:			
Operating Temperature		0°C ~ +60°C	
Storage Temperature		-20°C ~ +70°C	
(6)Input Power		> 1Watt	
Approval	Supervisor	Designer	Aperture size
C. Y. Chang	C. S. Chang	C. S. Chang	7H4S(4*6.5) 7H046LB5
TEMWELL CORPORATION			

# Performance-TF6982B-450M

## 20403002DB



### CH1 MARKER LIST

1:	450.000MHz	-16.738 dB	-1.609 dB
2:	468.333MHz	-12.423 dB	-2.595 dB
3:	433.500MHz	-14.368 dB	-2.593 dB
4:	400.000MHz	-0.270 dB	-45.059 dB
5:	500.000MHz	-0.282 dB	-33.208 dB
6:			
7:			
8:			
9:			
10:			