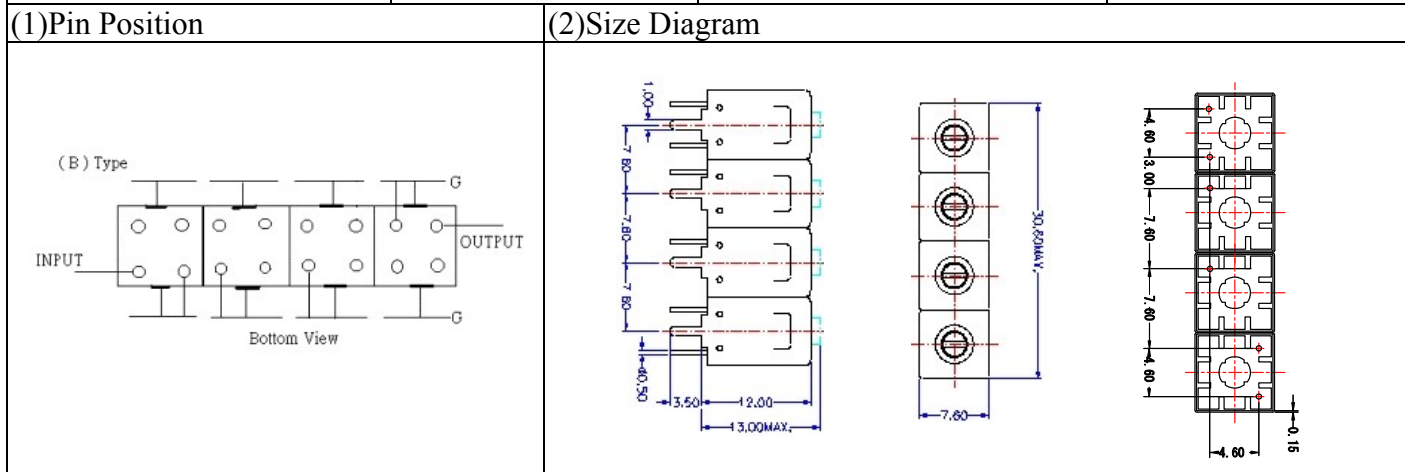


VHF UHF Helical Filter Specification Sheet

Customer Name		Temwell's Part No.	TF69827B-585M
Approval No. /dated	201703062CD	Temwell's Print Name	69827B 585M
Work Instruction No.	201703062CD	Date	Jun.09.2017



(3) Electric Characteristic

Item	Specify	Performance
Center Freq.(Fo) +/- 0.5 %	585 MHz	585 MHz
Insertion Loss	Typ. 2.0 dB	1.43 dB
-3 dB Bandwidth	Typ. 50 MHz	54.8 MHz
Sensitivity (Attenuation)	Fo - 100 MHz	Typ. 55 dBc
	Fo +100 MHz	Typ. 35 dBc
	Fo - ()MHz	Typ. dBc
	Fo +()MHz	Typ. dBc
Return Loss	Min. 12 dB	21.1 dB
Ripple	< 1 dB	dB
Impedance	In / Out : 50 Ω	In / Out : 50 Ω

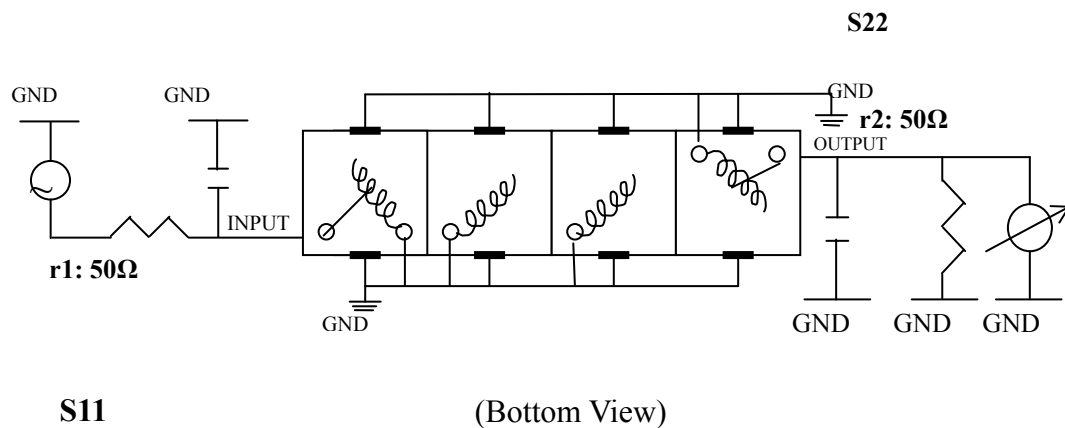
(4) Torque for Tuning Screw > 60gf • cm

(5) Temperature Condition:

Operating Temperature	0°C ~ +60°C
Storage Temperature	-20°C ~ +70°C

(6) Input Power > 1Watt

(7) Measuring Circuit: ※Easy to match Impedance S11/S22 50Ω by parallel with about(- -).



Approval	Supervisor	Designer	Aperture size
C.Y.Chang	C.K.Chang	P.H.Chiang	7H4S(4*5.6)(5.64) 7H046LB5.5-J2

TEMWELL CORPORATION

Performance-TF69827B-585M

201703062CD

Tr1 S11 Log Mag 5.000dB/ Ref 0.000dB [F2]
Tr2 S21 Log Mag 10.00dB/ Ref 0.000dB [F2]

