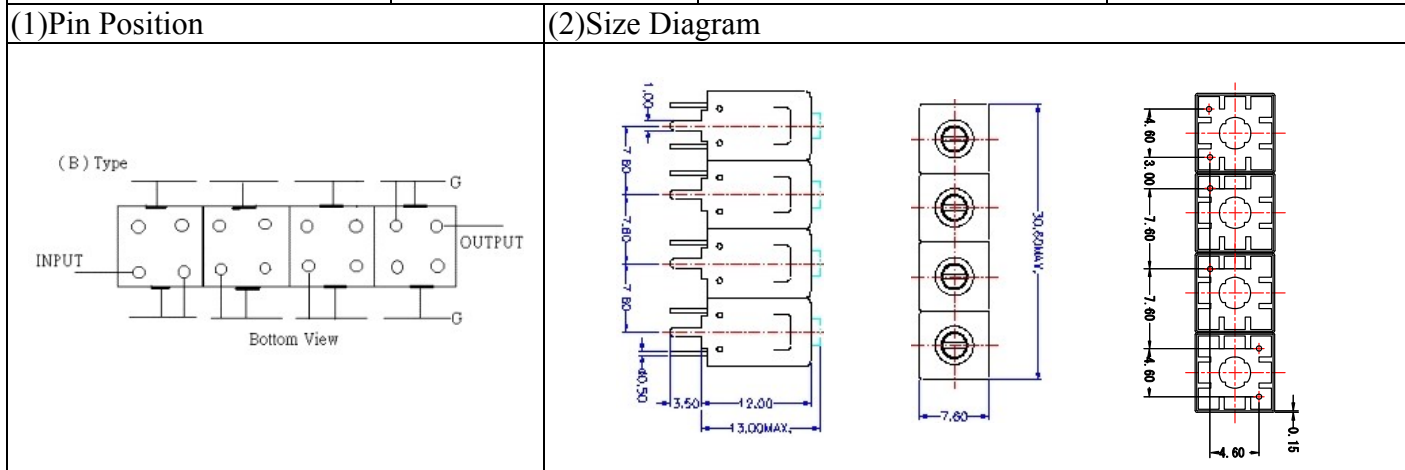


# VHF UHF Helical Filter Specification Sheet

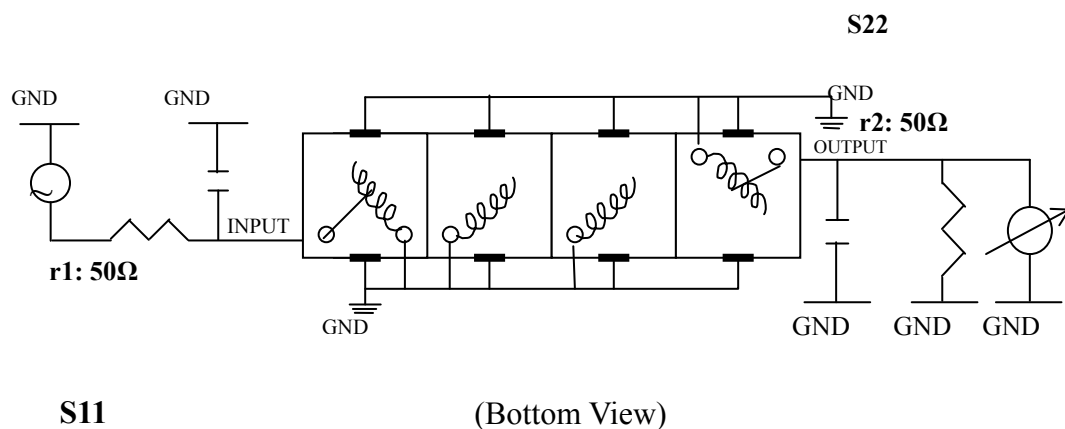
Customer Name		Temwell's Part No.	TF69812B-535M
Approval No. /dated	201703056CD	Temwell's Print Name	69812B 535M
Work Instruction No.	201703056CD	Date	Jun.08.2017



### (3) Electric Characteristic

Item	Specify	Performance
Center Freq.(Fo) +/- 0.5 %	535 MHz	535 MHz
Insertion Loss	Typ. 2.5 dB	1.55 dB
-3 dB Bandwidth	Typ. 40 MHz	45.0 MHz
Sensitivity (Attenuation)	Fo - 100 MHz	Typ. 70 dBc
	Fo +100 MHz	Typ. 43 dBc
	Fo - ( )MHz	Typ. dB
	Fo +( )MHz	Typ. dB
Return Loss	Min. 12 dB	22.7 dB
Ripple	< 1 dB	dB
Impedance	In / Out : 50 Ω	In / Out : 50 Ω
(4) Torque for Tuning Screw	> 60gf · cm	
(5) Temperature Condition:		
Operating Temperature	0°C ~ +60°C	
Storage Temperature	-20°C ~ +70°C	
(6) Input Power	> 1Watt	

(7) Measuring Circuit: ※Easy to match Impedance S11/S22 50Ω by parallel with about(--).



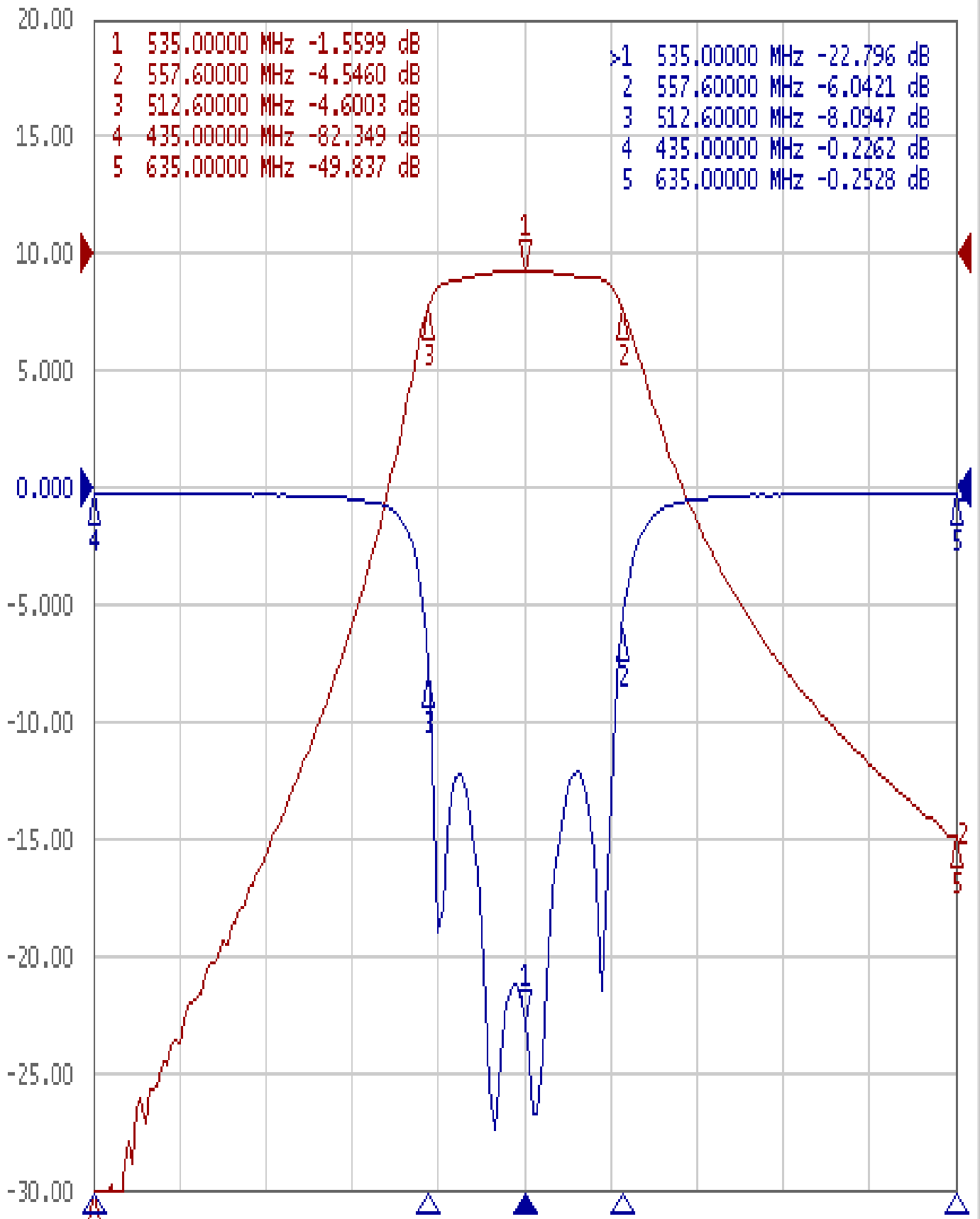
Approval	Supervisor	Designer	Aperture size
C.Y.Chang	C.K.Chang	W.W.Wang	7H4S(4*5.5)(5.57) 7H046RB5.5(J1)

TEMWELL CORPORATION

# Performance-TF69812B-535M

## 201703056CD

Tr1 S11 Log Mag 5.000dB/ Ref 0.000dB [F2]  
Tr2 S21 Log Mag 10.00dB/ Ref 0.000dB [F2]



1 Center 535 MHz

IFBW 70 kHz

Span 200 MHz Cor !