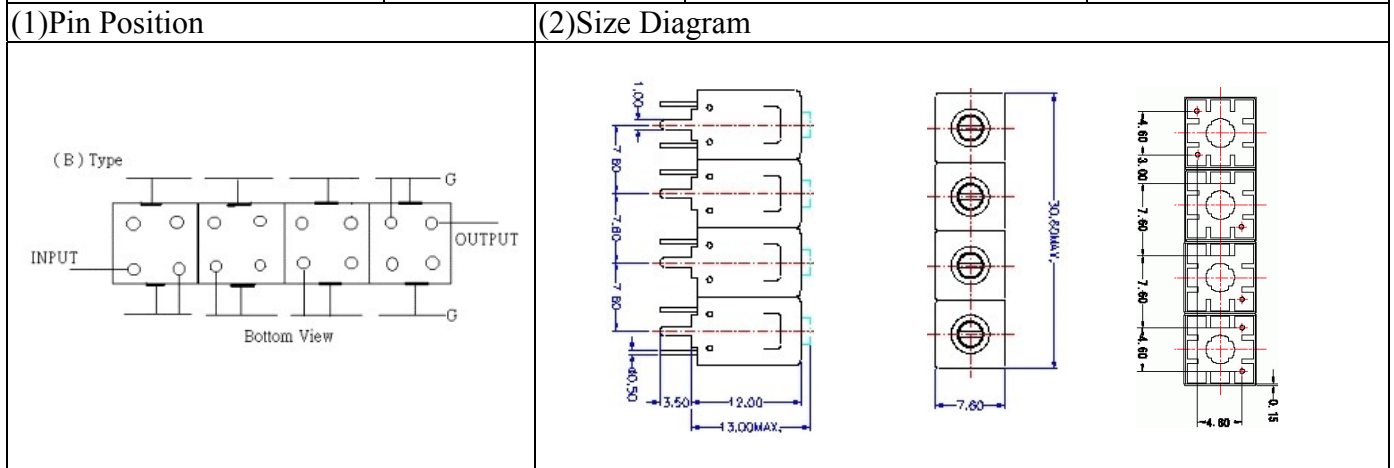


VHF UHF Helical Filter Specification Sheet

Customer Name		Temwell's Part No.	TF6980B-350M
Approval No. /dated	0901084CD	Temwell's Print Name	6980B 350M
Work Instruction No.	200901084CD	Date	Feb.19.2009



(3) Electric Characteristic

Item	Specify	Performance	
Center Freq.(Fo) +/- 0.5 %	350 MHz	350 MHz	
Insertion Loss	Typ. 2.0 dB	1.35 dB	
-3 dB Bandwidth	Typ. 36 MHz	38.8 MHz	
Sensitivity (Attenuation)	Fo - 50 MHz	Typ. 43 dBc	46 dBc
	Fo + 50 MHz	Typ. 30 dBc	33 dBc
	Fo - ()MHz	Typ. dBc	dBc
	Fo +()MHz	Typ. dBc	dBc
Return Loss	Min. 12 dB	26.9 dB	
Ripple	< 1 dB	dB	
Impedance	In / Out : 50 Ω	In / Out : 50 Ω	
(4) Torque for Tuning Screw	> 100gf • cm		

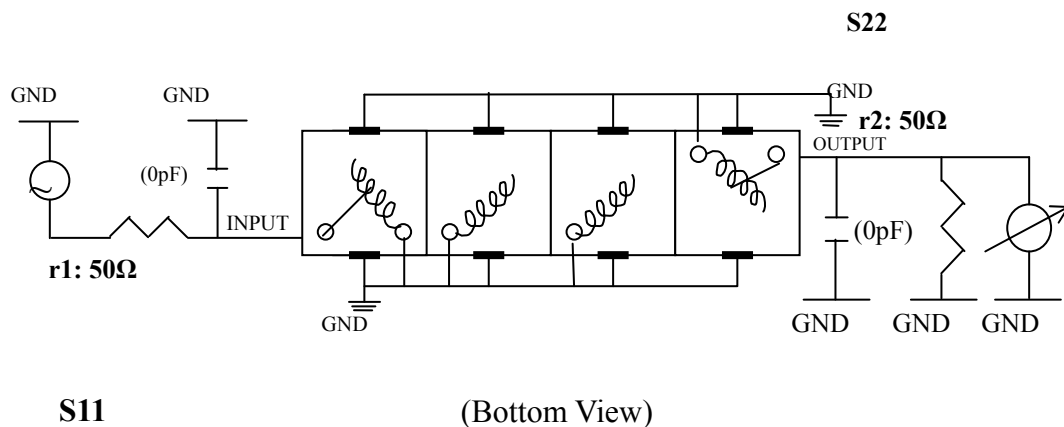
(5) Temperature Condition:

Operating Temperature	0°C ~ +60°C
Storage Temperature	-20°C ~ +70°C

(6) Input Power

> 1 Watt

(7) Measuring Circuit: ※Easy to match Impedance S11/S22 50Ω by parallel with about(0pF) / (0 pF).



Approval	Supervisor	Designer	Aperture size
C.Y.Chang	C.S.Chang	C.S.Chang	7H4(4*6.5F)(6.58) (7H046LB5.5)

TEMWELL CORPORATION

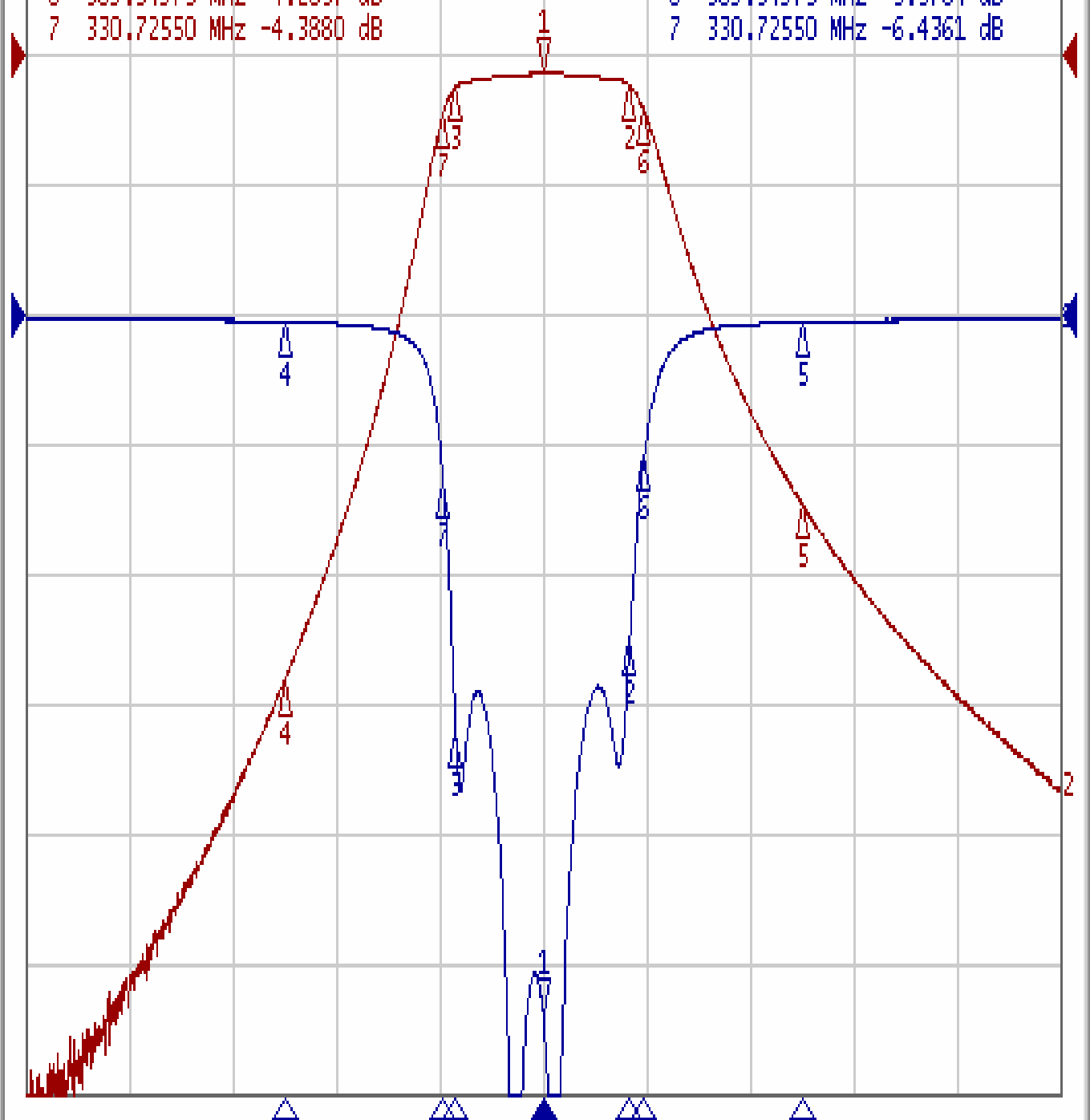
Performance-TF6980B-350M

200901084CD

Tr1 S11 Log Mag 5.000dB/ Ref 0.000dB [F3]
Tr2 S21 Log Mag 10.000dB/ Ref 0.000dB [F3]

1	350.00000 MHz	-1.3527 dB
2	366.74800 MHz	-2.2742 dB
3	333.12700 MHz	-2.3771 dB
4	300.00000 MHz	-48.158 dB
5	400.00000 MHz	-34.554 dB
6	369.54975 MHz	-4.2637 dB
7	330.72550 MHz	-4.3880 dB

>1	350.00000 MHz	-26.920 dB
2	366.74800 MHz	-12.507 dB
3	333.12700 MHz	-16.037 dB
4	300.00000 MHz	-0.2314 dB
5	400.00000 MHz	-0.2492 dB
6	369.54975 MHz	-5.3764 dB
7	330.72550 MHz	-6.4361 dB



1 Center 350 MHz

IFBW 10 kHz

Span 200 MHz

