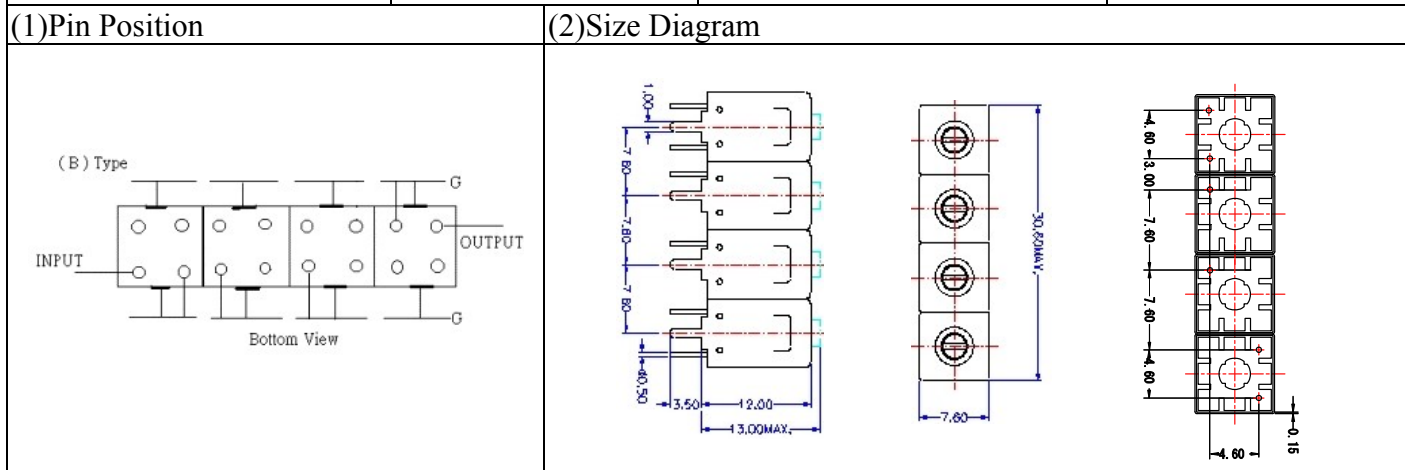


VHF UHF Helical Filter Specification Sheet

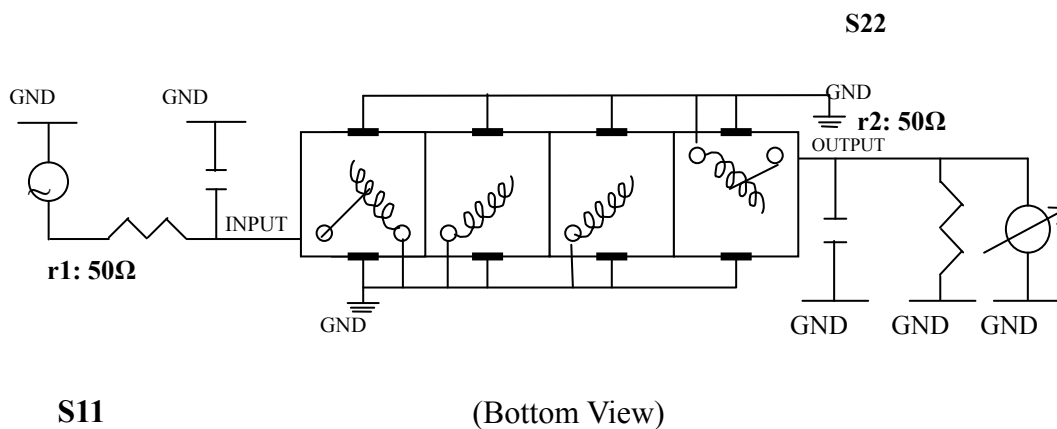
| | | | |
|----------------------|-------------|----------------------|-----------------|
| Customer Name | | Temwell's Part No. | TF69809B-1215M |
| Approval No. /dated | 201709016CD | Temwell's Print Name | 69809B 1215M |
| Work Instruction No. | 201709016CD | Date | Nov.07.2017 |



(3) Electric Charasteric

| Item | Specify | Performance | |
|------------------------------|-----------------|-----------------|--------|
| Center Freq.(Fo) +/- 0.5 % | 1215 MHz | 1215 MHz | |
| Insertion Loss | Typ. 3.0 dB | 2.21 dB | |
| -3 dB Bandwidth | Typ. 60 MHz | 70.6 MHz | |
| Sensitivity (Attenuation) | Fo - 100 MHz | Typ. 44 dBc | 49 dBc |
| | Fo + 100 MHz | Typ. 31 dBc | 36 dBc |
| | Fo - ()MHz | Typ. dB | dB |
| | Fo + ()MHz | Typ. dB | dB |
| Return Loss | Min. 12 dB | 28.8 dB | |
| Ripple | < 1 dB | dB | |
| Impedance | In / Out : 50 Ω | In / Out : 50 Ω | |
| (4) Torque for Tuning Screw | > 60gf · cm | | |
| (5) Temperature Condition: | | | |
| Operating Temperature | 0°C ~ +60°C | | |
| Storage Temperature | -20°C ~ +70°C | | |
| (6) Input Power | > 1Watt | | |

(7) Measuring Circuit: ※Easy to match Impedance S11/S22 50Ω by parallel with about(- -).



| | | | |
|-----------|------------|----------|---------------------------------|
| Approval | Supervisor | Designer | Aperture size |
| C.Y.Chang | C.K.Chang | C.H.Yeh | 7H4S(4*5.5)(6.58) 7H046RB5.5 |

TEMWELL CORPORATION

