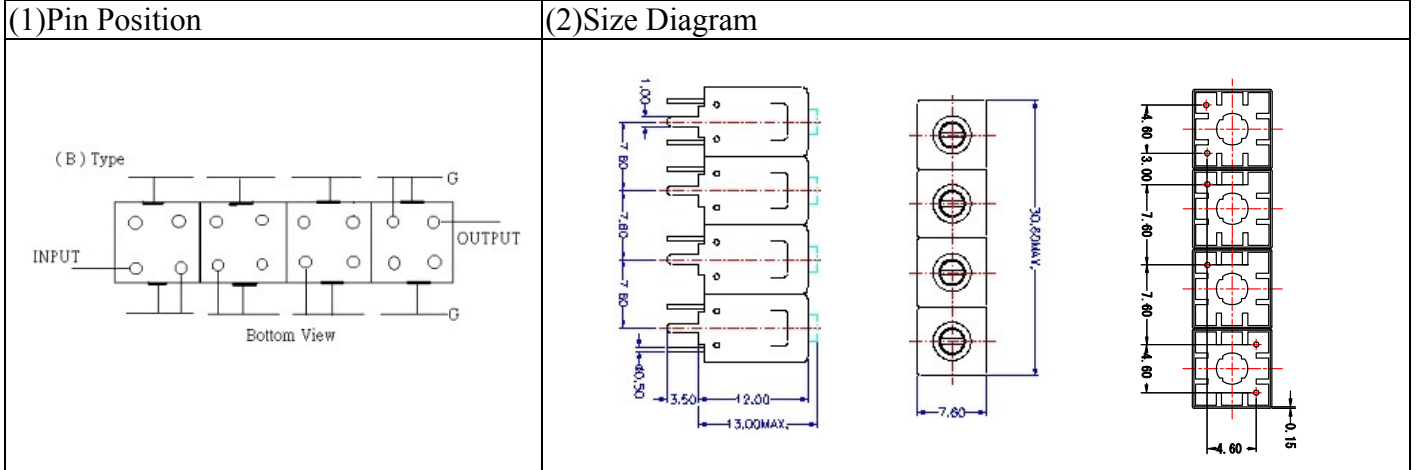
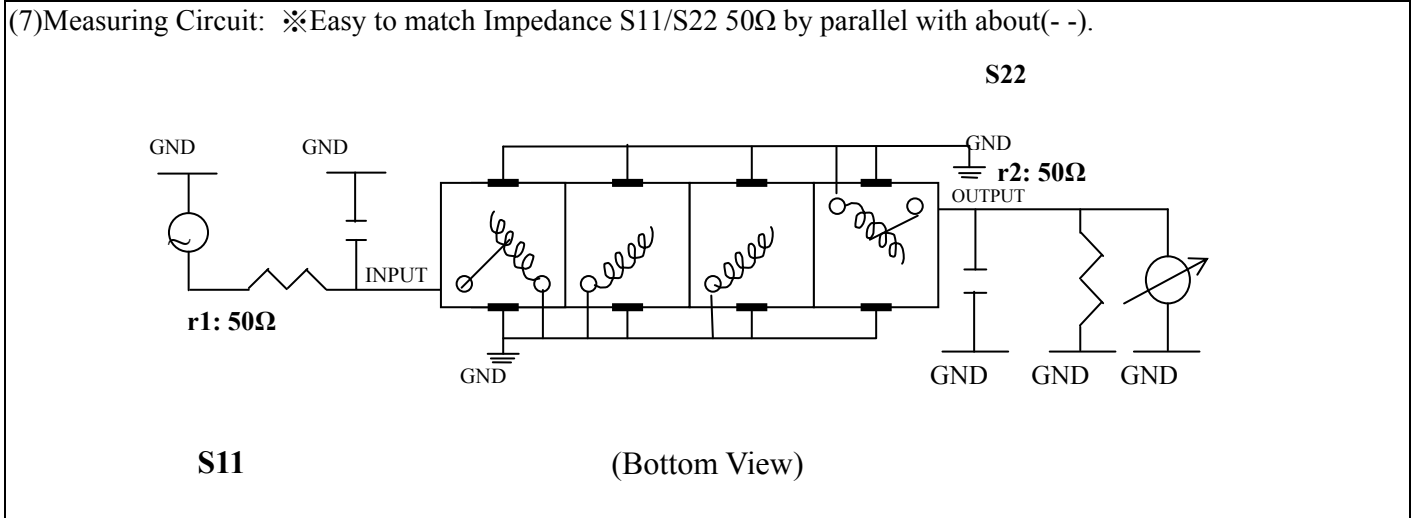


# VHF UHF Helical Filter Specification Sheet

Customer Name		Temwell's Part No.	TF69807B-963M
Approval No. /dated	201708098CD	Temwell's Print Name	69807B 963M
Work Instruction No.	201708098CD	Date	Oct.24.2017



(3) Electric Characteristic			
Item		Specify	Performance
Center Freq.(Fo) +/- 0.5 %		963 MHz	963 MHz
Insertion Loss		Typ. 2.5 dB	1.96 dB
-3 dB Bandwidth		Typ. 60 MHz	70.9 MHz
Sensitivity (Attenuation)	Fo - 100 MHz	Typ. 49 dBc	54 dBc
	Fo +100 MHz	Typ. 30 dBc	35 dBc
	Fo - ( )MHz	Typ. dBc	dBc
	Fo +( )MHz	Typ. dBc	dBc
Return Loss		Min. 12 dB	15.2 dB
Ripple		< 1 dB	dB
Impedance		In / Out : 50 Ω	In / Out : 50 Ω
(4) Torque for Tuning Screw		> 60gf · cm	
(5) Temperature Condition:			
Operating Temperature		0°C ~ +60°C	
Storage Temperature		-20°C ~ +70°C	
(6) Input Power		> 1Watt	



Approval	Supervisor	Designer	Aperture size
C.Y.Chang	C.K.Chang	C.S.Chang	7H4S(4*6.5)(6.58) 7H046RB5.5

TEMWELL CORPORATION

# Performance-TF69807B-963M

## 201708098CD

Tr1 S11 Log Mag 5.000dB/ Ref 0.000dB [F2]  
Tr2 S21 Log Mag 10.00dB/ Ref 0.000dB [F2]

