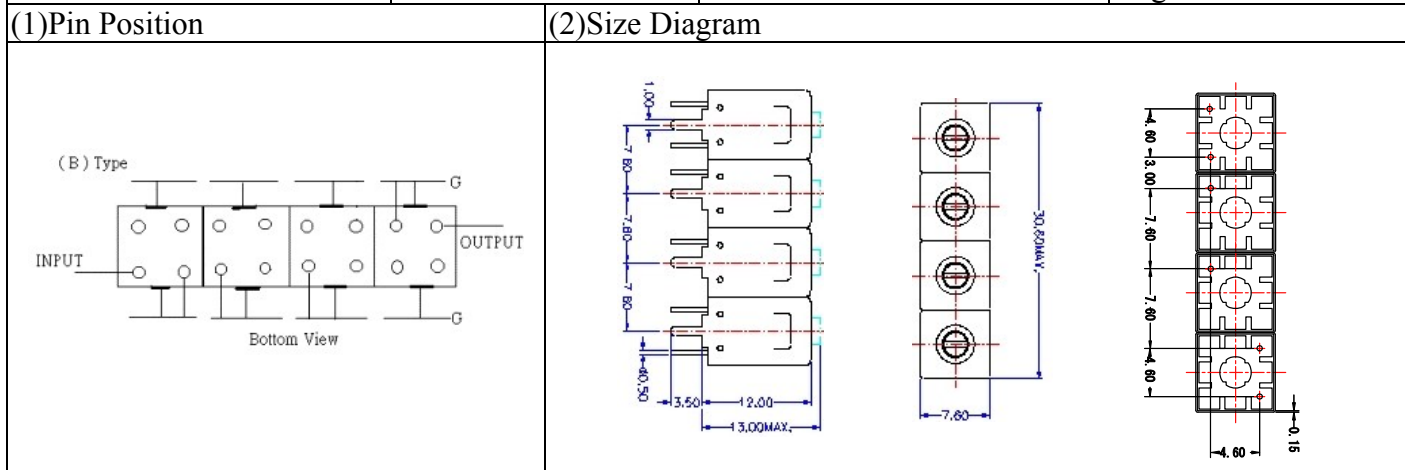
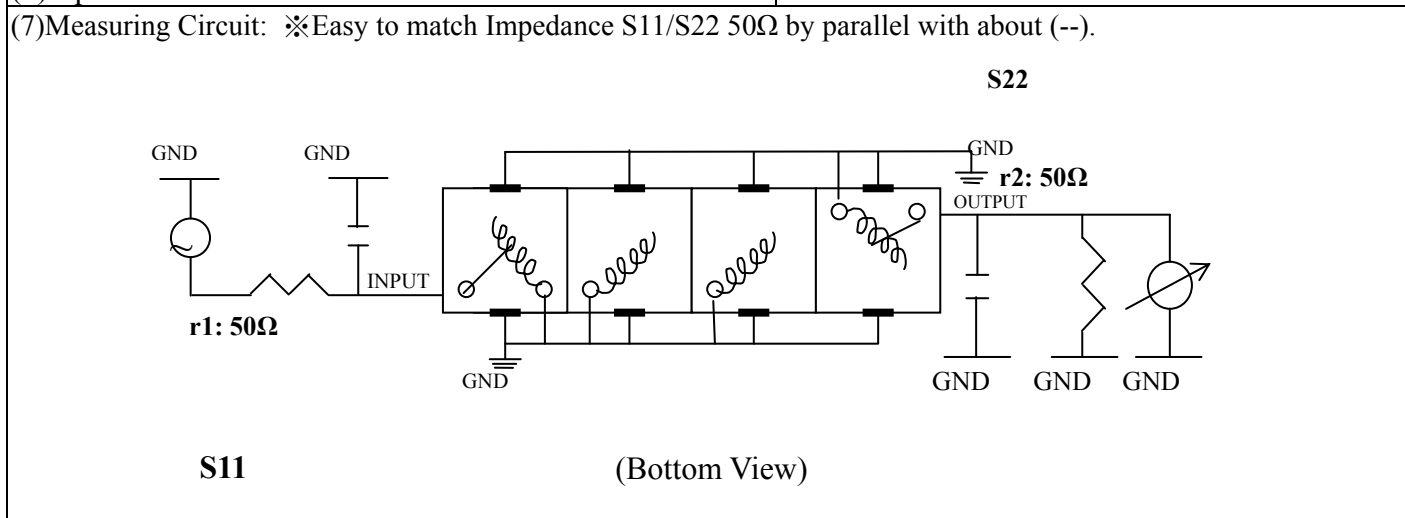


# VHF UHF Helical Filter Specification Sheet

Customer Name		Temwell's Part No.	TF69798B-815M
Approval No. /dated	201708067CD	Temwell's Print Name	69798B 815M
Work Instruction No.	201708067CD	Date	Aug.30.2017



(3) Electric Characteristic			
Item		Specify	Performance
Center Freq.(Fo) +/- 0.5 %		815 MHz	815 MHz
Insertion Loss		Typ. 2.5 dB	1.80 dB
-3 dB Bandwidth		Typ. 50 MHz	56.6 MHz
Sensitivity (Attenuation)	Fo - 150 MHz	Typ. 63 dBc	73 dBc
	Fo +150 MHz	Typ. 50 dBc	55 dBc
	Fo - ( )MHz	Typ. dB	dB
	Fo +( )MHz	Typ. dB	dB
Return Loss		Min. 12 dB	21.0 dB
Ripple		< 1 dB	dB
Impedance		In / Out : 50 Ω	In / Out : 50 Ω
(4) Torque for Tuning Screw		> 60gf · cm	
(5) Temperature Condition:			
Operating Temperature		0°C ~ +60°C	
Storage Temperature		-20°C ~ +70°C	
(6) Input Power		> 1 Watt	



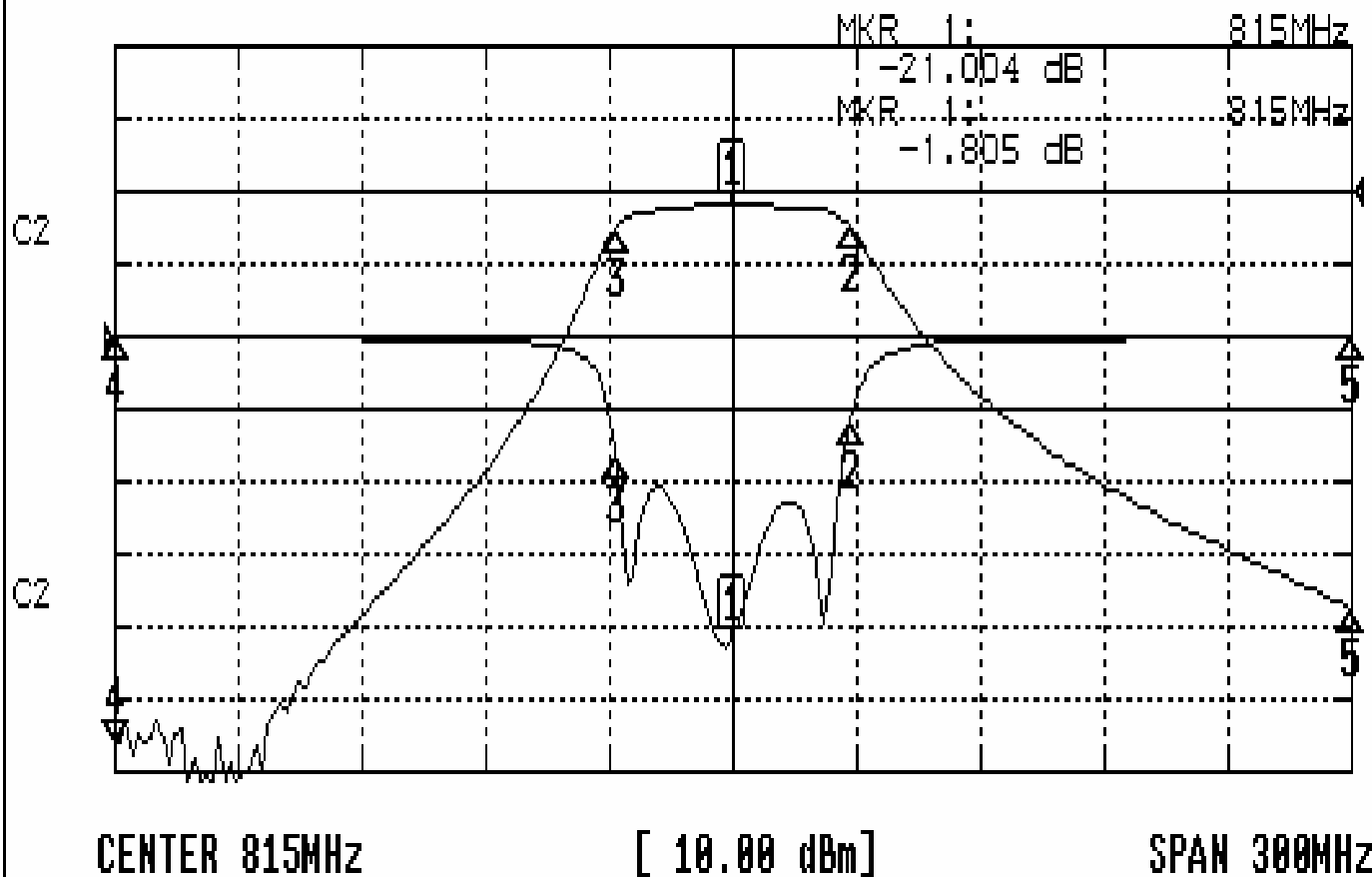
Approval	Supervisor	Designer	Aperture size
C.Y.Chang	C.K.Chang	C.H.Yeh	7H4S(4*5.35)(5.40) 7H046RB5.5

TEMWELL CORPORATION

# Performance-TF69798B-815M

## 201708067CD

CH1 S11 LOG MAG REF 0.000 dB 5.000 dB/  
CH2 S21 LOG MAG REF 0.000 dB 10.000 dB/



### CH1 MARKER LIST

1:	815.000MHz	-21.010	dB
2:	843.400MHz	-6.096	dB
3:	786.750MHz	-8.332	dB
4:	665.000MHz	-0.076	dB
5:	965.000MHz	-0.127	dB
6:			
7:			
8:			
9:			
10:			

### CH2 MARKER LIST

1:	815.000MHz	-1.805	dB
2:	843.400MHz	-4.840	dB
3:	786.750MHz	-4.864	dB
4:	665.000MHz	-75.741	dB
5:	965.000MHz	-57.601	dB
6:			
7:			
8:			
9:			
10:			