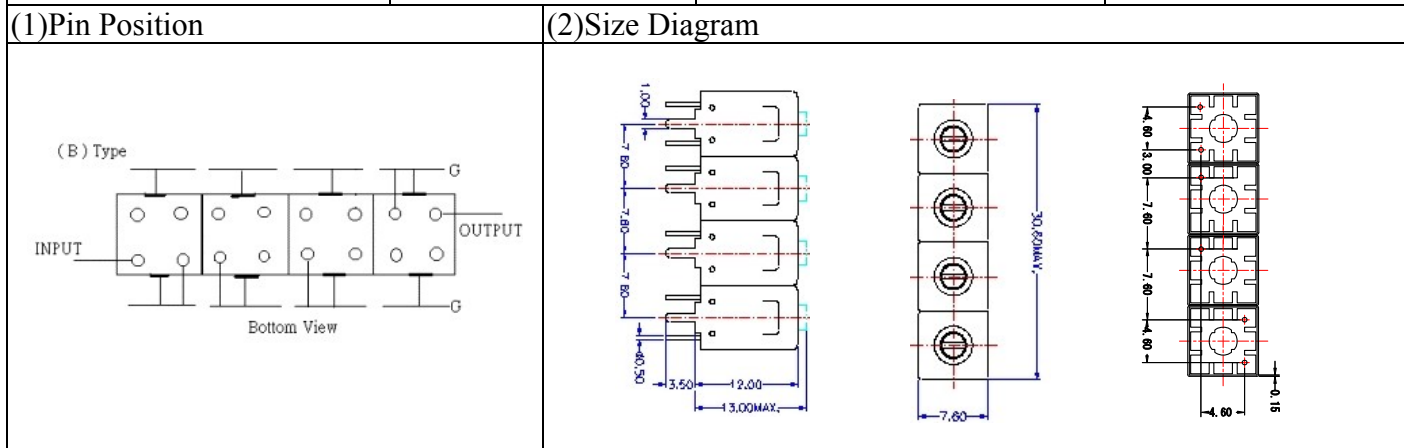


VHF UHF Helical Filter Specification Sheet

Customer Name		Temwell's Part No.	TF6978B-433.9M
Approval No. /dated	201703030CD	Temwell's Print Name	6978B 433.9M
Work Instruction No.	201703030CD	Date	Mar.08.2017



(3) Electric Characteristic

Item	Specify	Performance
Center Freq.(Fo) +/- 0.5 %	433.9 MHz	433.9 MHz
Insertion Loss	Typ. 3.0 dB	2.12 dB
-3 dB Bandwidth	Typ. 21 MHz	25.3 MHz
Sensitivity (Attenuation)	Fo - 50 MHz	Typ. 54 dBc
	Fo + 50 MHz	Typ. 43 dBc
	Fo - ()MHz	Typ. dBc
	Fo + ()MHz	Typ. dBc
Return Loss	Min. 12 dB	18.9 dB
Ripple	< 1 dB	
Impedance	In / Out : 50 Ω	In / Out : 50 Ω

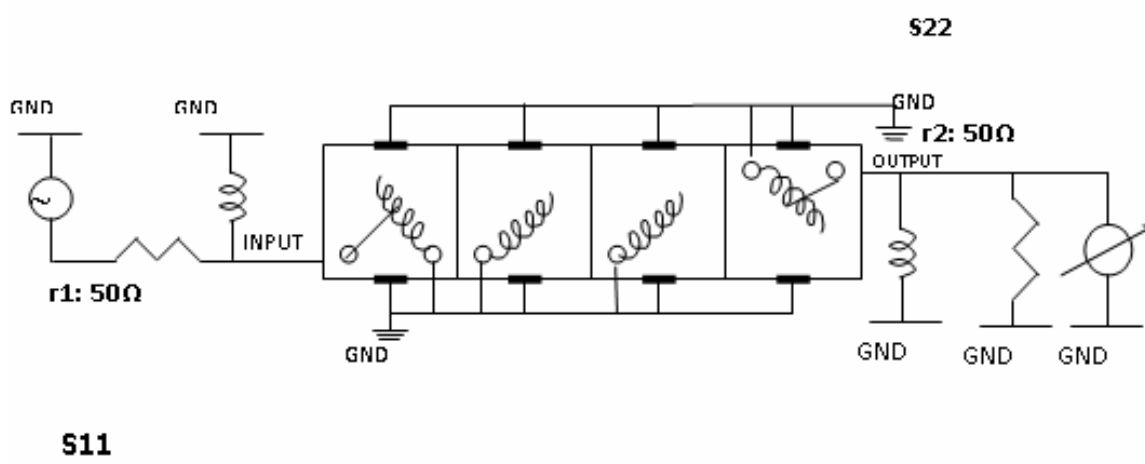
(4) Torque for Tuning Screw > 60gf · cm

(5) Temperature Condition:

Operating Temperature	0°C ~ +60°C
Storage Temperature	-20°C ~ +70°C

(6) Input Power > 1Watt

(7) Measuring Circuit: ※Easy to match Impedance S11/S22 50Ω by parallel with about(- -).



(Bottom View)

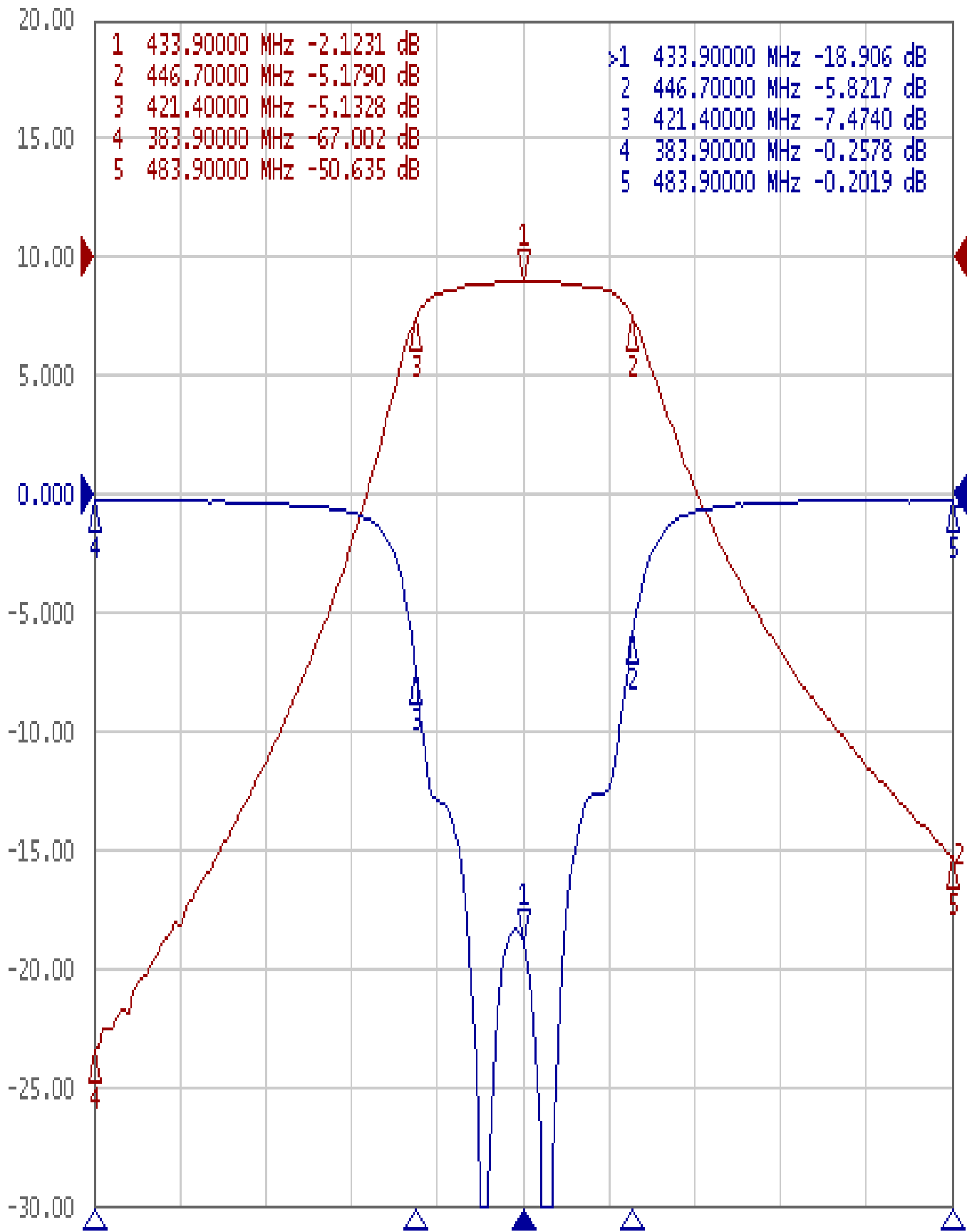
Approval	Supervisor	Designer	Aperture size
C.Y.Chang	C.K.Chang	W.W.Wang	7H4S(4*7.35)(7.38) 7H046LB4.3 聚 3 J1

TEMWELL CORPORATION

Performance-TF6978B-433.9M

201703030CD

Tr1 S11 Log Mag 5.000dB/ Ref 0.000dB [F2]
Tr2 S21 Log Mag 10.000dB/ Ref 0.000dB [F2]



1 Center 433.9 MHz

IFBW 70 kHz

Span 100 MHz Cor !