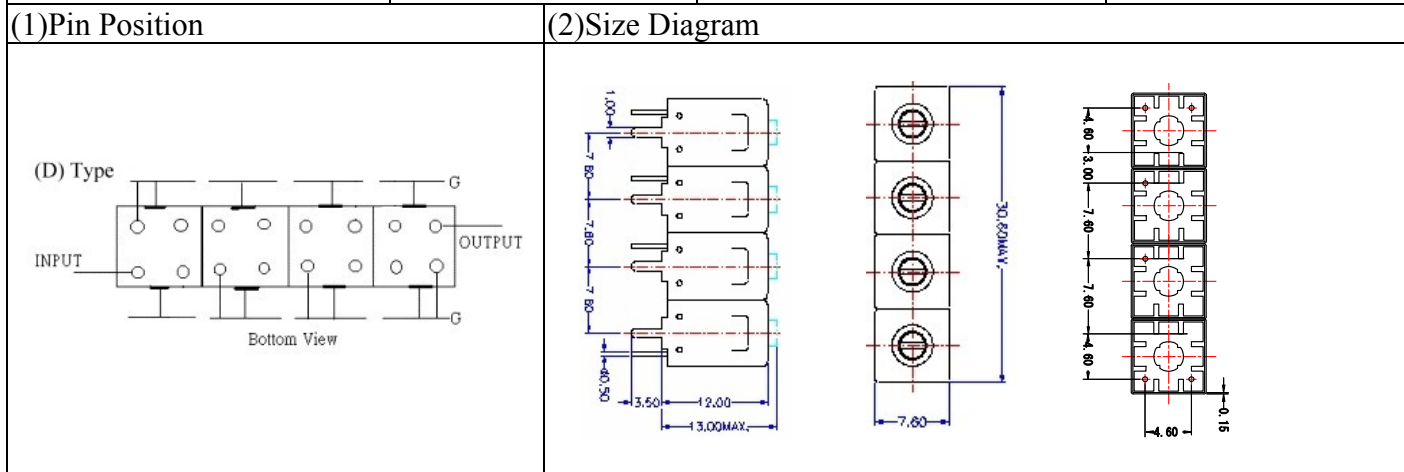


VHF UHF Helical Filter Specification Sheet

Customer Name		Temwell's Part No.	TF6977D-550M
Approval No. /dated	201703055CD	Customer's Print Name	6977D 550M
Work Instruction No.	201703055CD	Date	Jun.12.2017



(3) Electric Characteristic

Item	Specify	Performance
Center Freq.(Fo) +/- 0.5 %	550 MHz	550 MHz
Insertion Loss	Typ 2.5 dB	1.57 dB
-3 dB Bandwidth	Typ. 34 MHz	38.1 MHz
Sensitivity (Attenuation)	Fo -50 MHz	Typ. 44 dBc
	Fo +50 MHz	Typ. 26 dBc
	Fo - ()MHz	Typ. dBc
	Fo +()MHz	Typ. dBc
Return Loss	Min. 12 dB	26.9 dB
Ripple	< 1 dB	
Impedance	In / Out : 50 Ω	In / Out : 50 Ω

(4) Torque for Tuning Screw

> 60gf · cm

(5) Temperature Condition:

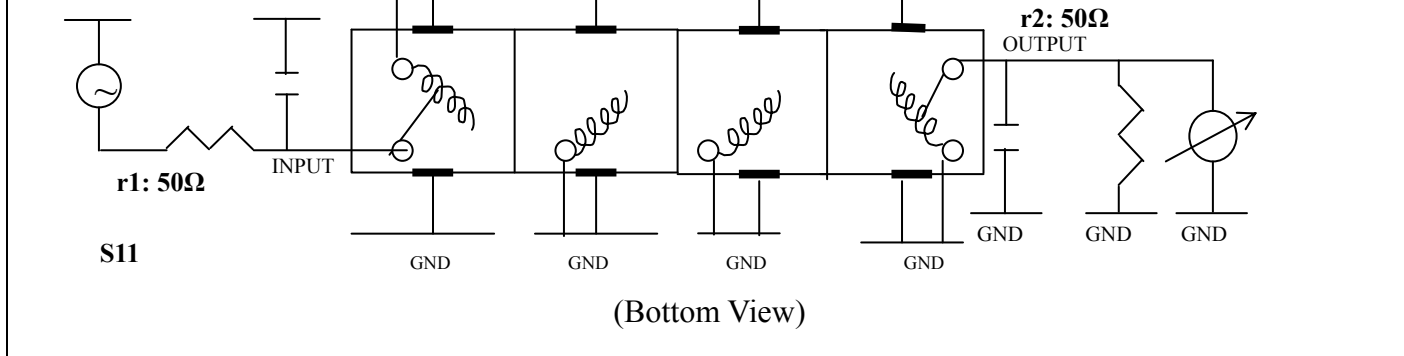
Operating Temperature 0°C ~ +60°C

Storage Temperature -20°C ~ +70°C

(6) Input Power

> 1Watt

(7) Measuring Circuit: ※Easy to match Impedance S11/S22 50Ω by parallel with about(- -).



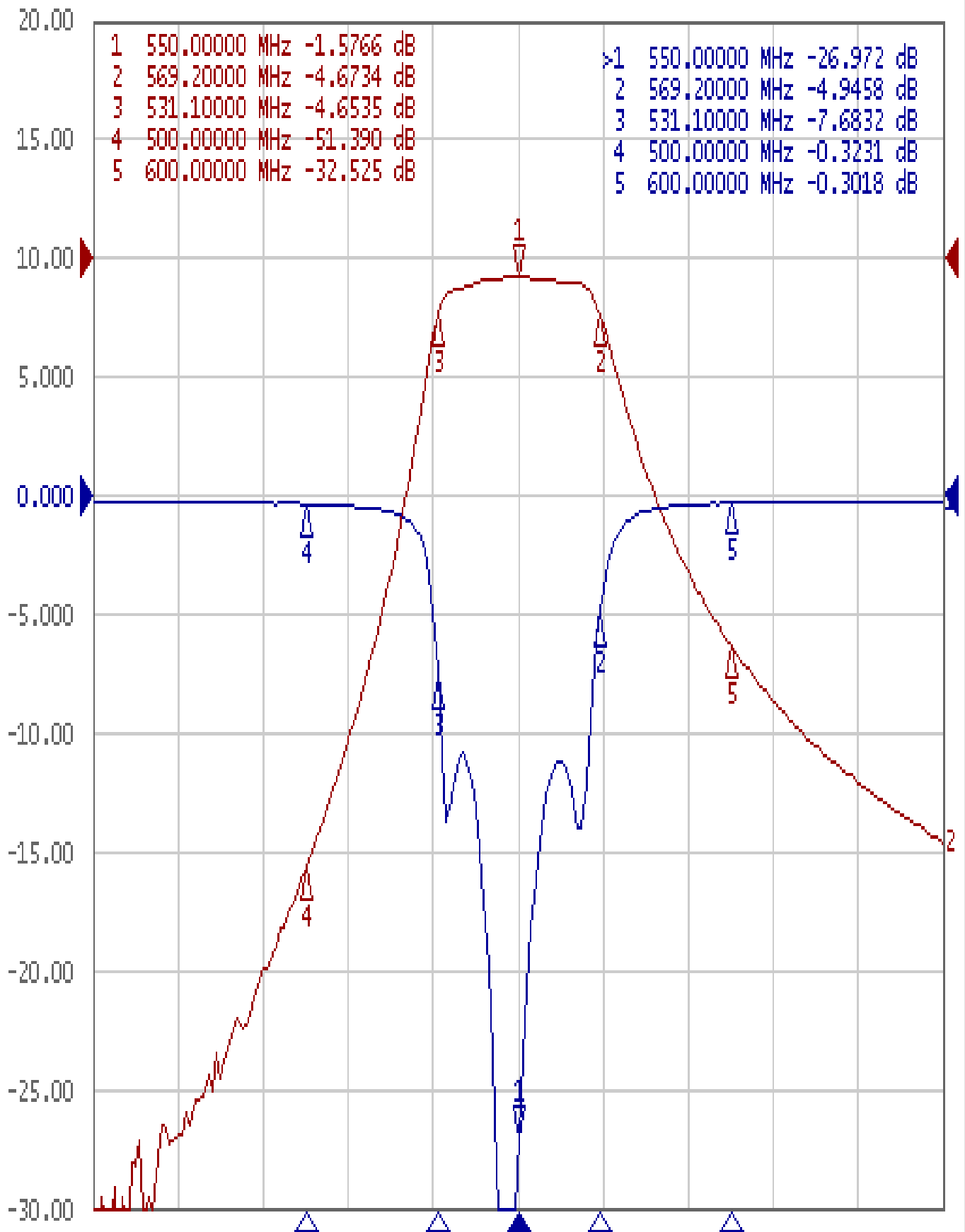
Approval	Supervisor	Designer	Aperture size
C.Y.Chang	C.K.Chang	W.W.Wang	7H4S(4*7.5)(7.58) 7H046LB4.3 聚 3(J1)

TEMWELL CORPORATION

Performance-TF6977D-550M

201703055CD

Tr1 S11 Log Mag 5.000dB/ Ref 0.000dB [F2]
Tr2 S21 Log Mag 10.00dB/ Ref 0.000dB [F2]



1 Center 550 MHz

IFBW 70 kHz

Span 200 MHz

Cor !