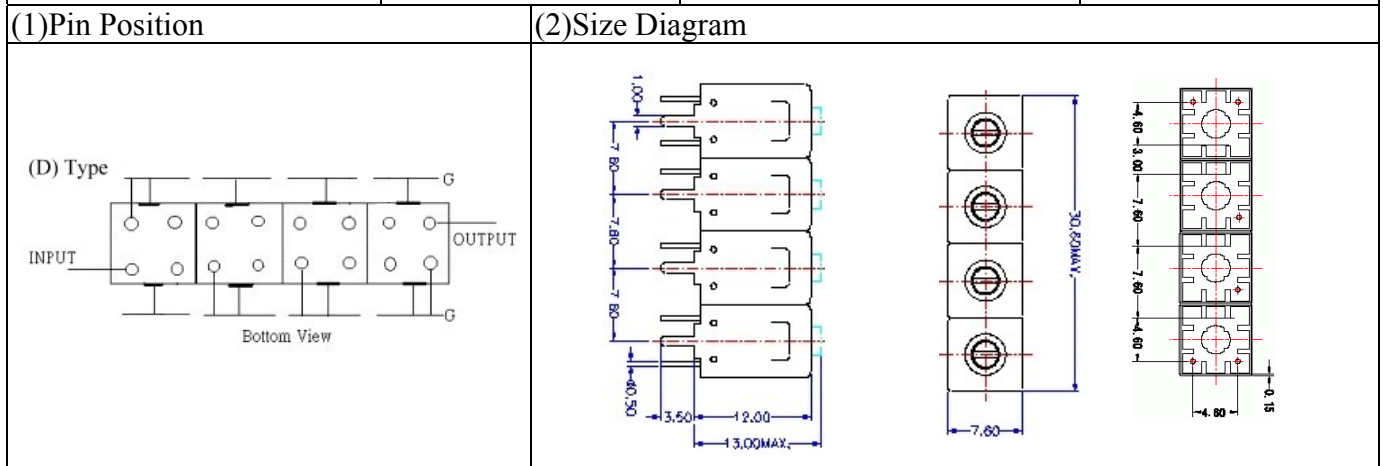
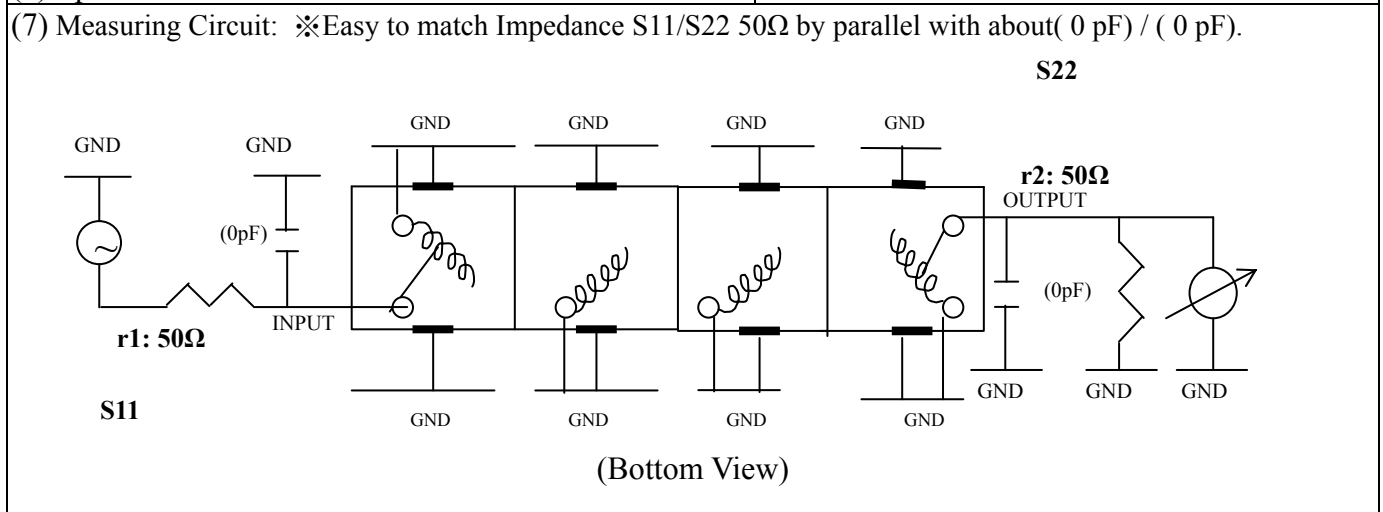


# VHF UHF Helical Filter Specification Sheet

Customer Name		Temwell's Part No.	TF6976D-535M
Approval No. /dated	0903058CD	Customer's Print Name	6976D 535M
Work Instruction No.	200903058CD	Date	MAR.25.2009



(3) Electric Characteristic			
Item		Specify	Performance
Center Freq.(Fo ) +/- 0.5 %		535 MHz	535 MHz
Insertion Loss		Typ 3.5 dB	2.60 dB
-3 dB Bandwidth		Typ. 20 MHz	22.2 MHz
Sensitivity (Attenuation )	Fo - 50 MHz	Typ. 64 dBc	67 dBc
	Fo + 50 MHz	Typ. 42 dBc	45 dBc
	Fo - ( )MHz	Typ. dBc	dBc
	Fo + ( )MHz	Typ. dBc	dBc
Return Loss		Min. 12 dB	31.4 dB
Ripple		< 1 dB	dB
Impedance		In / Out : 50 Ω	In / Out : 50 Ω
(4) Torque for Tuning Screw		> 100gf · cm	
(5) Temperature Condition:			
Operating Temperature		0°C ~ +60°C	
Storage Temperature		-20°C ~ +70°C	
(6) Input Power		> 1 Watt	



Approval	Supervisor	Designer	Aperture size
C.Y.Chang	C.K.Chang	P.H.Chiang	7H4S(4*5.5 7H046LB4.3 聚 3

TEMWELL CORPORATION

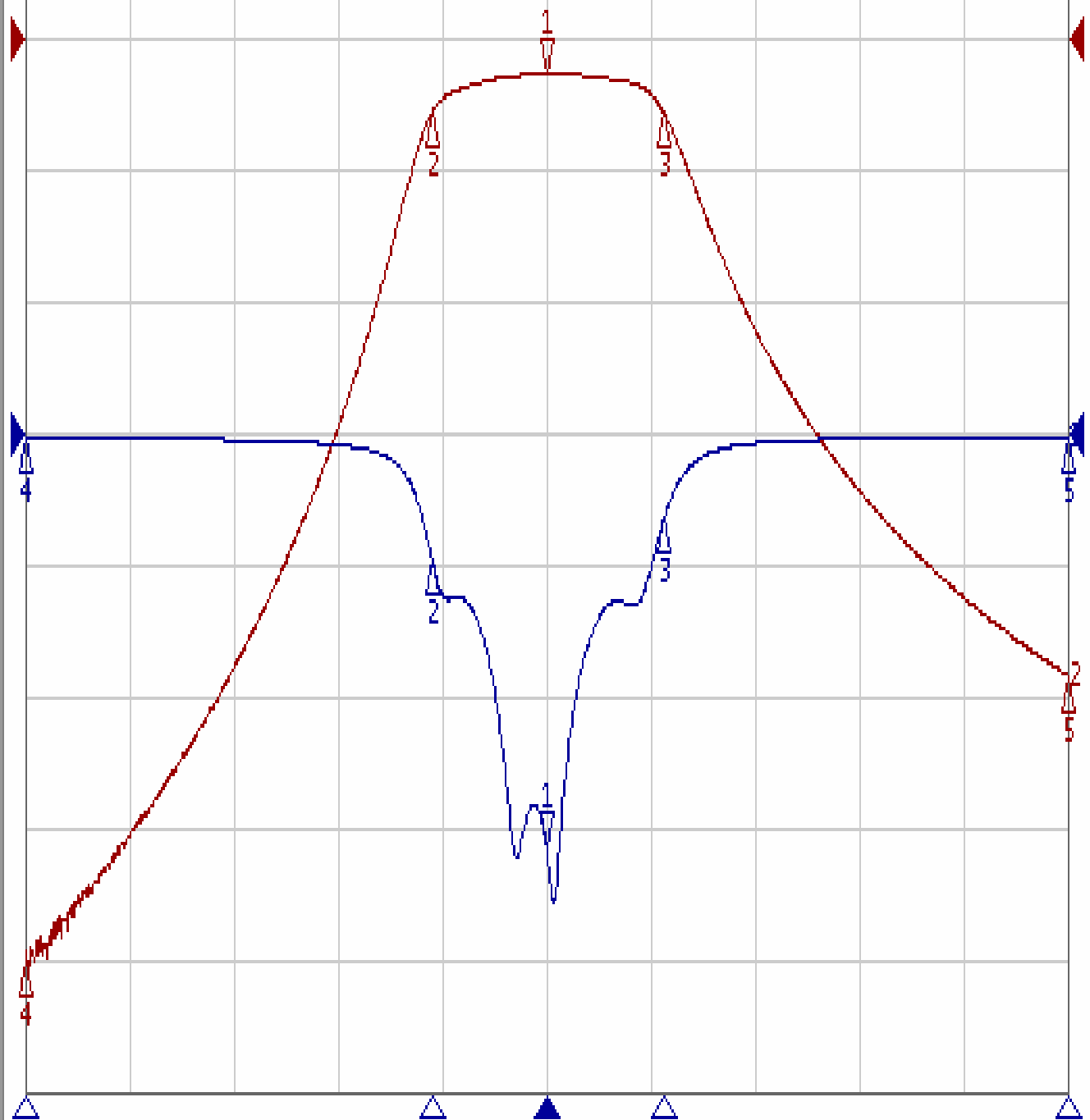
TEMWELL RP(ph)

# Performance-TF6976D-535M

## 200903058CD

Tr1 S11 Log Mag 10.00dB/ Ref 0.000dB [F2]  
Tr2 S21 Log Mag 10.00dB/ Ref 0.000dB [F2]

>1	535.00000 MHz	-31.466 dB	1	535.00000 MHz	-2.6001 dB
2	524.03250 MHz	-9.5524 dB	2	524.03250 MHz	-5.5036 dB
3	546.25100 MHz	-6.4636 dB	3	546.25100 MHz	-5.5510 dB
4	485.00000 MHz	-0.2583 dB	4	485.00000 MHz	-70.180 dB
5	585.00000 MHz	-0.2159 dB	5	585.00000 MHz	-48.398 dB



1 Center 535 MHz

IFBW 10 kHz

Span 100 MHz

Cor !