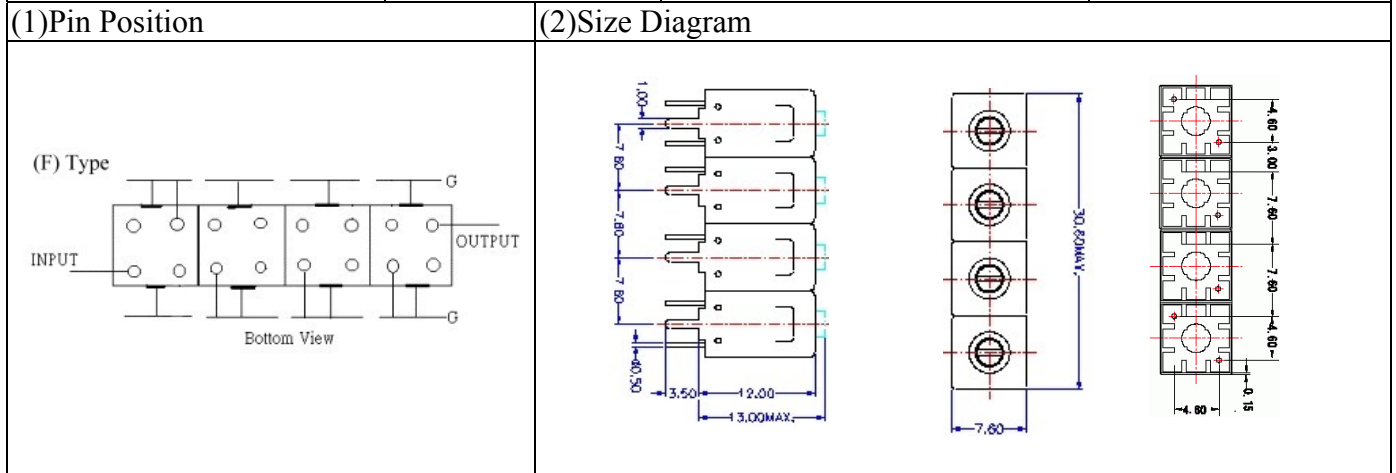
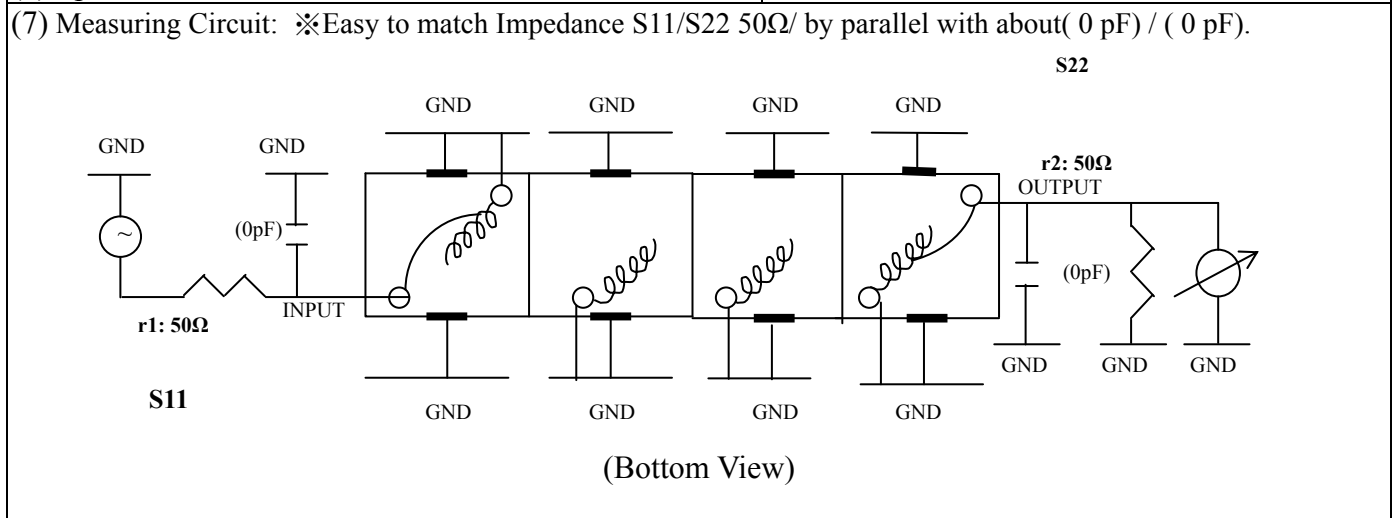


# VHF UHF Helical Filter Specification Sheet

Customer Name		Temwell's Part No.	TF6974F-485M
Approval No. /dated	0701143APR	Acceptable Specify Fo Range	456~515MHz
Work Instruction No.	0701143B	Date	Jan.22.2007



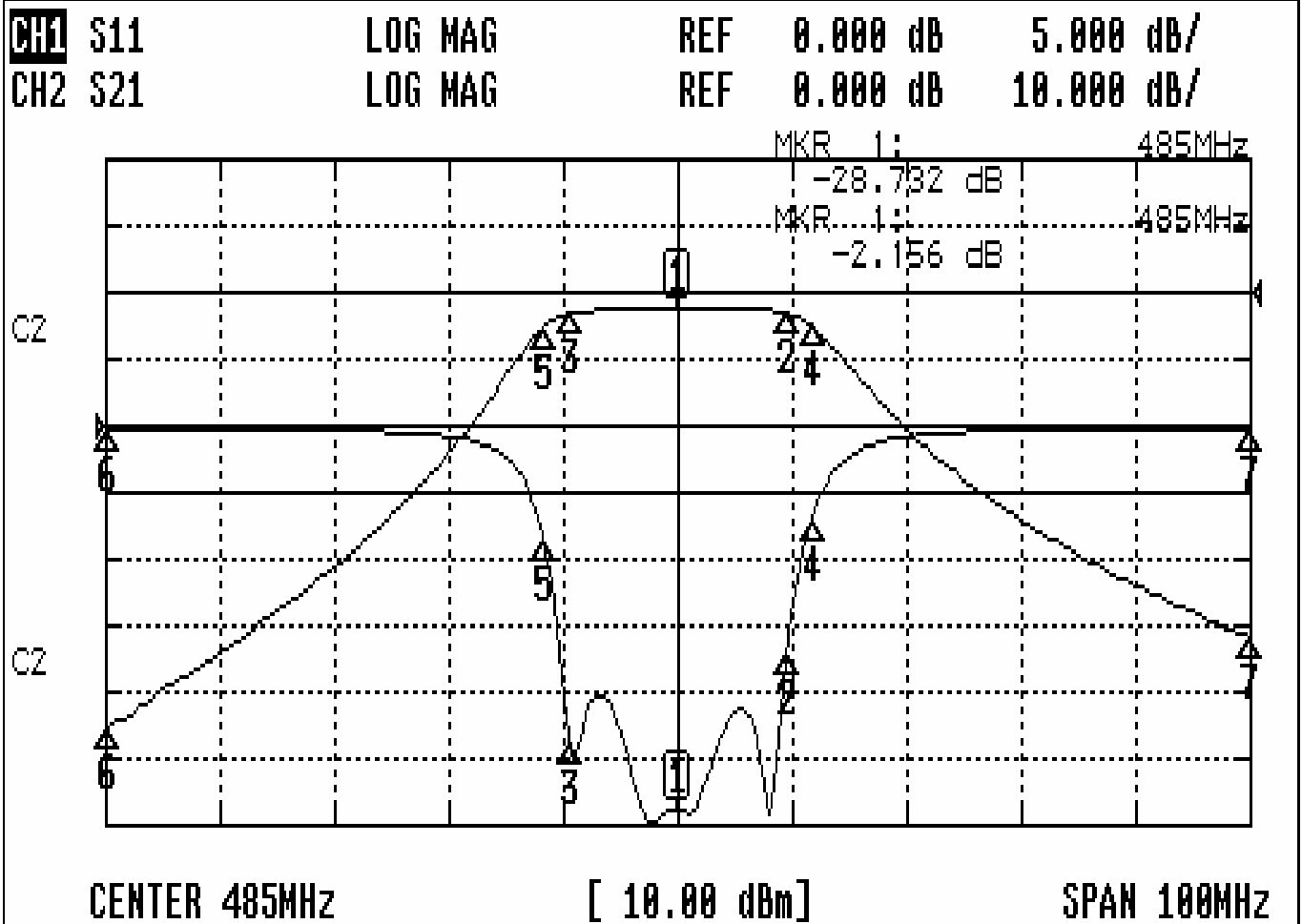
(3) Electric Characteristic			
Item	Specify	Performance	
Center Freq.(Fo ) +/- 0.5 %	485 MHz	485 MHz	
Insertion Loss	Typ. 3.0 dB	2.15 dB	
-3 dB Bandwidth	Typ. 20 MHz	23.4 MHz	
Sensitivity (Attenuation )	Fo - 50 MHz	Typ. 60 dBc	63 dBc
	Fo + 50 MHz	Typ. 46 dBc	49 dBc
	Fo - ( )MHz	Typ. dBc	dBc
	Fo +( )MHz	Typ. dBc	dBc
Return Loss	Min. 12 dB	28.7 dB	
Ripple	< 1 dB	dB	
Impedance	In / Out : 50 Ω	In / Out : 50 Ω	
(4) Torque for Tuning Screw > 100gf • cm			
(5) Temperature Condition:			
Operating Temperature	0°C ~ +60°C		
Storage Temperature	-20°C ~ +70°C		
(6) Input Power	> 1Watt		



Approval C.Y.Chang	Supervisor C.S.Chang	Designer P.H.Chiang	Aperture size 7H4(4*6.5) 7H046RB4
TEMWELL CORPORATION			

# Performance-TF6974F-485M

## 0701143B



### CH1 MARKER LIST

1:	485.000MHz	-28.734	dB
2:	494.583MHz	-16.768	dB
3:	475.666MHz	-23.806	dB
4:	496.750MHz	-16.989	dB
5:	473.333MHz	-18.742	dB
6:	435.000MHz	-10.185	dB
7:	535.000MHz	-0.166	dB

### CH2 MARKER LIST

1:	485.000MHz	-2.156	dB
2:	494.583MHz	-1.000	dB
3:	475.666MHz	-1.200	dB
4:	496.750MHz	-1.504	dB
5:	473.333MHz	-1.300	dB
6:	435.000MHz	-1.140	dB
7:	535.000MHz	-1.769	dB