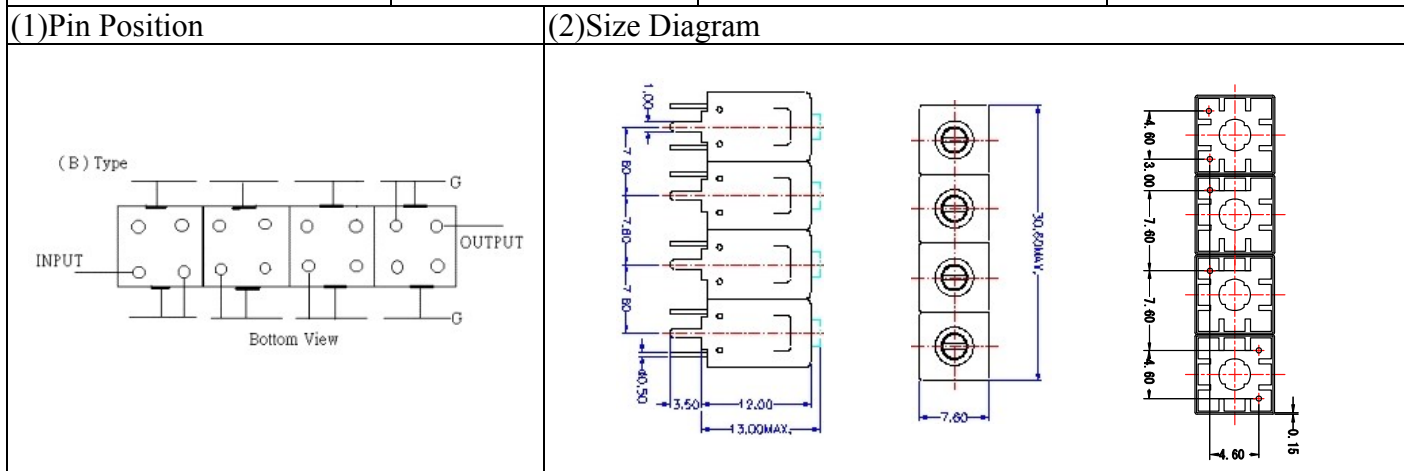


# VHF UHF Helical Filter Specification Sheet

Customer Name		Temwell's Part No.	TF6974B-480M
Approval No. /dated	201703042CD	Temwell's Print Name	6974B 480M
Work Instruction No.	201703042CD	Date	Mar.16.2017



### (3) Electric Characteristic

Item	Specify	Performance	
Center Freq.(Fo) +/- 0.5 %	480 MHz	480 MHz	
Insertion Loss	Typ. 2.5 dB	1.82 dB	
-3 dB Bandwidth	Typ. 24 MHz	29.1 MHz	
Sensitivity (Attenuation)	Fo - 50 MHz	Typ. 50 dBc	56 dBc
	Fo +50 MHz	Typ. 37 dBc	42 dBc
	Fo - ( )MHz	Typ. dBc	dBc
	Fo +( )MHz	Typ. dBc	dBc
Return Loss	Min. 12 dB	26.8 dB	
Ripple	< 1 dB	dB	
Impedance	In / Out : 50 Ω	In / Out : 50 Ω	

### (4) Torque for Tuning Screw

> 60gf • cm

### (5) Temperature Condition:

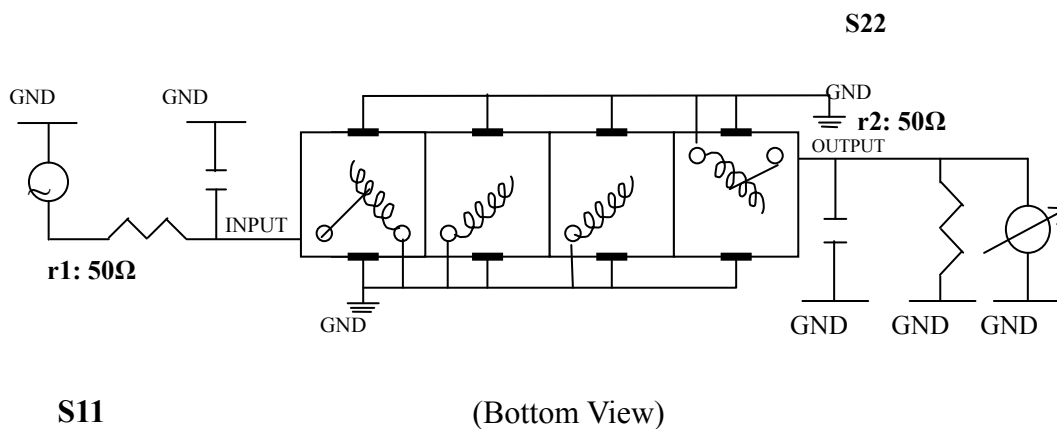
Operating Temperature: 0°C ~ +60°C

Storage Temperature: -20°C ~ +70°C

### (6) Input Power

> 1Watt

### (7) Measuring Circuit: ※Easy to match Impedance S11/S22 50Ω by parallel with about(- -).



Approval	Supervisor	Designer	Aperture size
C.Y.Chang	C.K.Chang	M.Y.Kang	7H4S(4*7.35)(7.42) 7H046LB4.3 聚 3

TEMWELL CORPORATION

TEMWELL Form10-7H4B Vision D

RP (M.Y)

# Performance-TF6974B-480M

## 201703042CD

CH1 S11

LOG MAG

REF 0.000 dB

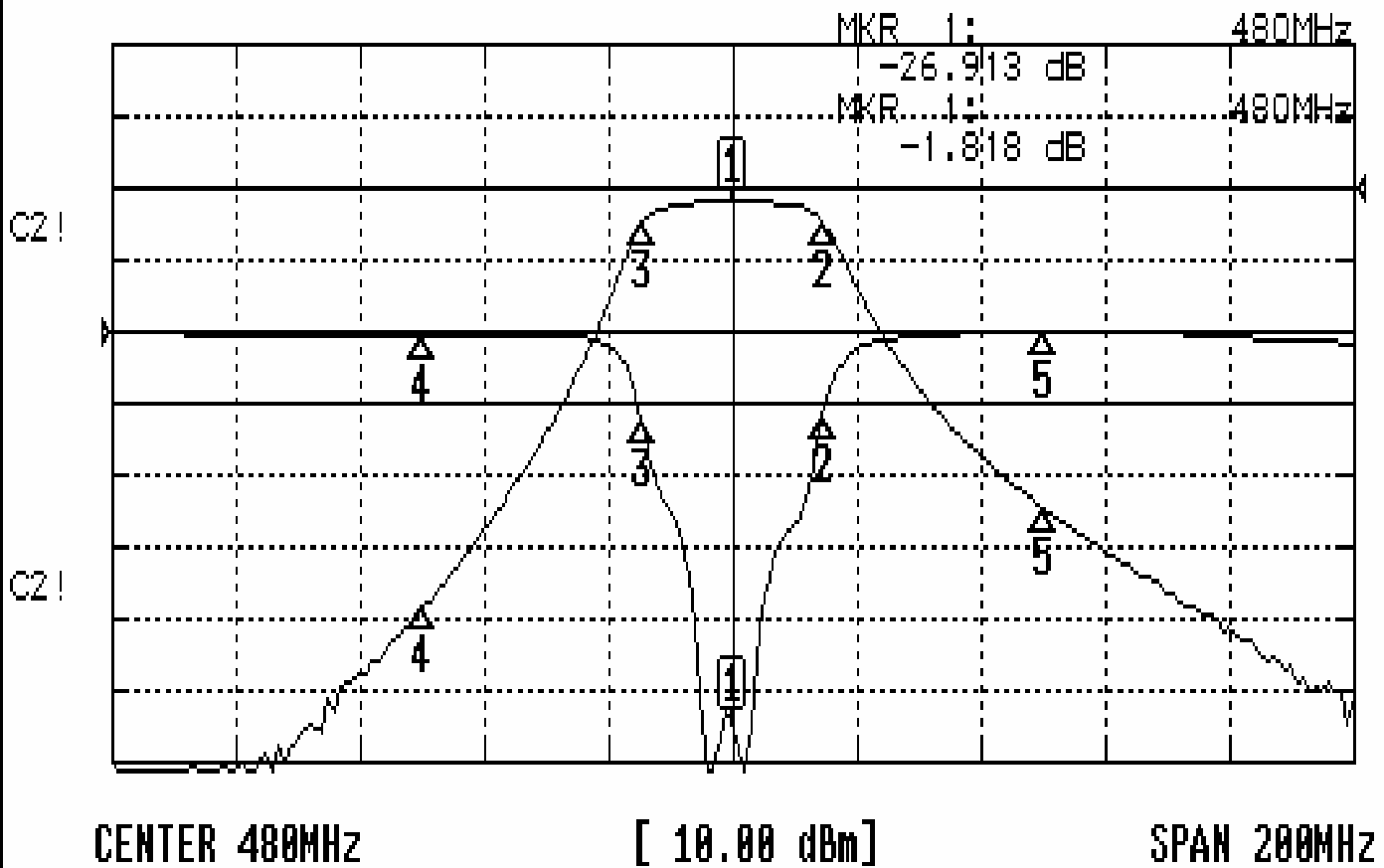
5.000 dB/

CH2 S21

LOG MAG

REF 0.000 dB

10.000 dB/



### CH1 MARKER LIST

1:	480.000MHz	-26.893	dB
2:	494.600MHz	-5.812	dB
3:	465.500MHz	-6.264	dB
4:	430.000MHz	-0.218	dB
5:	530.000MHz	-0.014	dB

### CH2 MARKER LIST

1:	480.000MHz	-1.820	dB
2:	494.600MHz	-4.810	dB
3:	465.500MHz	-4.869	dB
4:	430.000MHz	-58.123	dB
5:	530.000MHz	-44.650	dB