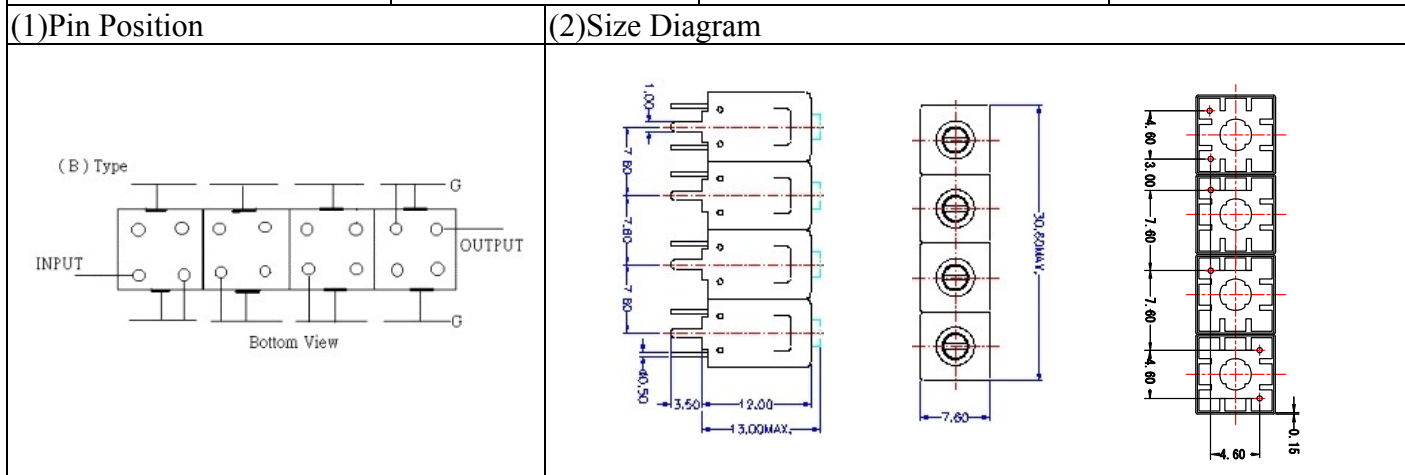


VHF UHF Helical Filter Specification Sheet

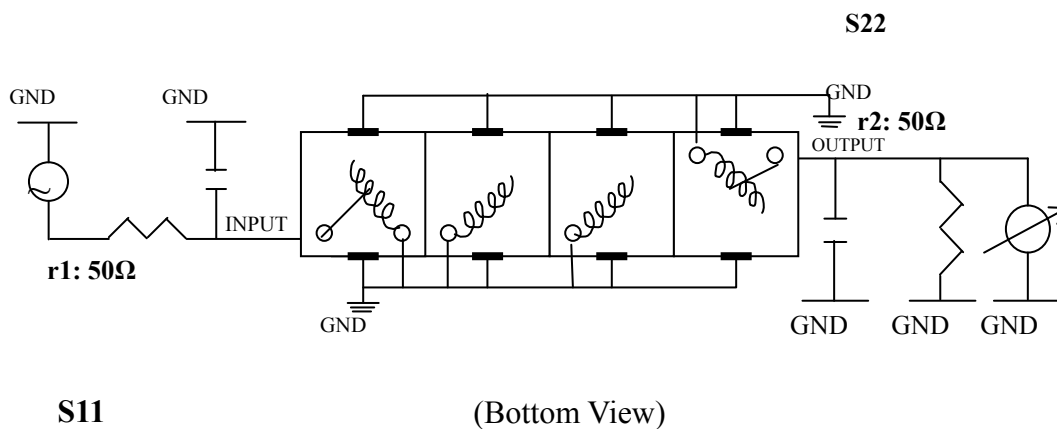
Customer Name		Temwell's Part No.	TF69748B-915M
Approval No. /dated	201803026CD	Temwell's Print Name	69748B 915M
Work Instruction No.	201803026CD	Date	Mar.21.2018



(3) Electric Characteristic

Item	Specify	Performance	
Center Freq.(Fo) +/- 0.5 %	915 MHz	915 MHz	
Insertion Loss	Typ. 4.0 dB	3.10 dB	
-3 dB Bandwidth	Typ. 26 MHz	33.9 MHz	
Sensitivity (Attenuation)	Fo - 100 MHz	Typ. 58 dBc	68 dBc
	Fo + 100 MHz	Typ. 59 dBc	64 dBc
	Fo - ()MHz	Typ. dBc	dBc
	Fo +()MHz	Typ. dBc	dBc
Return Loss	Min. 12 dB	24.4 dB	
Ripple	< 1 dB	dB	
Impedance	In / Out : 50 Ω	In / Out : 50 Ω	
(4) Torque for Tuning Screw	> 60gf · cm		
(5) Temperature Condition:			
Operating Temperature	0°C ~ +60°C		
Storage Temperature	-20°C ~ +70°C		
(6) Input Power	> 1 Watt		

(7) Measuring Circuit: ※Easy to match Impedance S11/S22 50Ω by parallel with about(- -).



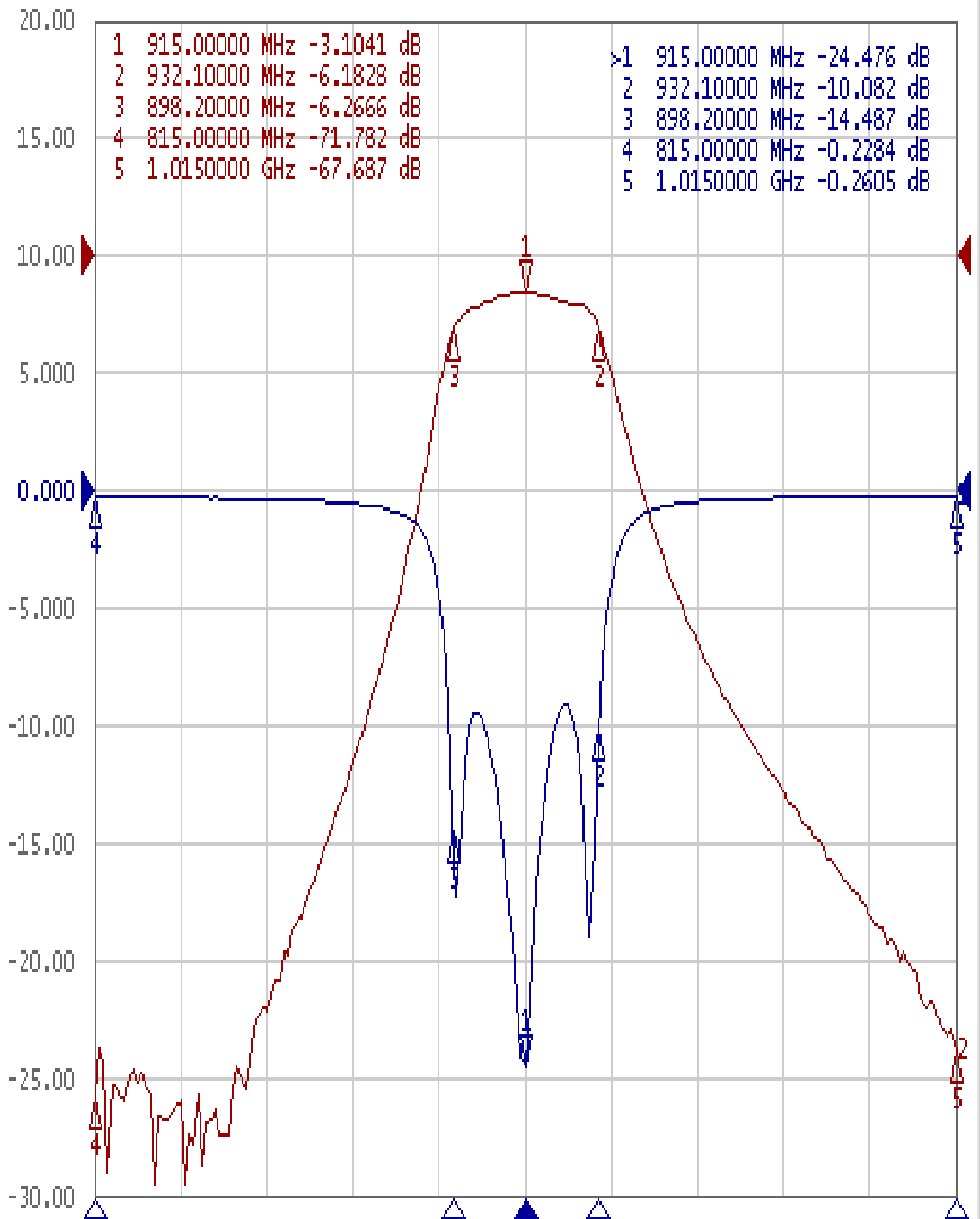
Approval	Supervisor	Designer	Aperture size
C.Y.Chang	C.K.Chang	W.W.Wang	7H4S(4*7.35)(7.35) 7H046RB4
TEMWELL CORPORATION			

Performance-TF69748B-915M

201803026CD

Tr1 S11 Log Mag 5.000dB/ Ref 0.000dB [F2]

Tr2 S21 Log Mag 10.00dB/ Ref 0.000dB [F2]



1 Center 915 MHz

IFBW 70 kHz

Span 200 MHz Cor !