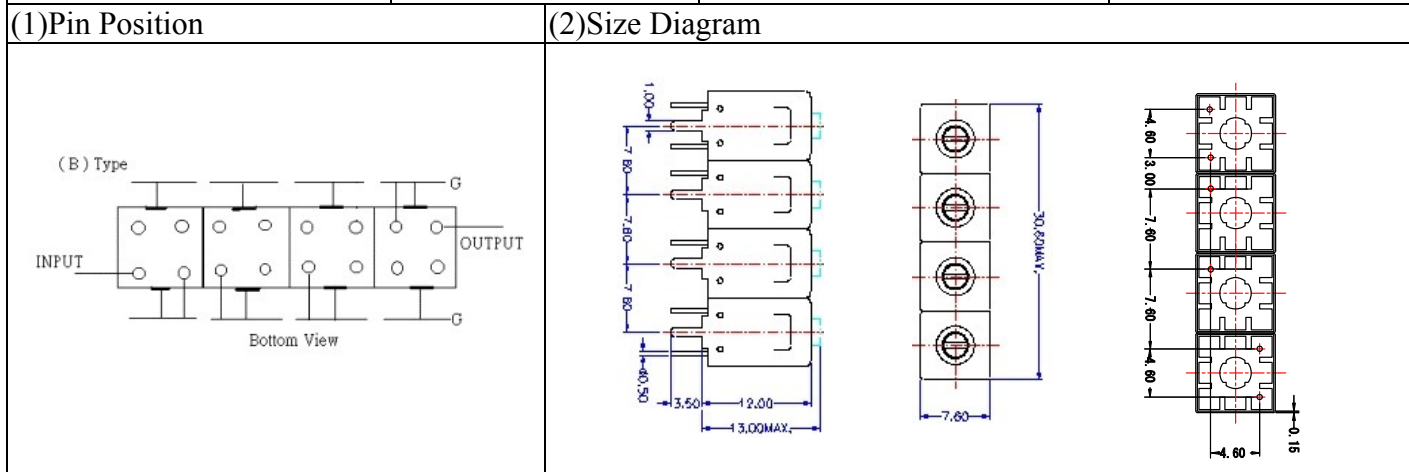


# VHF UHF Helical Filter Specification Sheet

Customer Name		Temwell's Part No.	TF69726B-208M
Approval No. /dated	201702010CD	Temwell's Print Name	69726B 208M
Work Instruction No.	201702010CD	Date	Feb.15.2017



**(3) Electric Characteristic**

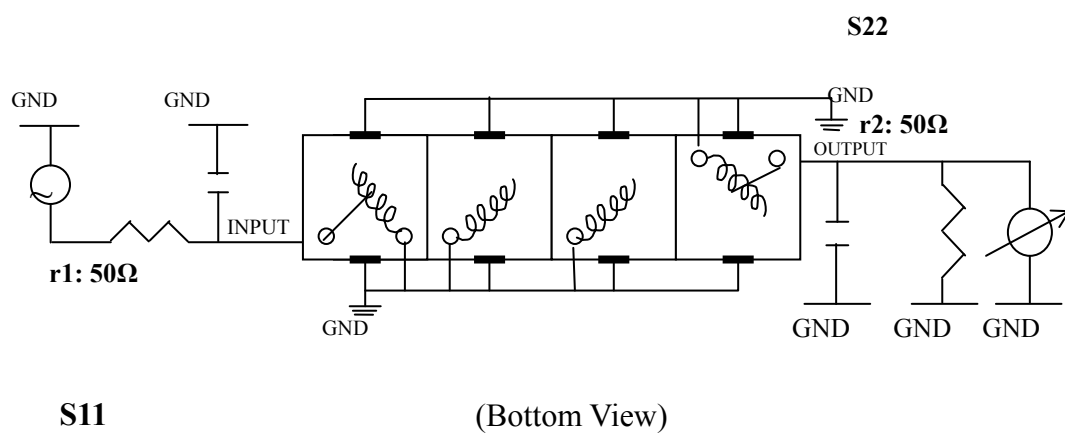
Item	Specify	Performance
Center Freq.(Fo) +/- 0.5 %	208 MHz	208 MHz
Insertion Loss	Typ. 2.0 dB	1.11 dB
-3 dB Bandwidth	Typ. 40 MHz	43.0 MHz
Sensitivity (Attenuation)	Fo - 50 MHz	Typ. 40 dBc
	Fo + 50 MHz	Typ. 25 dBc
	Fo - ( )MHz	Typ. dBc
	Fo +( )MHz	Typ. dBc
Return Loss	Min. 12 dB	19.6 dB
Ripple	< 1 dB	
Impedance	In / Out : 50 Ω	In / Out : 50 Ω
(4) Torque for Tuning Screw	> 60gf · cm	

**(5) Temperature Condition:**

Operating Temperature	0°C ~ +60°C
Storage Temperature	-20°C ~ +70°C

**(6) Input Power** > 1Watt

**(7) Measuring Circuit:** ※Easy to match Impedance S11/S22 50Ω by parallel with about(- -).



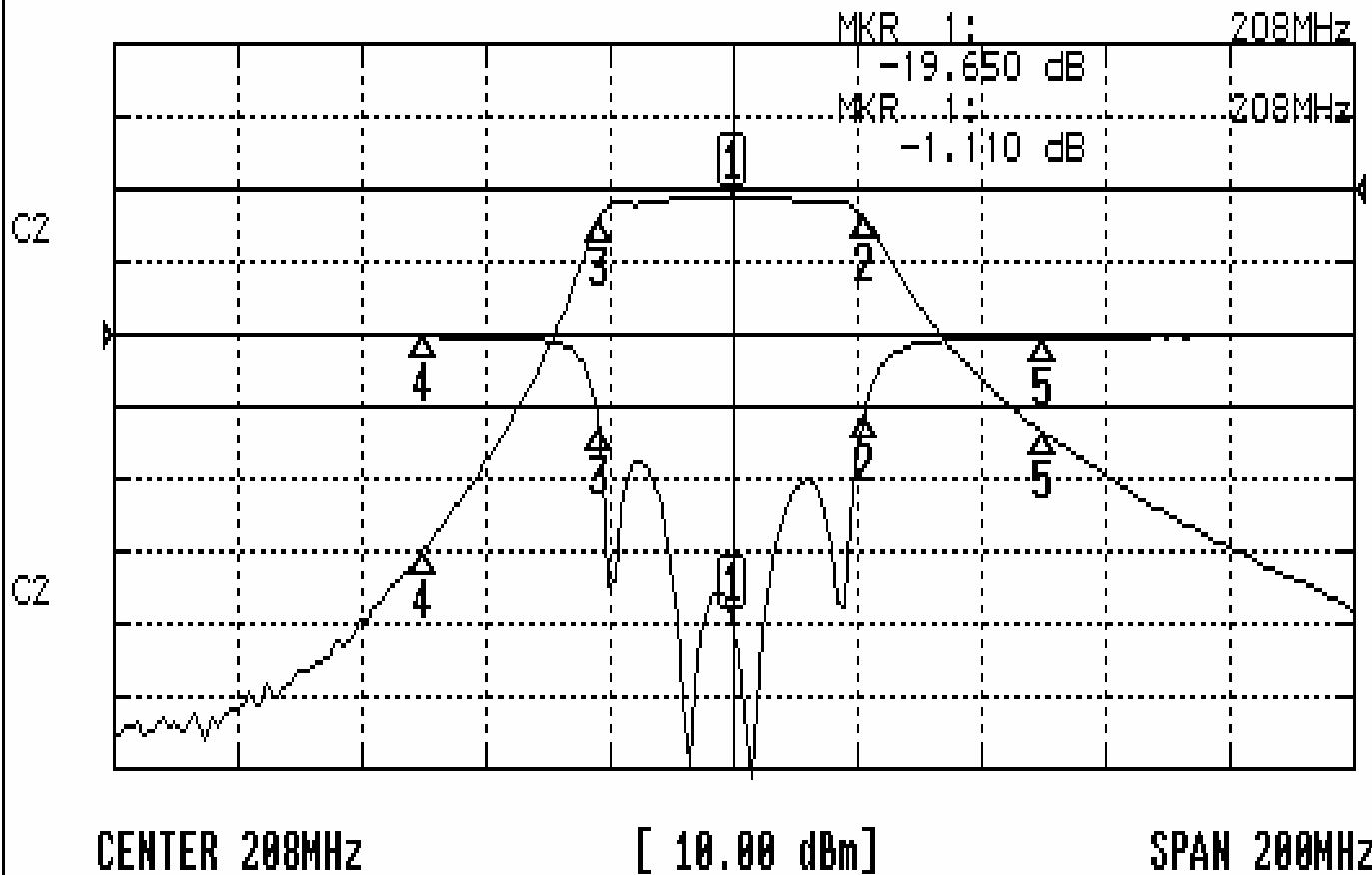
Approval	Supervisor	Designer	Aperture size
C.Y.Chang	C.K.Chang	C.H.Yeh	7H4S(4*6.5)(6.54) 7H046RB6.5

TEMWELL CORPORATION

# Performance-TF69726B-208M

## 201702010CD

CH1 S11 LOG MAG REF 0.000 dB 5.000 dB/  
CH2 S21 LOG MAG REF 0.000 dB 10.000 dB/



### CH1 MARKER LIST

1:	208.000MHz	-19.650	dB
2:	229.400MHz	-5.301	dB
3:	186.400MHz	-7.034	dB
4:	158.000MHz	-0.139	dB
5:	258.000MHz	-0.189	dB
6:			
7:			
8:			
9:			
10:			

### CH2 MARKER LIST

1:	208.000MHz	-1.110	dB
2:	229.400MHz	-4.117	dB
3:	186.400MHz	-4.157	dB
4:	158.000MHz	-49.796	dB
5:	258.000MHz	-33.609	dB
6:			
7:			
8:			
9:			
10:			