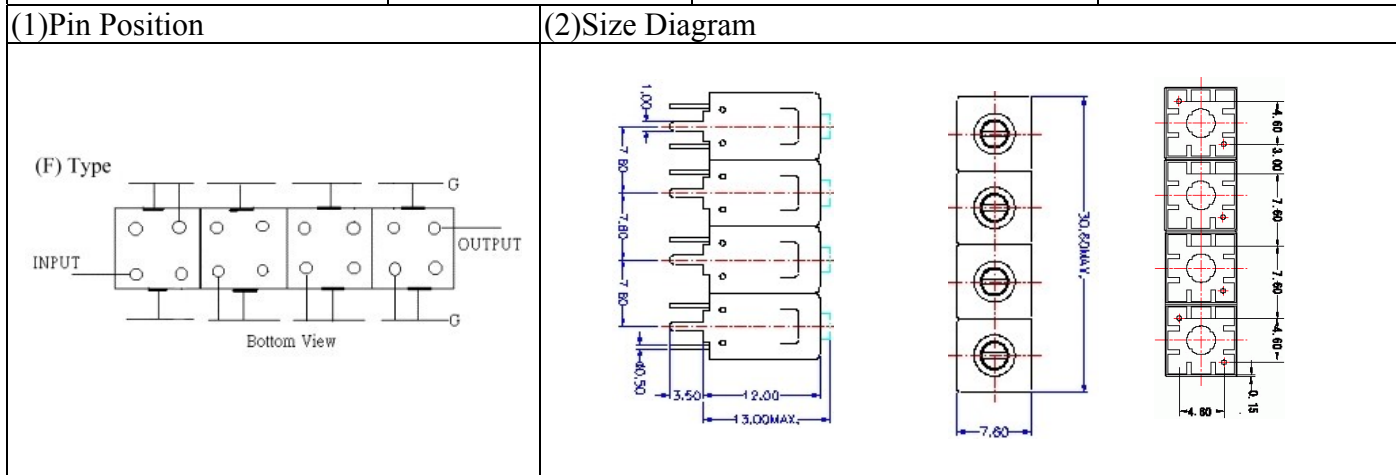


VHF UHF Helical Filter Specification Sheet

Customer Name		Temwell's Part No.	TF6971F-375M
Approval No. /dated	0701142APR	Acceptable Specify Fo Range	356~400MHz
Work Instruction No.	0701142B	Date	Jan.22.2007



(3) Electric Characteristic

Item	Specify	Performance	
Center Freq.(Fo) +/- 0.5 %	375 MHz	375 MHz	
Insertion Loss	Typ. 3.0 dB	2.01 dB	
-3 dB Bandwidth	Typ. 20 MHz	22.7 MHz	
Sensitivity (Attenuation)	Fo - 50 MHz	Typ. 68 dBc	71 dBc
	Fo + 50 MHz	Typ. 39 dBc	42 dBc
	Fo - ()MHz	Typ. dBc	dBc
	Fo +()MHz	Typ. dBc	dBc
Return Loss	Min. 12 dB	21.2 dB	
Ripple	< 1 dB	dB	
Impedance	In / Out : 50 Ω	In / Out : 50 Ω	
(4) Torque for Tuning Screw	> 100gf · cm		

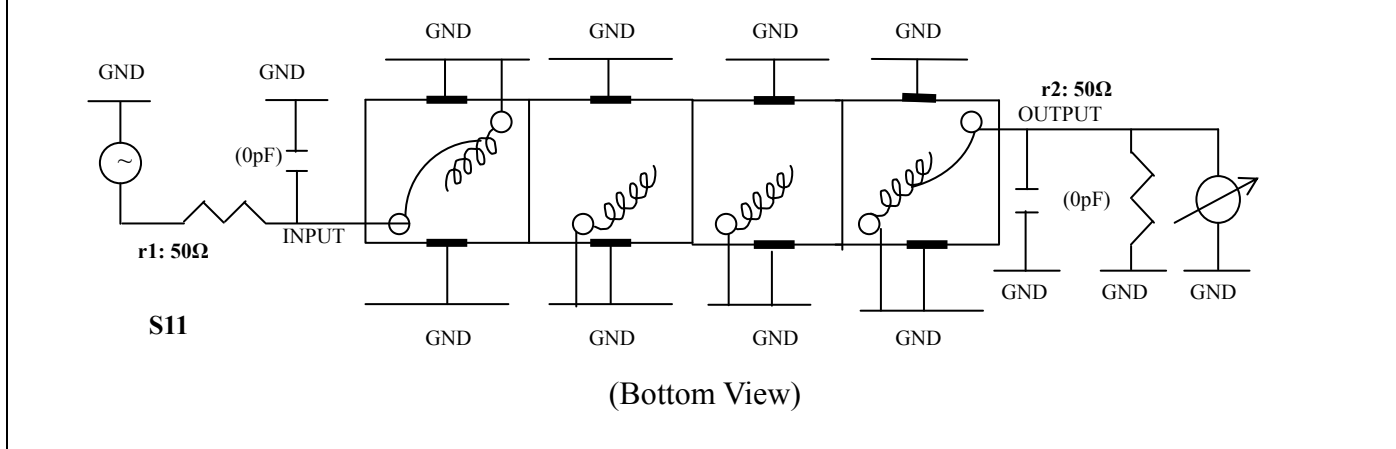
(5) Temperature Condition:

Operating Temperature	0°C ~ +60°C
Storage Temperature	-20°C ~ +70°C

(6) Input Power

> 1 Watt

(7) Measuring Circuit: ※Easy to match Impedance S11/S22 50Ω/ by parallel with about(0 pF) / (0 pF).



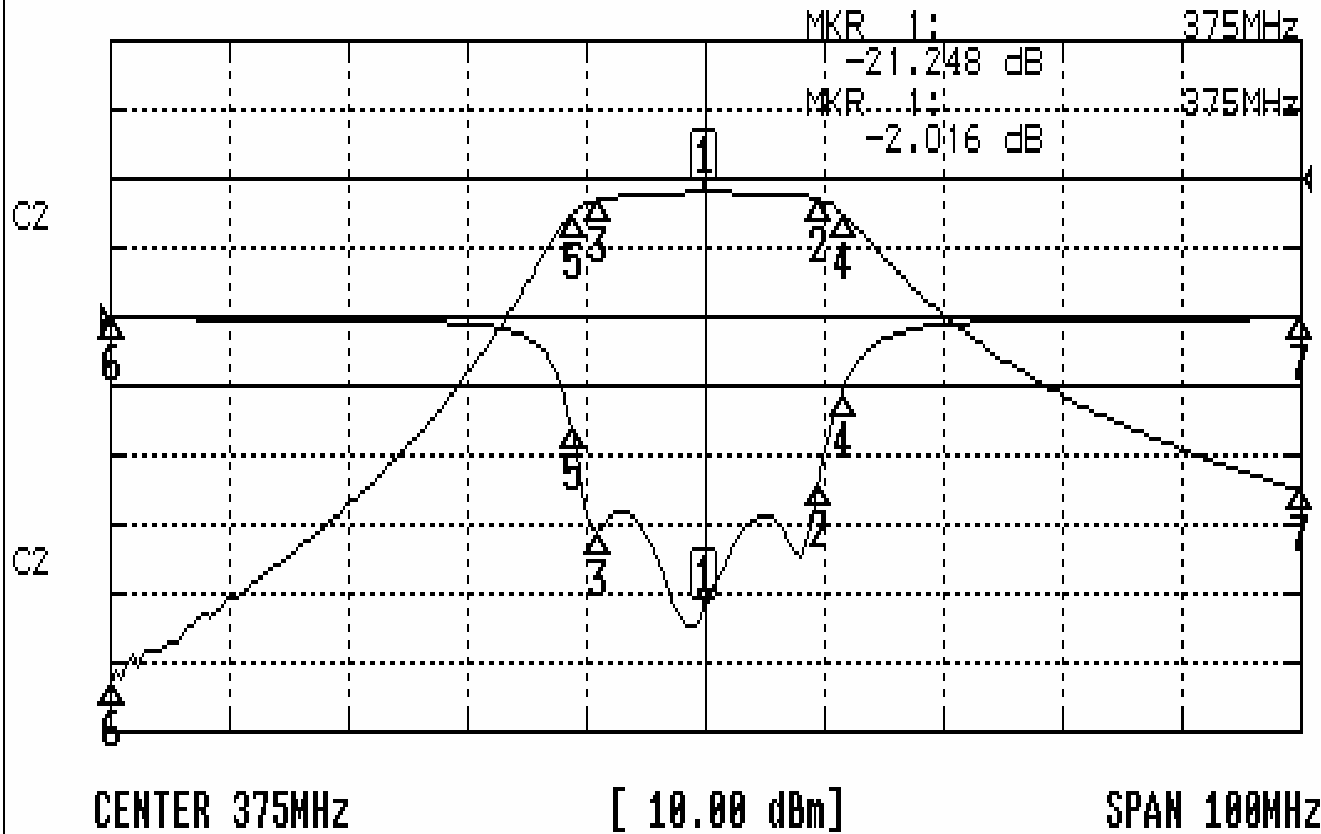
Approval	Supervisor	Designer	Aperture size
C.Y.Chang	C.S.Chang	P.H.Chiang	7H4(4*7.5) 7H046LB4 聚 3

TEMWELL CORPORATION

Performance-TF6971F-375M

0701142B

CH1 S11 LOG MAG REF 0.000 dB 5.000 dB/
CH2 S21 LOG MAG REF 0.000 dB 10.000 dB/



CH1 MARKER LIST

1:	375.000MHz	-21.248	dB
2:	384.5883MHz	-12.050	dB
3:	366.6MHz	-11.633	dB
4:	388.6MHz	-9.115	dB
5:	366.6MHz	-7.997	dB
6:	325.000MHz	-0.130	dB
7:	425.000MHz	-0.135	dB

CH2 MARKER LIST

1:	375.000MHz	-2.016	dB
2:	384.5883MHz	-3.027	dB
3:	366.6MHz	-3.050	dB
4:	388.6MHz	-3.012	dB
5:	366.6MHz	-3.043	dB
6:	325.000MHz	-73.434	dB
7:	425.000MHz	-44.929	dB