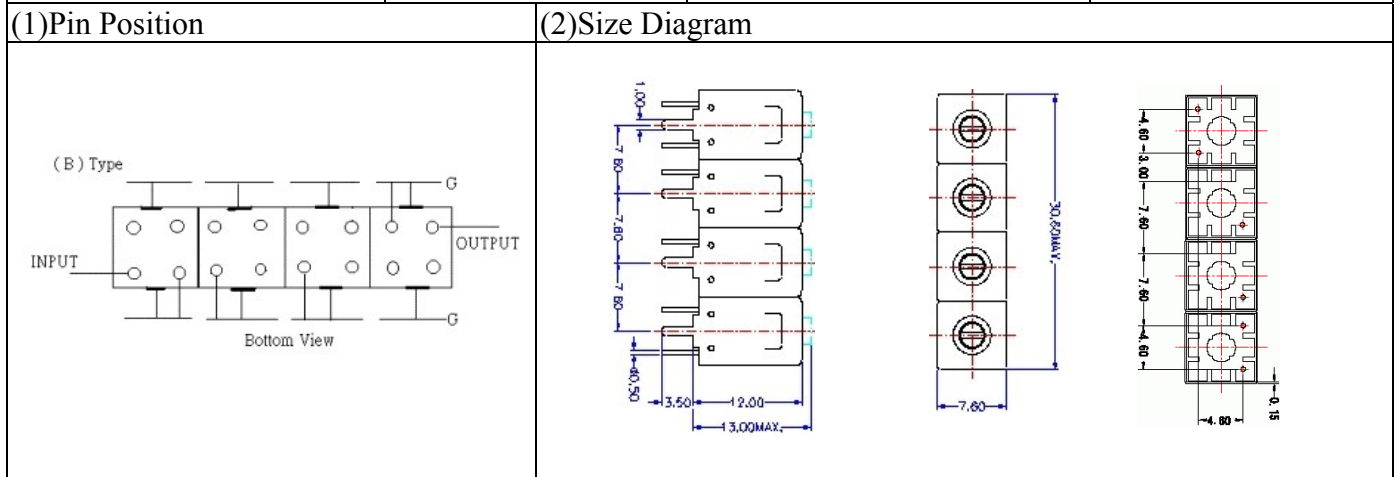


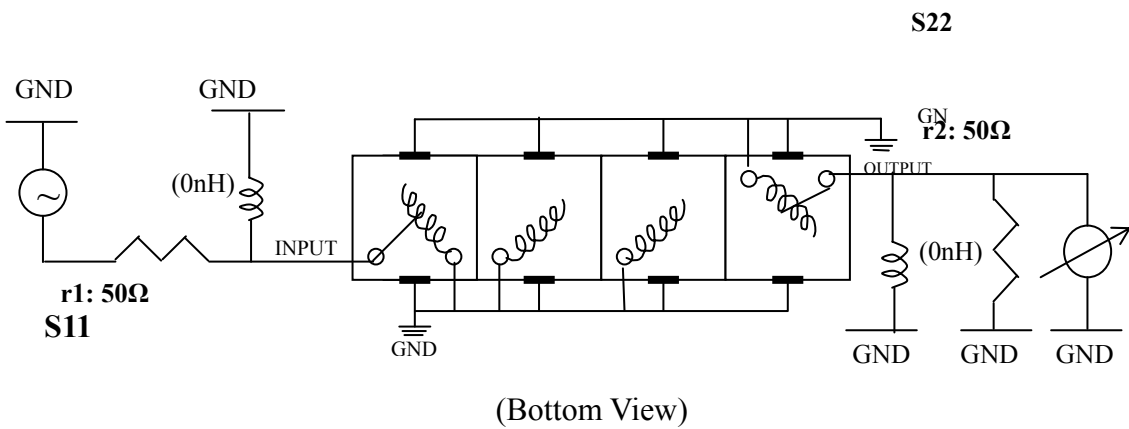
# VHF UHF Helical Filter Specification Sheet

Customer Name		Temwell's Part No.	TF69709B-152M
Approval No. /dated	0608035APR	Acceptable Fo Specify Range	146-165MHz
Work Instruction No.	0608035DC	Date	Nov.17.2006



(3) Electric Characteristic			
Item	Specify	Performance	
Center Freq.(Fo ) +/- 0.5 %	152 MHz	152 MHz	
Insertion Loss	Typ. 4.5 dB	3.62 dB	
-3 dB Bandwidth	Typ. 5 MHz	7.3 MHz	
Sensitivity (Attenuation)	Fo - 10 MHz	Typ. 40 dBc	43 dBc
	Fo + 10 MHz	Typ. 29 dBc	32 dBc
	Fo - ( )MHz	Typ. dBc	dBc
	Fo +( )MHz	Typ. dBc	dBc
Return Loss	Min. 12 dB	20.8 dB	
Ripple	< 1 dB	dB	
Impedance	In / Out : 50 Ω	In / Out : 50 Ω	
(4) Torque for Tuning Screw			
> 100gf • cm			
(5) Temperature Condition:			
Operating Temperature	0°C ~ +60°C		
Storage Temperature	-20°C ~ +70°C		
(6) Input Power			
> 1Watt			

(7) Measuring Circuit: ※ Easy to match Impedance S11/S22 50 Ω by parallel with about(0 nH) / (0 nH).

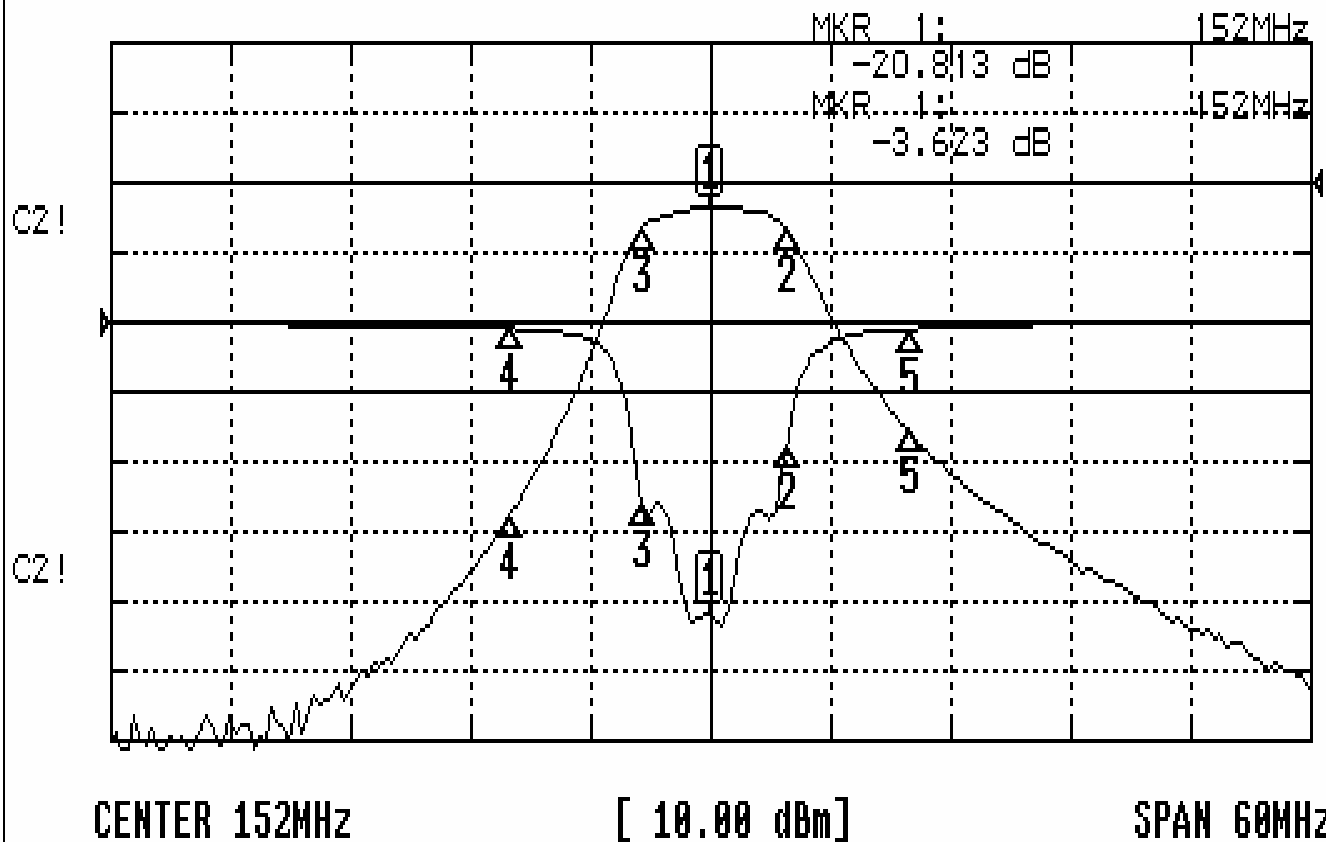


Approval	Supervisor	Designer	Aperture size
C.Y.Chang	C.S.Chang	P.H.Chiang	7H4( 4*6.5)(6.60) 7H024RB4

# Performance-TF69709B-152M

## 0608035DC

CH1 S11 LOG MAG REF 0.000 dB 5.000 dB/  
CH2 S21 LOG MAG REF 0.000 dB 10.000 dB/



### CH1 MARKER LIST

1:	152.000MHz	-20.813 dB
2:	155.850MHz	-8.580 dB
3:	148.550MHz	-12.952 dB
4:	142.000MHz	-0.429 dB
5:	162.000MHz	-0.454 dB

### CH2 MARKER LIST

1:	152.000MHz	-3.623 dB
2:	155.850MHz	-6.627 dB
3:	148.550MHz	-6.604 dB
4:	142.000MHz	-47.517 dB
5:	162.000MHz	-35.846 dB