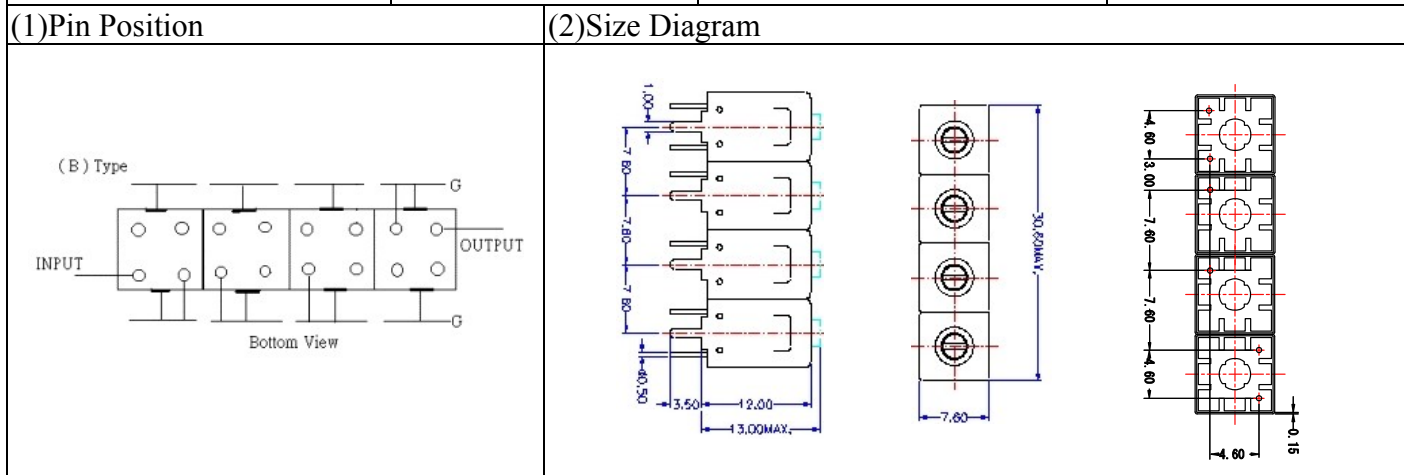


# VHF UHF Helical Filter Specification Sheet

xCustomer Name		Temwell's Part No.	TF69697B-293M
Approval No. /dated	201702025CD	Temwell's Print Name	69697B 293M
Work Instruction No.	201702025CD	Date	Feb.24.2018



### (3) Electric Characteristic

Item	Specify	Performance	
Center Freq.(Fo) +/- 0.5 %	293 MHz	293 MHz	
Insertion Loss	Typ. 2.5 dB	1.84 dB	
-3 dB Bandwidth	Typ. 20 MHz	23.6 MHz	
Sensitivity (Attenuation)	Fo - 30 MHz	Typ. 25 dBc	44 dBc
	Fo + 30 MHz	Typ. 20 dBc	33 dBc
	Fo - ( )MHz	Typ. dBc	dBc
	Fo +( )MHz	Typ. dBc	dBc
Return Loss	Min. 12 dB	18.2 dB	
Ripple	< 1 dB	dB	
Impedance	In / Out : 50 Ω	In / Out : 50 Ω	

(4) Torque for Tuning Screw > 60gf · cm

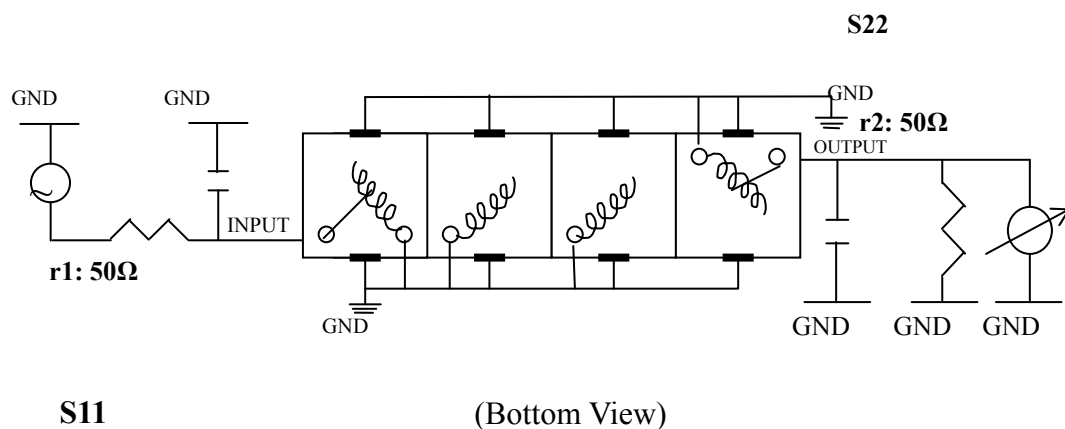
(5) Temperature Condition:

Operating Temperature 0°C ~ +60°C

Storage Temperature -20°C ~ +70°C

(6) Input Power > 1 Watt

(7) Measuring Circuit: ※Easy to match Impedance S11/S22 50Ω by parallel with about(- -).



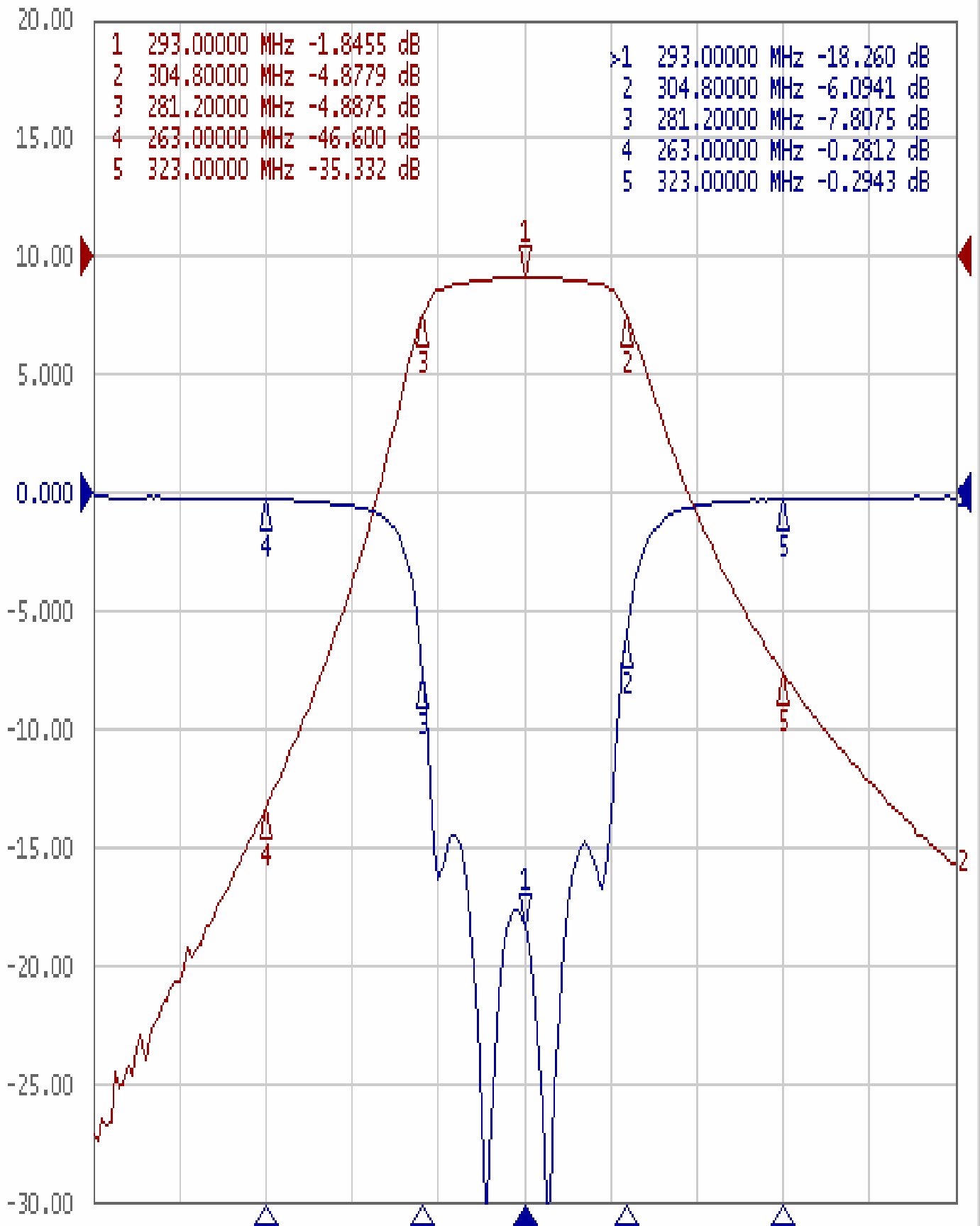
Approval	Supervisor	Designer	Aperture size
C.Y.Chang	C.K.Chang	W.W.Wang	7H4S(4*6.8)(6.83) 7H046LB5

TEMWELL CORPORATION

# Performance-TF69697B-293M

## 201702025CD

Tr1 S11 Log Mag 5.000dB/ Ref 0.000dB [F2]  
Tr2 S21 Log Mag 10.00dB/ Ref 0.000dB [F2]



1 Center 293 MHz

IFBW 70 kHz

Span 100 MHz Cor !