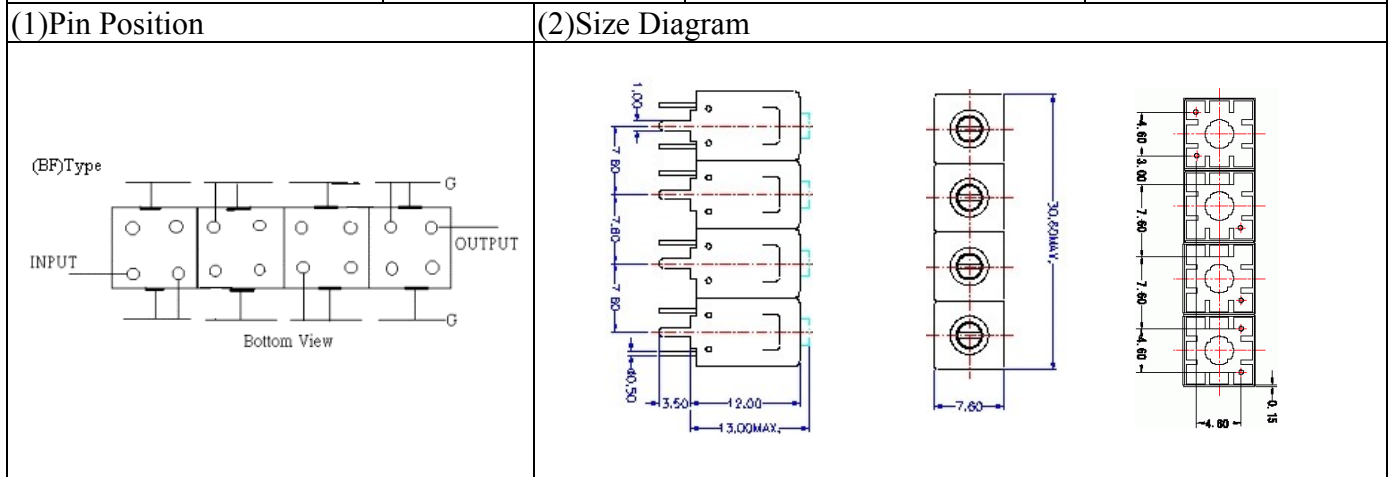


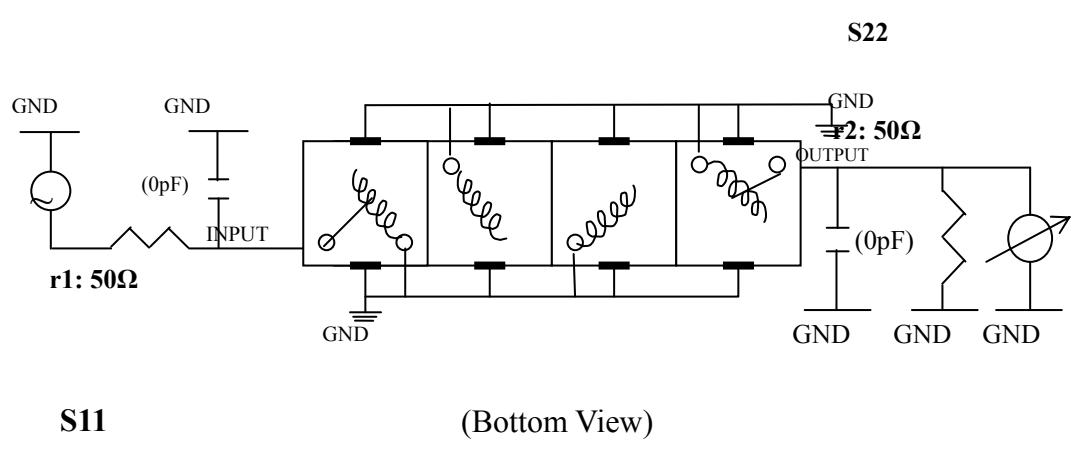
# VHF UHF Helical Filter Specification Sheet

Customer Name		Temwell's Part No.	TF69695BF-118M
Approval No. /dated	0712068APR	Acceptable Fo Specify Range	108~125MHz
Work Instruction No.	0712068BD	Date	Nov.25.2007



(3) Electric Characteristic		Specify	Performance
Center Freq.(Fo ) +/- 0.5 %		118 MHz	118 MHz
Insertion Loss		Typ. 2.0 dB	1.29 dB
-3 dB Bandwidth		Typ. 20 MHz	23.4 MHz
Sensitivity (Attenuation )	Fo - 30 MHz	Typ. 46 dBc	49 dBc
	Fo + 30 MHz	Typ. 32 dBc	35 dBc
	Fo - ( )MHz	Typ. dBc	dBc
	Fo +( )MHz	Typ. dBc	dBc
Return Loss		Min. 12 dB	19.7 dB
Ripple		< 1 dB	dB
Impedance		In / Out : 50 Ω	In / Out : 50 Ω
(4) Torque for Tuning Screw		> 100gf · cm	
(5) Temperature Condition:			
Operating Temperature		0°C ~ +60°C	
Storage Temperature		-20°C ~ +70°C	
(6) Input Power		> 1Watt	

(7) Measuring Circuit: ※ Easy to match Impedance S11/S22 50Ω/ by parallel with about(0 pF) / (0 pF).

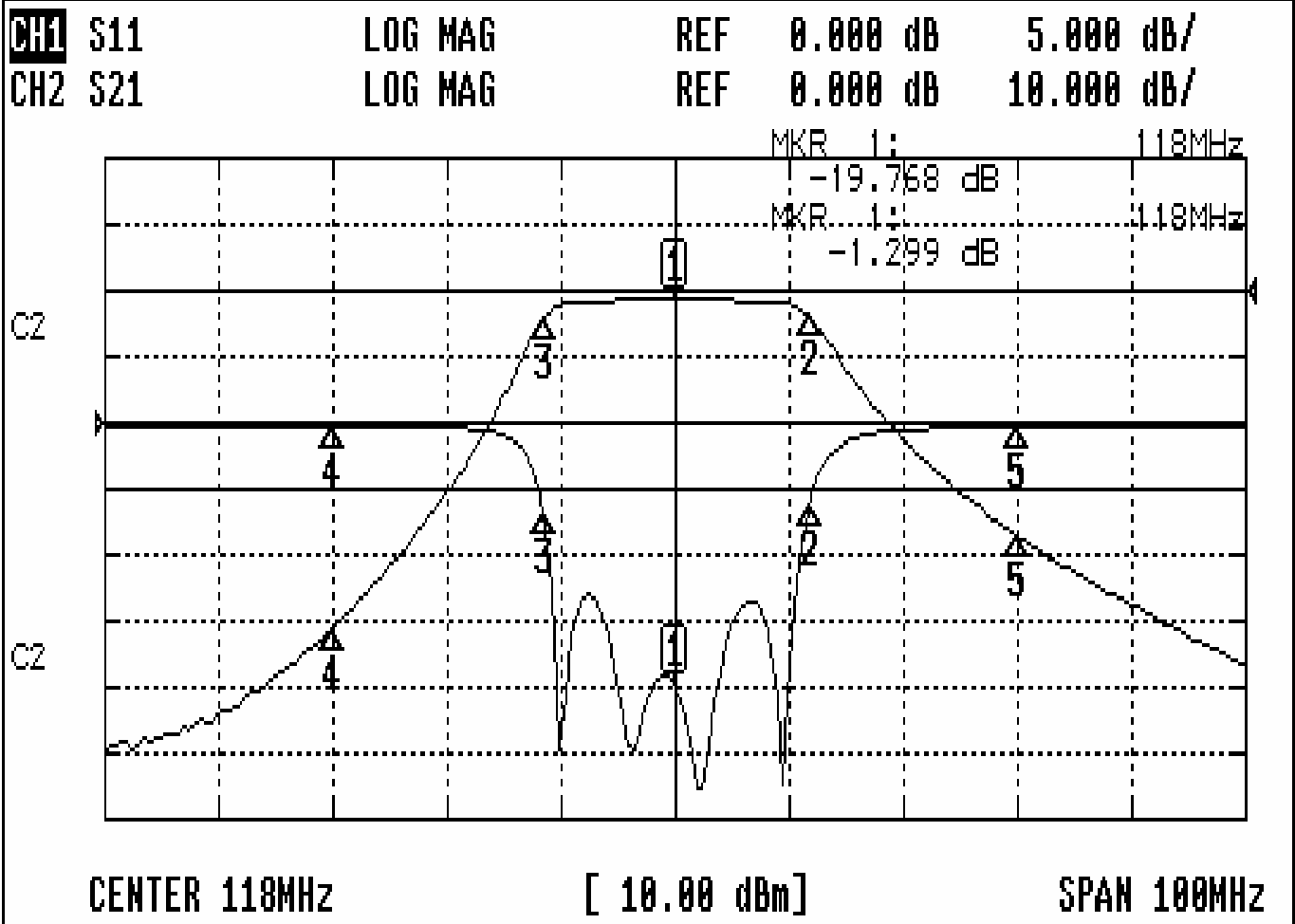


Approval	Supervisor	Designer	Aperture size
C.Y.Chang	C.S.Chang	P.H.Chiang	7H4(4*6.5)F 7H024LB6.5

TEMWELL CORPORATION

# Performance-TF69695BF-118M-20M

## 0712068BD



### CH1 MARKER LIST

1	118.000MHz	-19.762 dB
2	129.916MHz	-5.922 dB
3	106.500MHz	-6.883 dB
4	88.000MHz	-0.214 dB
5	148.000MHz	-0.305 dB

### CH2 MARKER LIST

1	118.000MHz	-1.299 dB
2	129.916MHz	-4.212 dB
3	106.500MHz	-4.268 dB
4	88.000MHz	-51.160 dB
5	148.000MHz	-36.992 dB