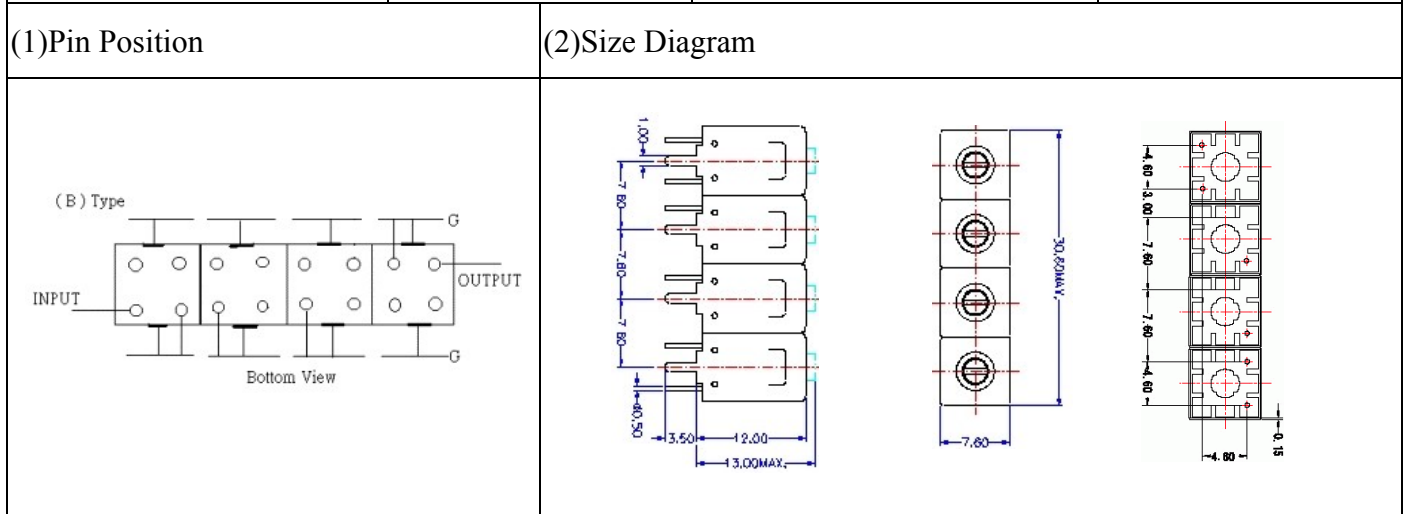


VHF UHF Helical Filter Specification Sheet

Customer Name		Temwell's Part No.	TF69676B1-130M
Approval No. /dated	0806079CD	Acceptable Fo Specify Range	126-145MHz
Work Instruction No.	0806079CD	Date	June.02.2008



(3) Electric Characteristic

Item	Specify	Performance	
Center Freq.(Fo) +/- 0.5 %	130 MHz	130 MHz	
Insertion Loss	Typ. 4.0 dB	2.97 dB	
-3 dB Bandwidth	Typ. 6 MHz	8.7 MHz	
Sensitivity (Attenuation)	Fo - 10 MHz	Typ. 23 dBc	26 dBc
	Fo + 10 MHz	Typ. 22 dBc	25 dBc
	Fo - ()MHz	Typ. dBc	dBc
	Fo +()MHz	Typ. dBc	dBc
Return Loss	Min. 12 dB	30.3 dB	
Ripple	< 1 dB	dB	
Impedance	In / Out : 50 Ω	In / Out : 50 Ω	
(4) Torque for Tuning Screw	> 100gf · cm		

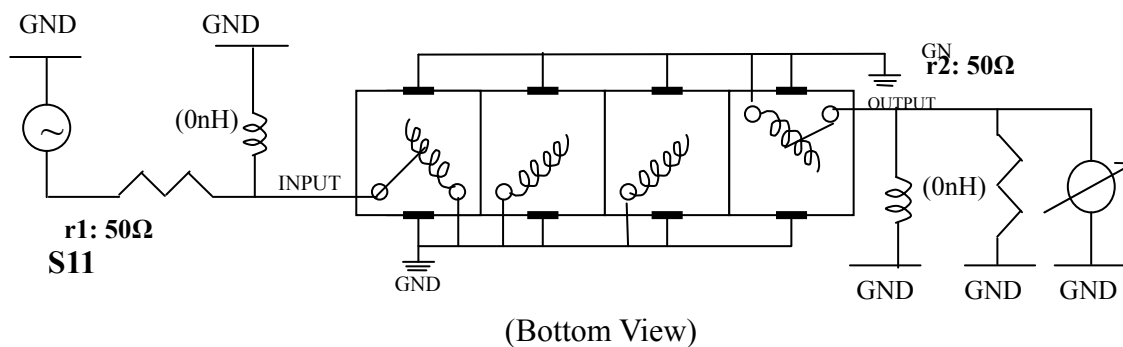
(5) Temperature Condition:

Operating Temperature	0°C ~ +60°C
Storage Temperature	-20°C ~ +70°C

(6) Input Power

(7) Measuring Circuit: ※Easy to match Impedance S11/S22 50 Ω by parallel with about(0 nH) / (0 nH).

S22

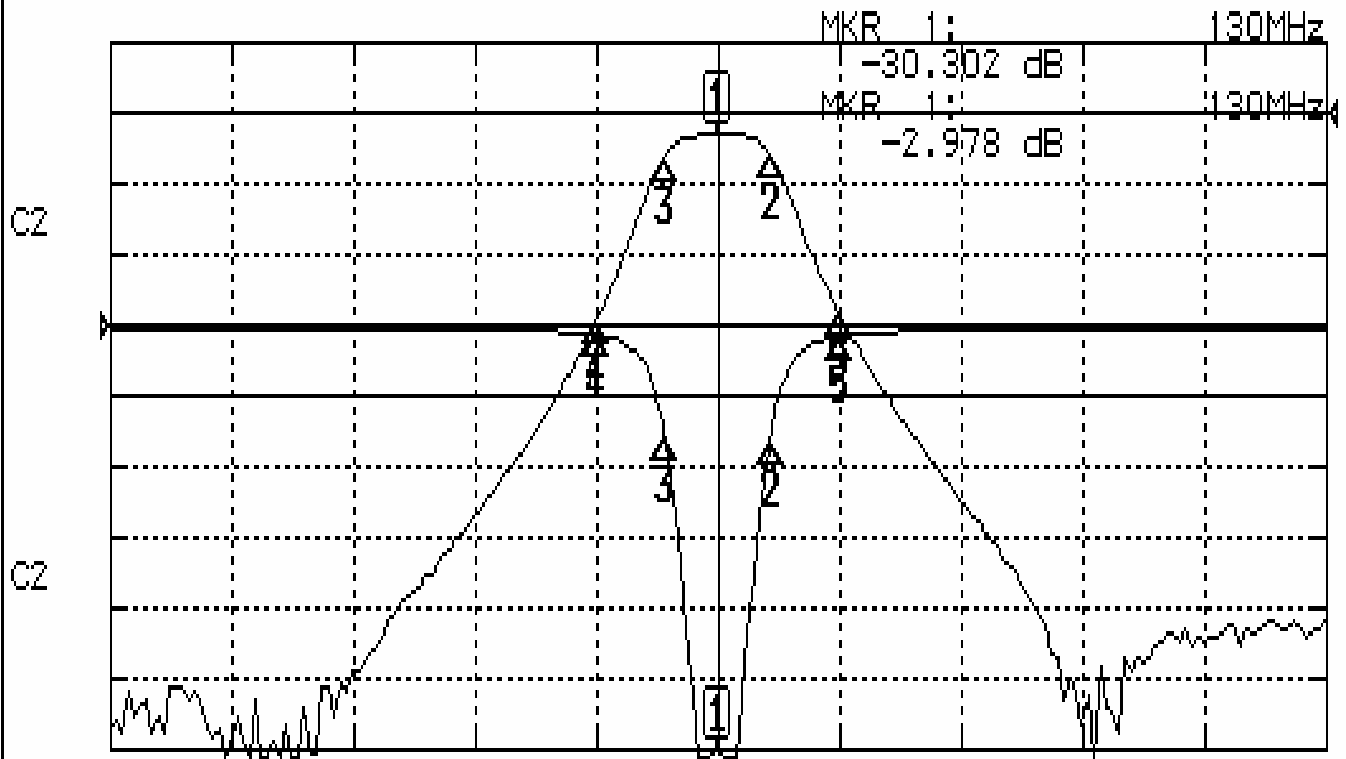


Approval C.Y.Chang	Supervisor C.S.Chang	Designer P.H.Chiang	Aperture size 7H4(4*4.65F) 7H024LB6.5
TEMWELL CORPORATION			

Performance-TF69676B1-130M

0806079CD

CH1 S11 LOG MAG REF 0.000 dB 5.000 dB/
CH2 S21 LOG MAG REF 0.000 dB 10.000 dB/



CENTER 130MHz [10.00 dBm] SPAN 100MHz

CH1 MARKER LIST

1	130.000MHz	-30.301	dB
2	134.333MHz	-1.000	dB
3	125.666MHz	-7.917	dB
4	120.000MHz	-0.703	dB
5	140.000MHz	-0.811	dB

CH2 MARKER LIST

1	130.000MHz	-2.978	dB
2	134.333MHz	-1.111	dB
3	125.666MHz	-1.111	dB
4	120.000MHz	-2.977	dB
5	140.000MHz	-2.207	dB