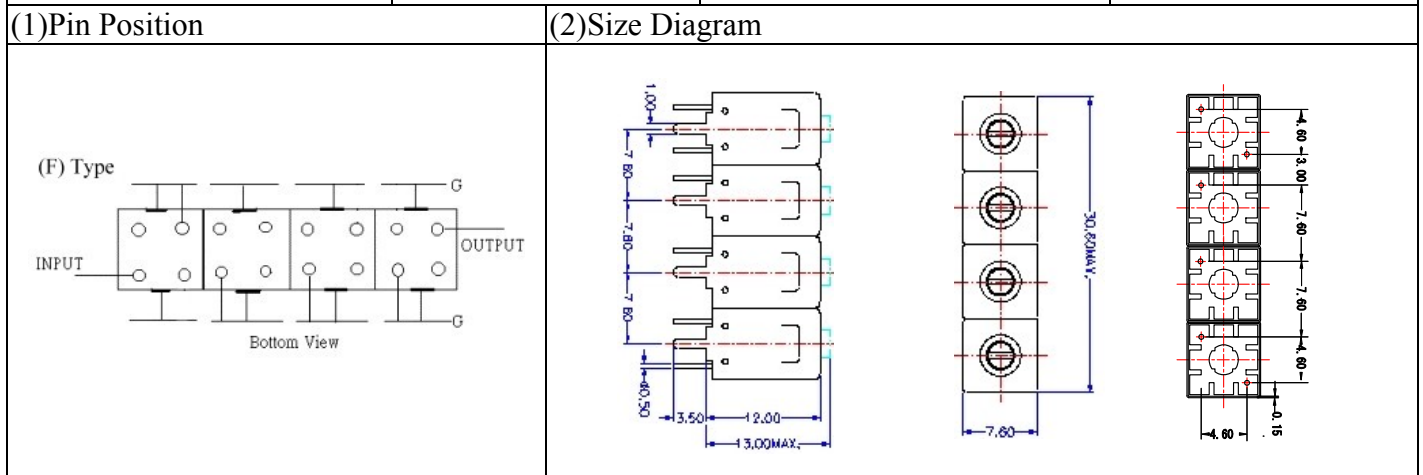


VHF UHF Helical Filter Specification Sheet

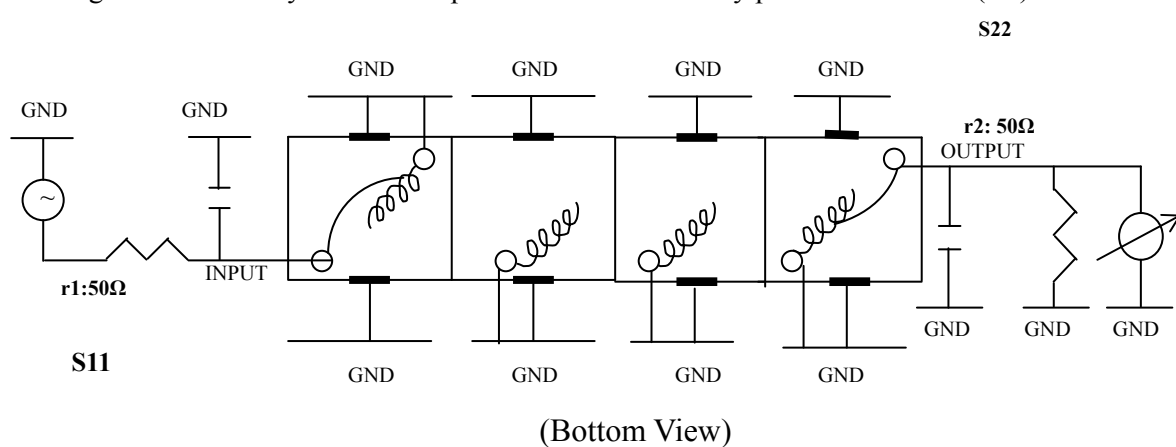
Customer Name		Temwell's Part No.	TF69672F-220M
Approval No. /dated	201702008CD	Temwell's Print name	69672F 220M
Work Instruction No.	201702008CD	Date	Feb.15.2017



(3) Electric Characteristic

Item	Specify	Performance	
Center Freq.(Fo) +/- 0.5 %	220 MHz	220 MHz	
Insertion Loss	Typ. 2.5 dB	1.59 dB	
-3 dB Bandwidth	Typ. 23 MHz	25.7 MHz	
Sensitivity (Attenuation)	Fo - (100) MHz	Typ. 60 dBc	69 dBc
	Fo + (100) MHz	Typ. 75 dBc	85 dBc
	Fo - () MHz	Typ. dBc	dBc
	Fo +() MHz	Typ. dBc	dBc
Return Loss	Min. 12 dB	24.3 dB	
Ripple	< 1 dB	dB	
Impedance	In / Out : 50 Ω	In / Out : 50 Ω	
(4) Torque for Tuning Screw	> 60gf • cm		
(5) Temperature Condition:			
Operating Temperature	0°C ~ +60°C		
Storage Temperature	-20°C ~ +70°C		
(6) Input Power	> 1 Watt		

(7) Measuring Circuit: ※Easy to match Impedance S11/S22 50Ω by parallel with about(--).



Approval	Supervisor	Designer	Aperture size
C.Y.Chang	C.K.Chang	W.W.Wang	7H4S(4*6.5)(6.53) 7H046RB6.5 (J1)

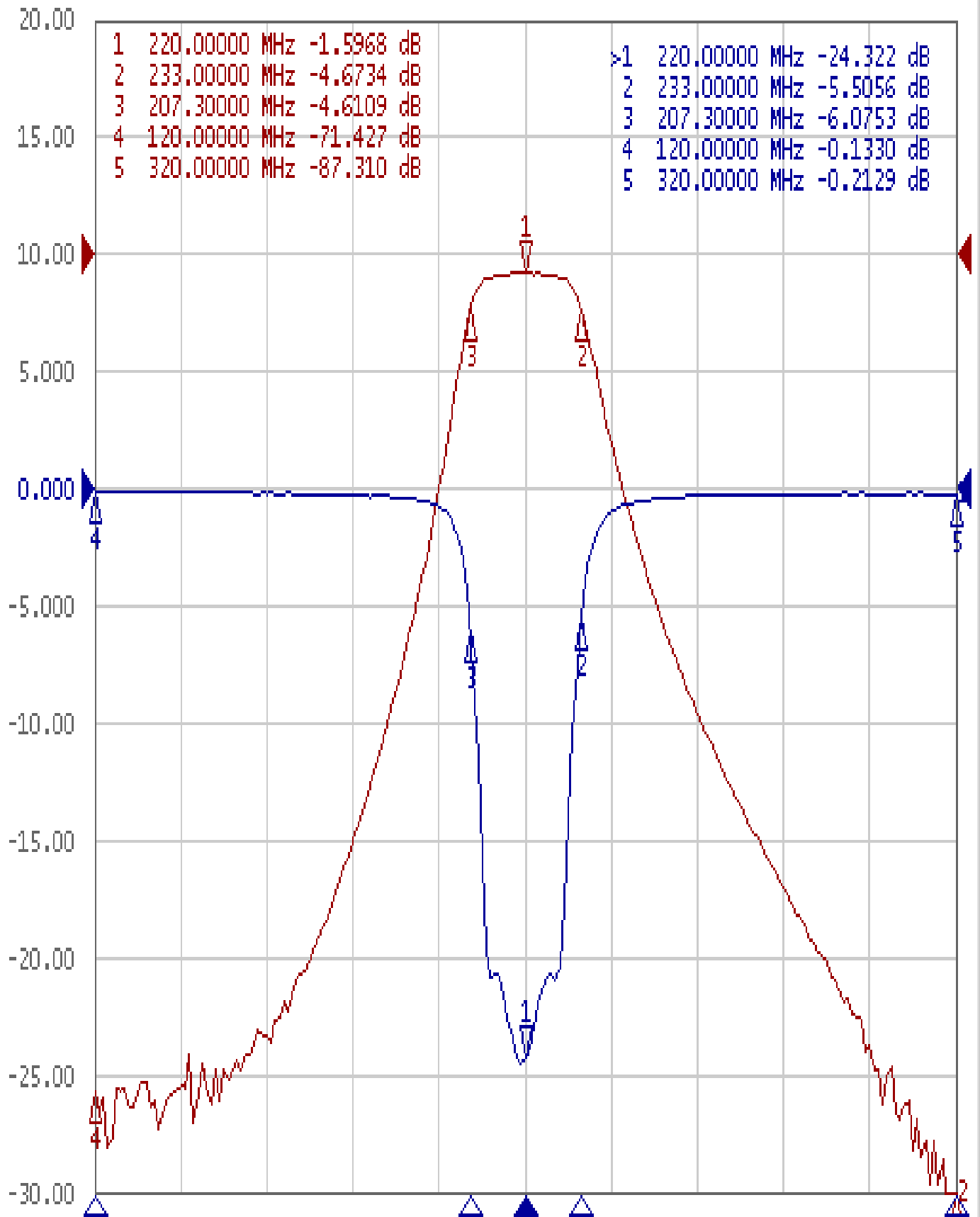
TEMWELL CORPORATION

Performance-TF69672F-220M

201702008CD

Tr1 S11 Log Mag 5.000dB/ Ref 0.000dB [F2]

Tr2 S21 Log Mag 10.00dB/ Ref 0.000dB [F2]



1 Center 220 MHz

IFBW 70 kHz

Span 200 MHz Cor !