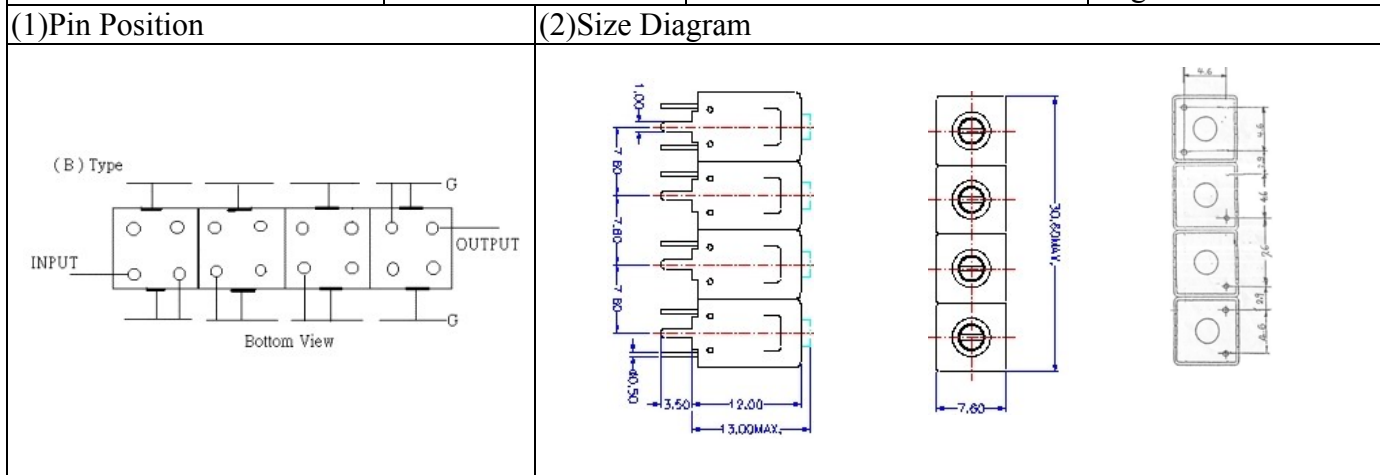


VHF UHF Helical Filter Specification Sheet

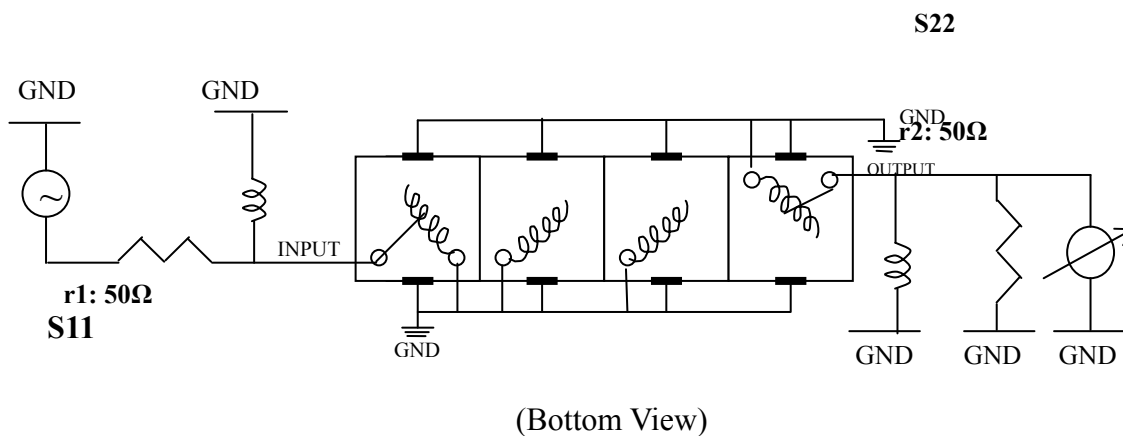
Customer Name		Temwell's Part No.	TF69655B1-825M
Approval No. /dated	201006074CD	Temwell's Print Name	69655B1 825M
Work Instruction No.	201006074CD	Date	Aug.31.2010



(3) Electric Characteristic

Item	Specify	Performance	
Center Freq.(Fo) +/- 0.5 %	825 MHz	825 MHz	
Insertion Loss	Typ. 2.5 dB	1.74 dB	
-3 dB Bandwidth	Typ. 55 MHz	62.8 MHz	
Sensitivity (Attenuation)	Fo - 100 MHz	Typ. 51 dBc	57 dBc
	Fo + 100 MHz	Typ. 36 dBc	37 dBc
	Fo - ()MHz	Typ. dBc	dBc
	Fo +()MHz	Typ. dBc	dBc
Return Loss	Min. 12 dB	30.0 dB	
Ripple	< 1 dB	dB	
Impedance	In / Out : 50 Ω	In / Out : 50 Ω	
(4) Torque for Tuning Screw	> 60gf • cm		
(5) Temperature Condition:			
Operating Temperature	0°C ~ +60°C		
Storage Temperature	-20°C ~ +70°C		
(6) Input Power	> 1Watt		

(7) Measuring Circuit: ※Easy to match Impedance S11/S22 50Ω/ by parallel with about(- nH) / (- nH).



Approval	Supervisor	Designer	Aperture size
C.Y.Chang	C.K.Chang	C.S.Chang	7H4S(4*6.5)(6.58) (7H046RB5.5)

TEMWELL CORPORATION

TEMWELL

RP (C.S.C)

Performance-TF69655B1-825M

201006074C

