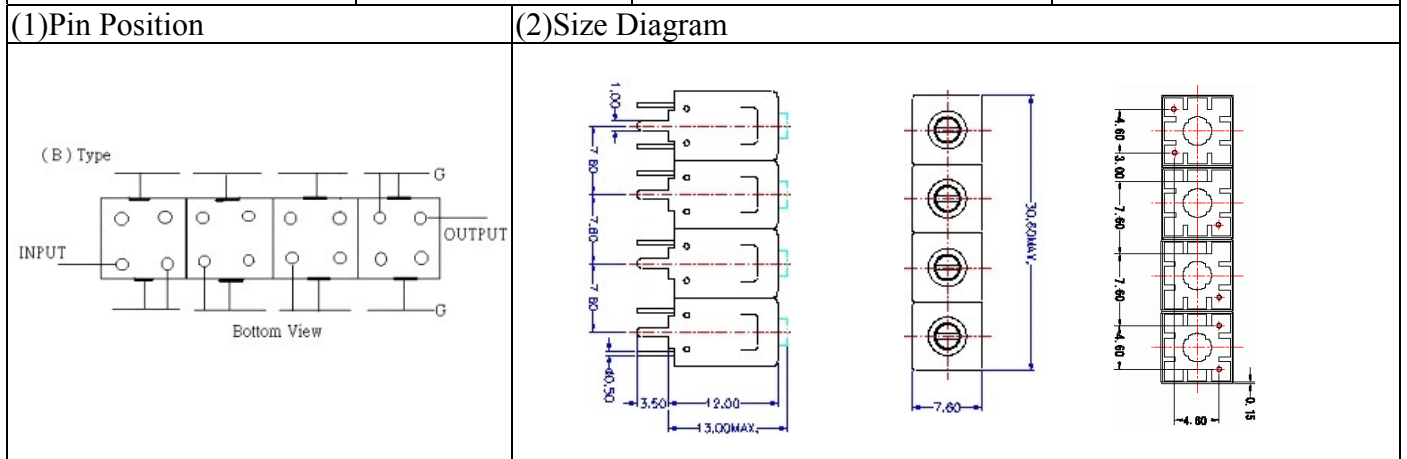


VHF UHF Helical Filter Specification Sheet

Customer Name		Temwell's Part No.	TF69654B-476.8M
Approval No. /dated	0510018APR	Acceptable Specify Fo. Range	456~515MHz
Work Instruction No.	0510018DC	Date	Oct.11.2005



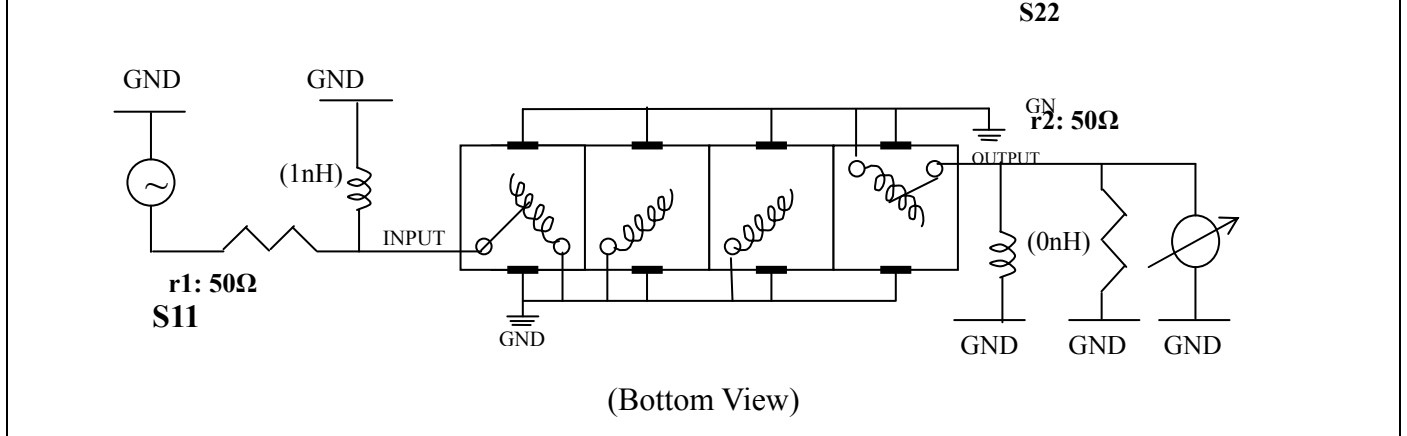
(3) Electric Character			
Item	Specify		Performance
Center Freq.(Fo) +/- 0.5 %	476.8	MHz	476.8 MHz
Insertion Loss	Typ. 3.5	dB	2.70 dB
-3 dB Bandwidth	Typ. 16	MHz	18.9 MHz
Sensitivity (Attenuation)	Fo - 50 MHz	Typ. 65 dBc	75 dBc
	Fo + 50 MHz	Typ. 48 dBc	56 dBc
	Fo - ()MHz	Typ. dBc	dBc
	Fo +()MHz	Typ. dBc	dBc
Return Loss	Min. 12	dB	20.8 dB
Ripple	< 1	dB	dB
Impedance	In / Out : 50 Ω		In / Out : 50 Ω

(4) Torque for Tuning Screw > 100gf · cm

(5) Temperature Condition:

Operating Temperature	0°C ~ +60°C
Storage Temperature	-20°C ~ +70°C

(6) Input Power > 1 Watt

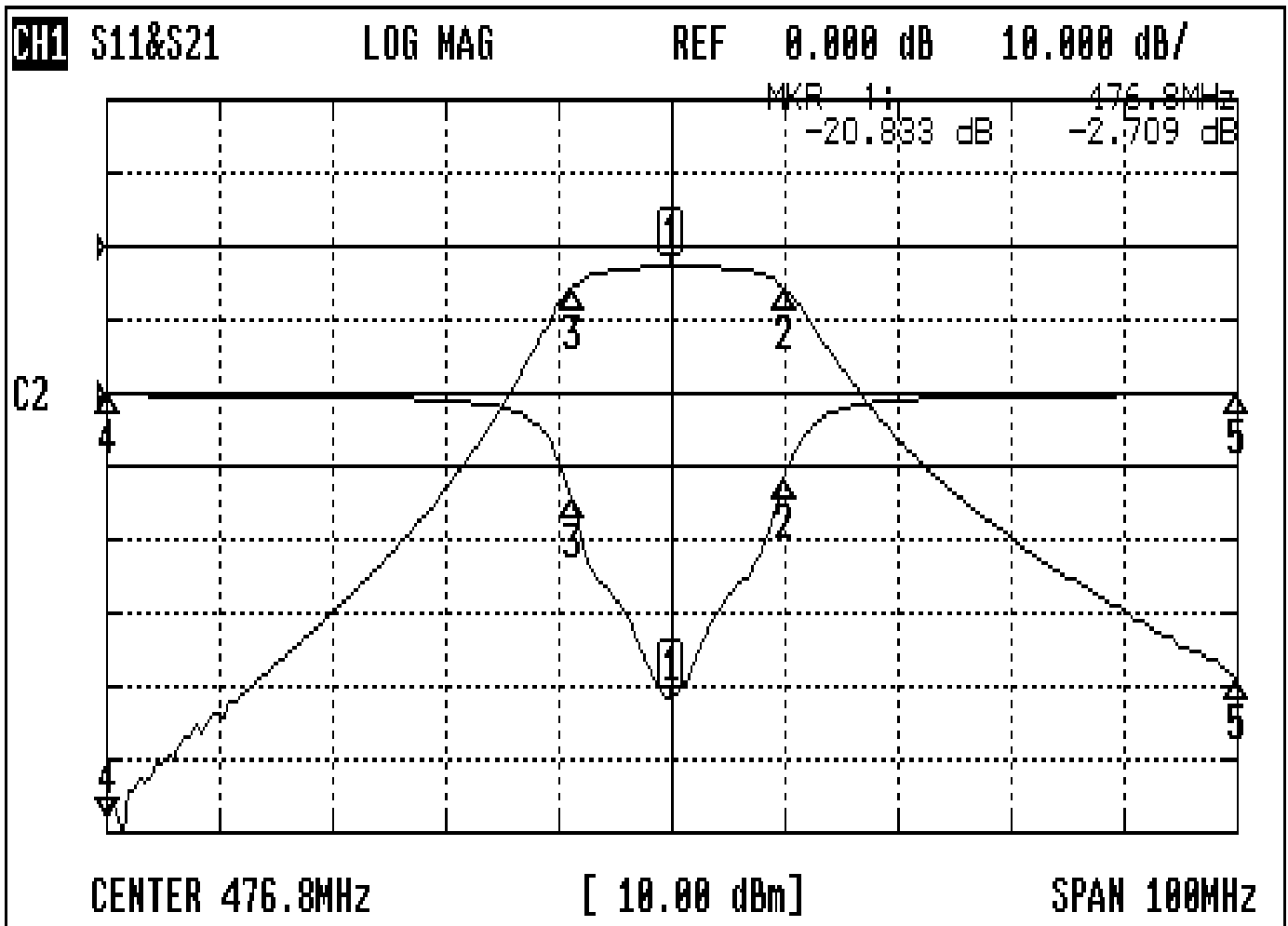


Approval	Supervisor	Designer	Aperture size
C.Y. Chang	C.S. Chang	P.H. Chiang	7H4(4*6.5)(6.59) 7H046LB4 聚 3

TEMWELL CORPORATION

Performance-TF69654B-476.8M

0510018DC



CH1 MARKER LIST

1:	476.800MHz	-20.833 dB	-2.709 dB
2:	486.800MHz	-5.906 dB	-5.703 dB
3:	467.966MHz	-7.203 dB	-5.755 dB
4:	426.800MHz	-0.114 dB	-77.788 dB
5:	526.800MHz	-0.095 dB	-58.715 dB
6:			
7:			
8:			
9:			
10:			