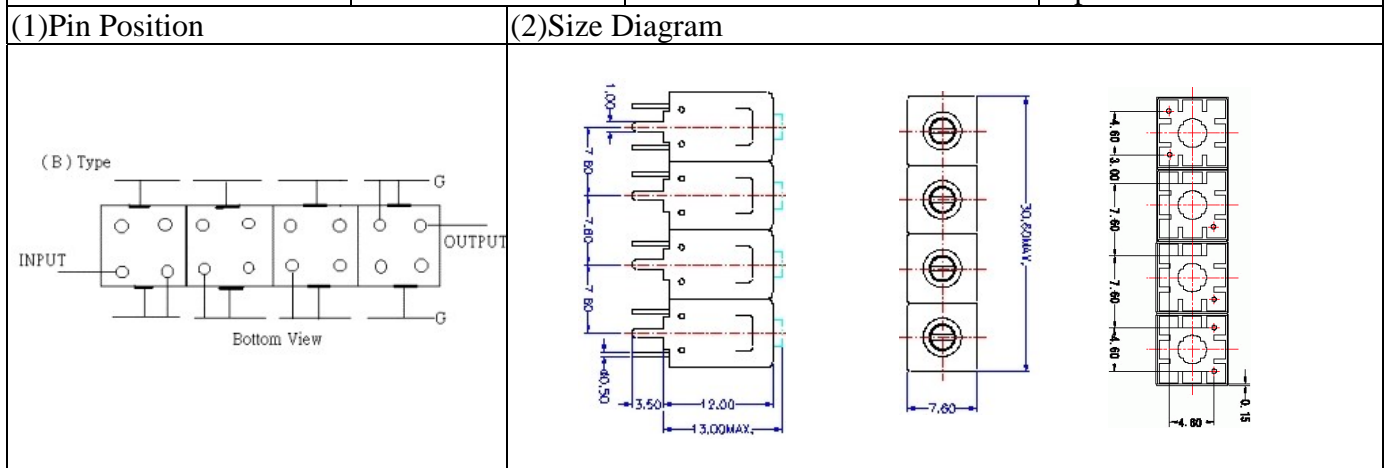


# VHF UHF Helical Filter Specification Sheet

Customer Name		Temwell's Part No.	TF69651B-675M
Approval No. /dated	0509081APR	Acceptable Specify Fo. Range	660~700MHz
Work Instruction No.	0509081DC	Date	Sep.28.2005



(3) Electric Character

Item	Specify	Performance	
Center Freq.(Fo ) +/- 0.5 %	675 MHz	675 MHz	
Insertion Loss	Typ. 2.5 dB	1.51 dB	
-3 dB Bandwidth	Typ. 50 MHz	57.2 MHz	
Sensitivity (Attenuation)	Fo - 50 MHz	Typ. 24 dBc	27 dBc
	Fo + 50 MHz	Typ. 15 dBc	18 dBc
	Fo - ( )MHz	Typ. dBc	dBc
	Fo +( )MHz	Typ. dBc	dBc
Return Loss	Min. 12 dB	20 dB	
Ripple	< 1 dB	dB	
Impedance	In / Out : 50 Ω	In / Out : 50 Ω	

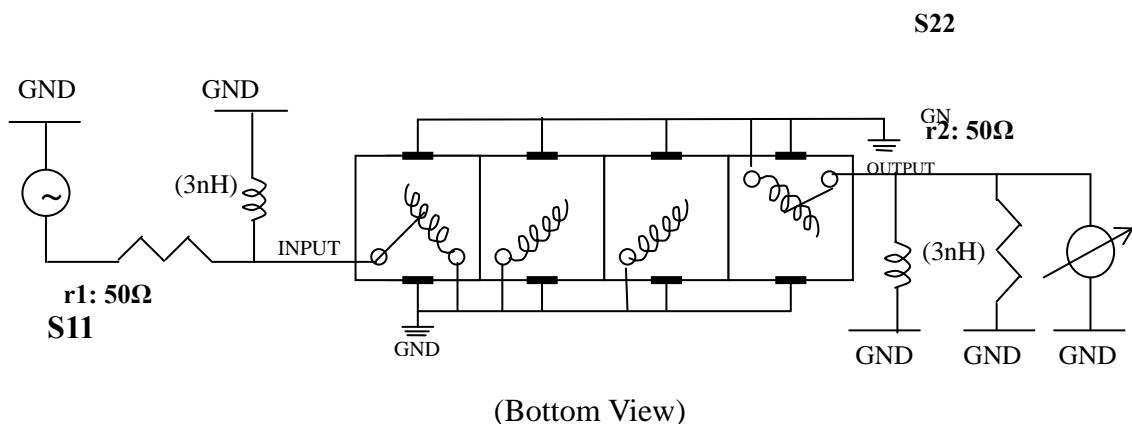
(4) Torque for Tuning Screw > 60gf · cm

(5) Temperature Condition:

Operating Temperature	-30°C ~ +70°C
Storage Temperature	-30°C ~ +80°C

(6) Input Power > 1Watt

(7) Measuring Circuit: ※Easy to match Impedance S11/S22 50 by parallel with about(3 nH) / (3nH).

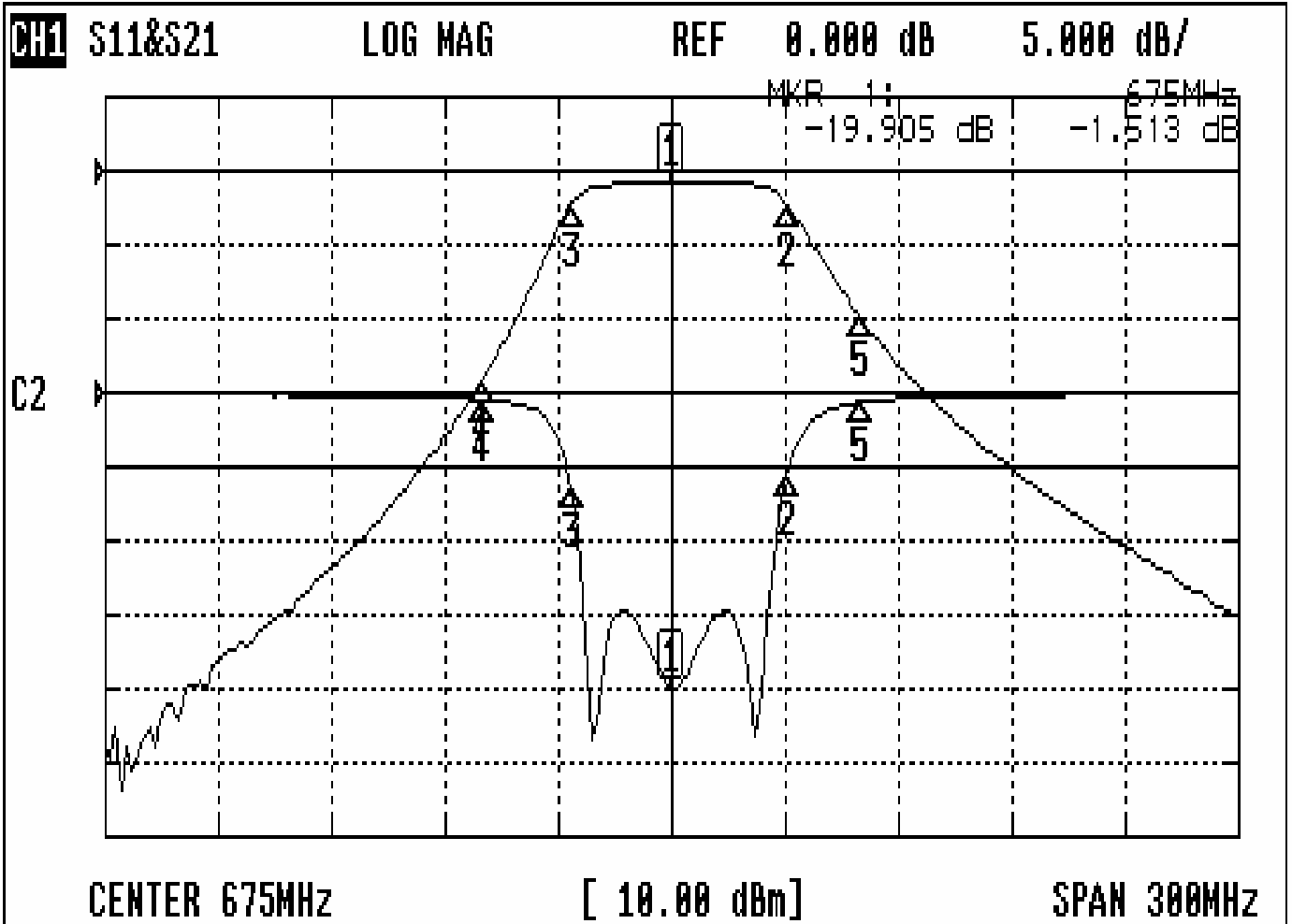


Approval	Supervisor	Designer	Aperture size
C.Y. Chang	C.S. Chang	C.S. Chang	7H4, 4*7.5

TEMWELL CORPORATION

# Performance-TF69651B-675M

0509081DC



## CH1 MARKER LIST

1:	675.000MHz	-19.905 dB	-1.513 dB
2:	705.750MHz	-5.596 dB	-4.561 dB
3:	648.500MHz	-6.456 dB	-4.492 dB
4:	625.000MHz	-0.418 dB	-28.288 dB
5:	725.000MHz	-0.618 dB	-19.649 dB
6:			
7:			
8:			
9:			
10:			