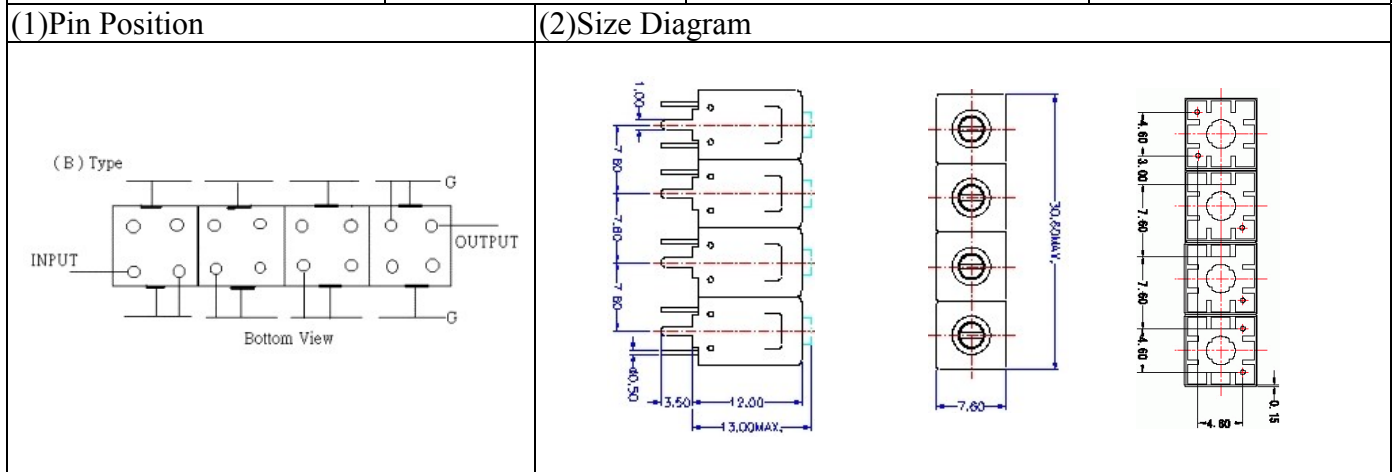


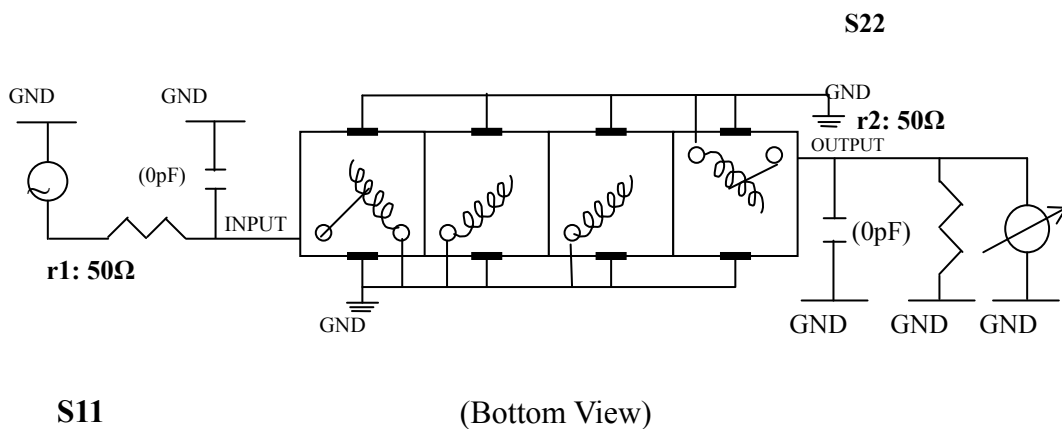
VHF UHF Helical Filter Specification Sheet

Customer Name		Temwell's Part No.	TF69650B-625M
Approval No. /dated	0902038CD	Temwell's Print Name	69650B 625M
Work Instruction No.	200902038CD	Date	Mar.24.2009



(3) Electric Characteristic		Specify	Performance
Center Freq.(Fo) +/- 0.5 %		625 MHz	625 MHz
Insertion Loss		Typ. 3.0 dB	1.93 dB
-3 dB Bandwidth		Typ. 30 MHz	33.5 MHz
Sensitivity (Attenuation)	Fo - 50 MHz	Typ. 46 dBc	49 dBc
	Fo + 50 MHz	Typ. 34 dBc	37 dBc
	Fo - ()MHz	Typ. dBc	dBc
	Fo +()MHz	Typ. dBc	dBc
Return Loss		Min. 12 dB	23.0 dB
Ripple		< 1 dB	dB
Impedance		In / Out : 50 Ω	In / Out : 50 Ω
(4) Torque for Tuning Screw		> 100gf · cm	
(5) Temperature Condition:			
Operating Temperature		0°C ~ +60°C	
Storage Temperature		-20°C ~ +70°C	
(6) Input Power		> 1Watt	

(7) Measuring Circuit: ※Easy to match Impedance S11/S22 50Ω/ by parallel with about(0pF) / (0 pF).



Approval	Supervisor	Designer	Aperture size
C.Y.Chang	C.K.Chang	C.S.Chang	7H4(4*7.5F)(7.54) (7H046LB4.3 聚 3)

TEMWELL CORPORATION

Performance-TF69650B-625M

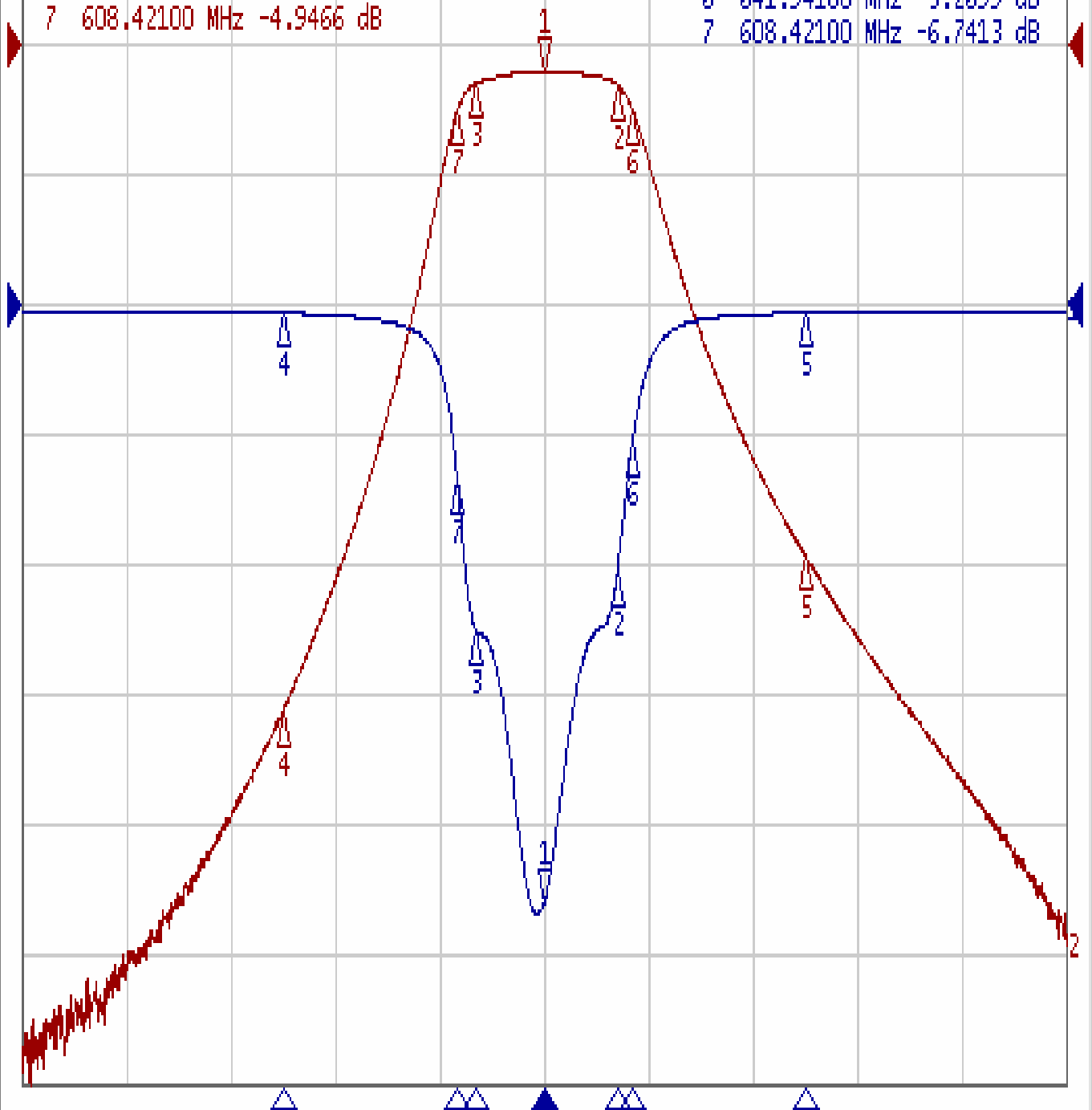
200902038CD

Tr1 S11 Log Mag 5.000dB/ Ref 0.000dB [F3]

Tr2 S21 Log Mag 10.000dB/ Ref 0.000dB [F3]

1	625.00000 MHz	-1.9304 dB
2	639.04000 MHz	-2.9902 dB
3	611.82300 MHz	-2.9160 dB
4	575.00000 MHz	-51.287 dB
5	675.00000 MHz	-39.325 dB
6	641.94100 MHz	-4.9508 dB
7	608.42100 MHz	-4.9466 dB

>1	625.00000 MHz	-23.057 dB
2	639.04000 MHz	-10.275 dB
3	611.82300 MHz	-12.476 dB
4	575.00000 MHz	-0.2925 dB
5	675.00000 MHz	-0.2780 dB
6	641.94100 MHz	-5.2699 dB
7	608.42100 MHz	-6.7413 dB



1 Center 625 MHz

IFBW 10 kHz

Span 200 MHz

