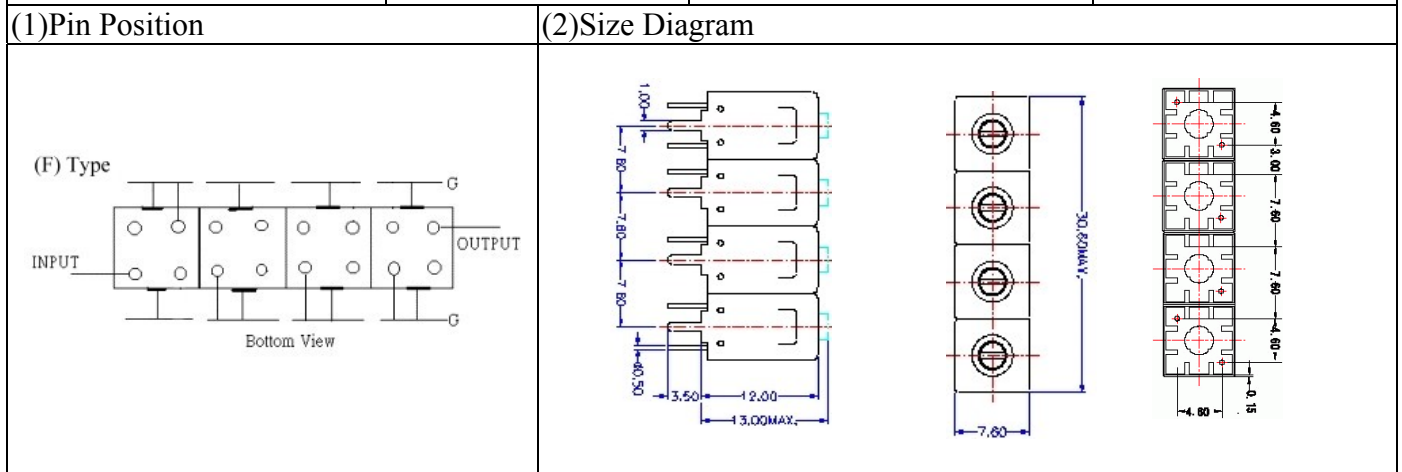


VHF UHF Helical Filter Specification Sheet

Customer Name		Temwell's Part No.	TF69648F-790M
Approval No. /dated	0906008CD	Customer's Print Name.	69648F 790M
Work Instruction No.	200906008CD	Date	Jun.09.2009



(3) Electric Characteristic

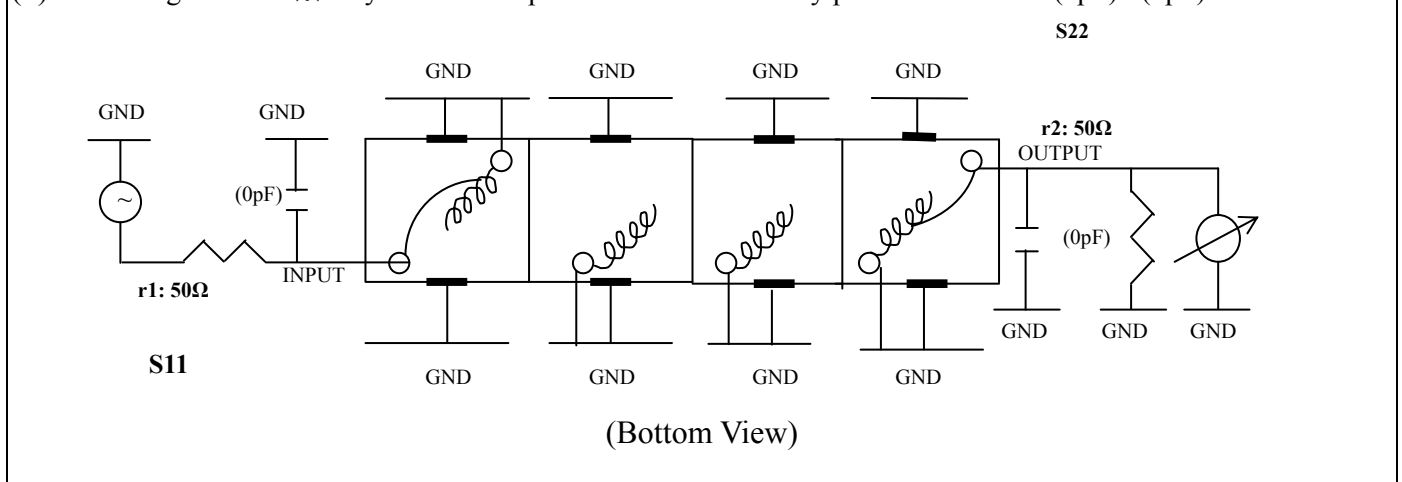
Item	Specify	Performance	
Center Freq.(Fo) +/- 0.5 %	790 MHz	790 MHz	
Insertion Loss	Typ. 3.5 dB	2.59 dB	
-3 dB Bandwidth	Typ. 25 MHz	31.3 MHz	
Sensitivity (Attenuation)	Fo - (50) MHz	Typ. 51 dBc	54 dBc
	Fo + (50) MHz	Typ. 35 dBc	38 dBc
	Fo - () MHz	Typ. dBc	dBc
	Fo + () MHz	Typ. dBc	dBc
Return Loss	Min. 12 dB	19.8 dB	
Ripple	< 1 dB	dB	
Impedance	In / Out : 50 Ω	In / Out : 50 Ω	
(4) Torque for Tuning Screw	> 100gf • cm		

(5) Temperature Condition:

Operating Temperature	0°C ~ +60°C
Storage Temperature	-20°C ~ +70°C

(6) Input Power

(7) Measuring Circuit: ※Easy to match Impedance S11/S22 50Ω by parallel with about(0pF) / (0pF).



Approval	Supervisor	Designer	Aperture size
C.Y.Chang	C.K.Chang	C.S.Chang	7H4S(4*6.5F)(6.52) 7H046LB4.3 聚 3

TEMWELL CORPORATION

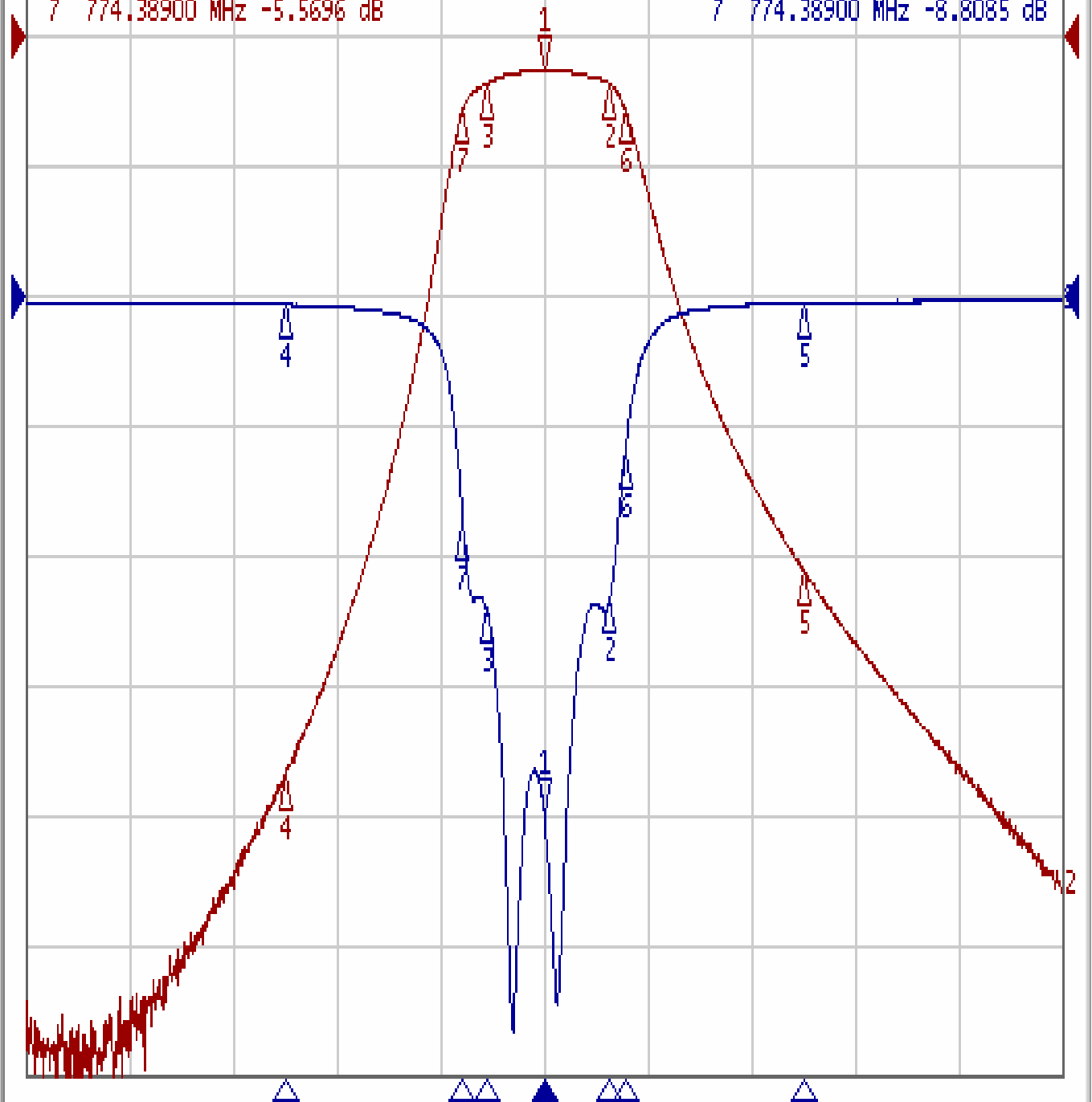
Performance-TF69648F-790M

200906008CD

Tr1 S11 Log Mag 5.000dB/ Ref 0.000dB [F3]
Tr2 S21 Log Mag 10.000dB/ Ref 0.000dB [F3]

1	790.00000 MHz	-2.5915 dB
2	802.75600 MHz	-3.5913 dB
3	778.85550 MHz	-3.5660 dB
4	740.00000 MHz	-56.942 dB
5	840.00000 MHz	-41.133 dB
6	805.60100 MHz	-5.5663 dB
7	774.38900 MHz	-5.5696 dB

>1	790.00000 MHz	-19.857 dB
2	802.75600 MHz	-11.581 dB
3	778.85550 MHz	-12.043 dB
4	740.00000 MHz	-0.3099 dB
5	840.00000 MHz	-0.2444 dB
6	805.60100 MHz	-6.1145 dB
7	774.38900 MHz	-8.8085 dB



1 Center 790 MHz

IFBW 10 kHz

Span 200 MHz

C7 !