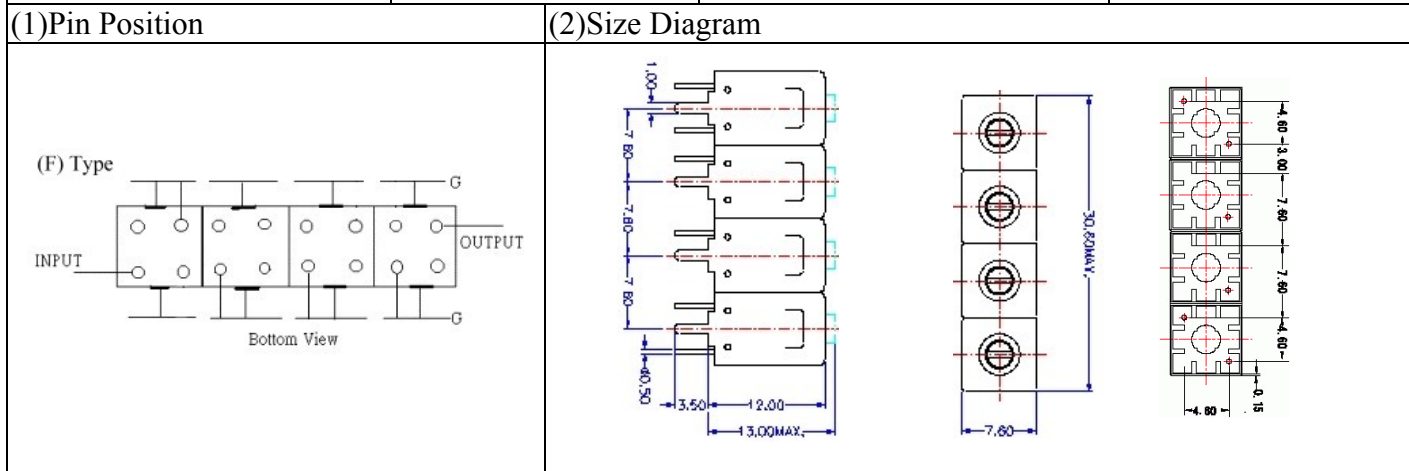


# VHF UHF Helical Filter Specification Sheet

Customer Name		Temwell's Part No.	TF69635F-1490M
Approval No. /dated	201709022CD	Temwell's Print name	69635F 1490M
Work Instruction No.	201709022CD	Date	Nov.15.2017



### (3) Electric Characteristic

Item	Specify	Performance	
Center Freq.(Fo) +/- 0.5 %	1490 MHz	1490 MHz	
Insertion Loss	Typ. 4.0 dB	3.00 dB	
-3 dB Bandwidth	Typ. 35 MHz	49.1 MHz	
Sensitivity (Attenuation)	Fo - (50) MHz	Typ. 19 dBc	24 dBc
	Fo + (50) MHz	Typ. 14 dBc	19 dBc
	Fo - ( ) MHz	Typ. dBc	dBc
	Fo + ( ) MHz	Typ. dBc	dBc
Return Loss	Min. 12 dB	21.8 dB	
Ripple	< 1 dB	dB	
Impedance	In / Out : 50 Ω	In / Out : 50 Ω	

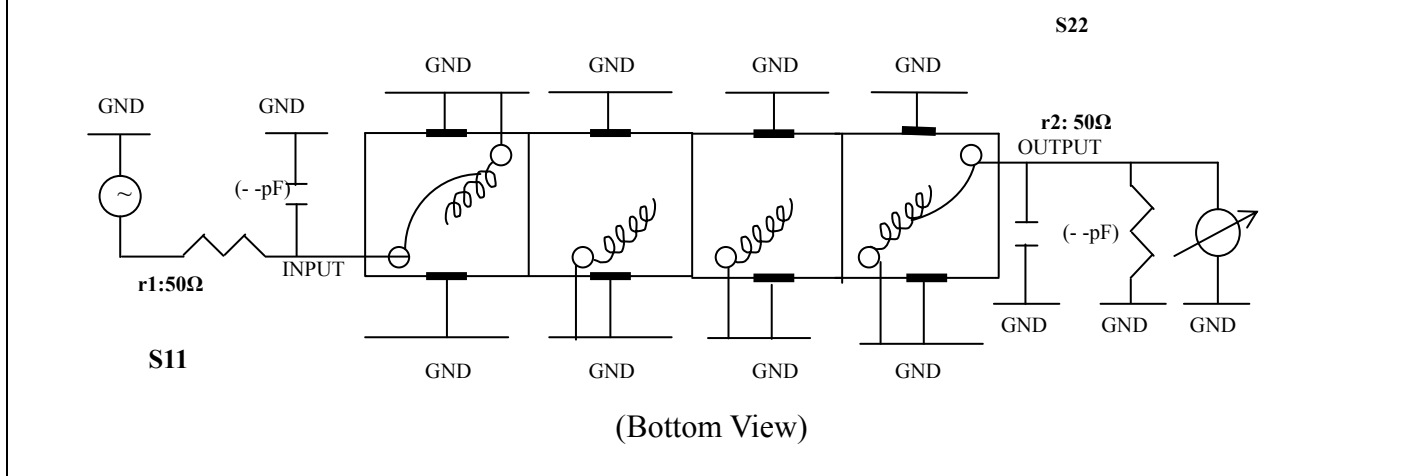
(4) Torque for Tuning Screw > 60gf • cm

### (5) Temperature Condition:

Operating Temperature	0°C ~ +60°C
Storage Temperature	-20°C ~ +70°C

(6) Input Power > 1Watt

(7) Measuring Circuit: ※Easy to match Impedance S11/S22 50Ω by parallel with about(- pF) / (- pF).



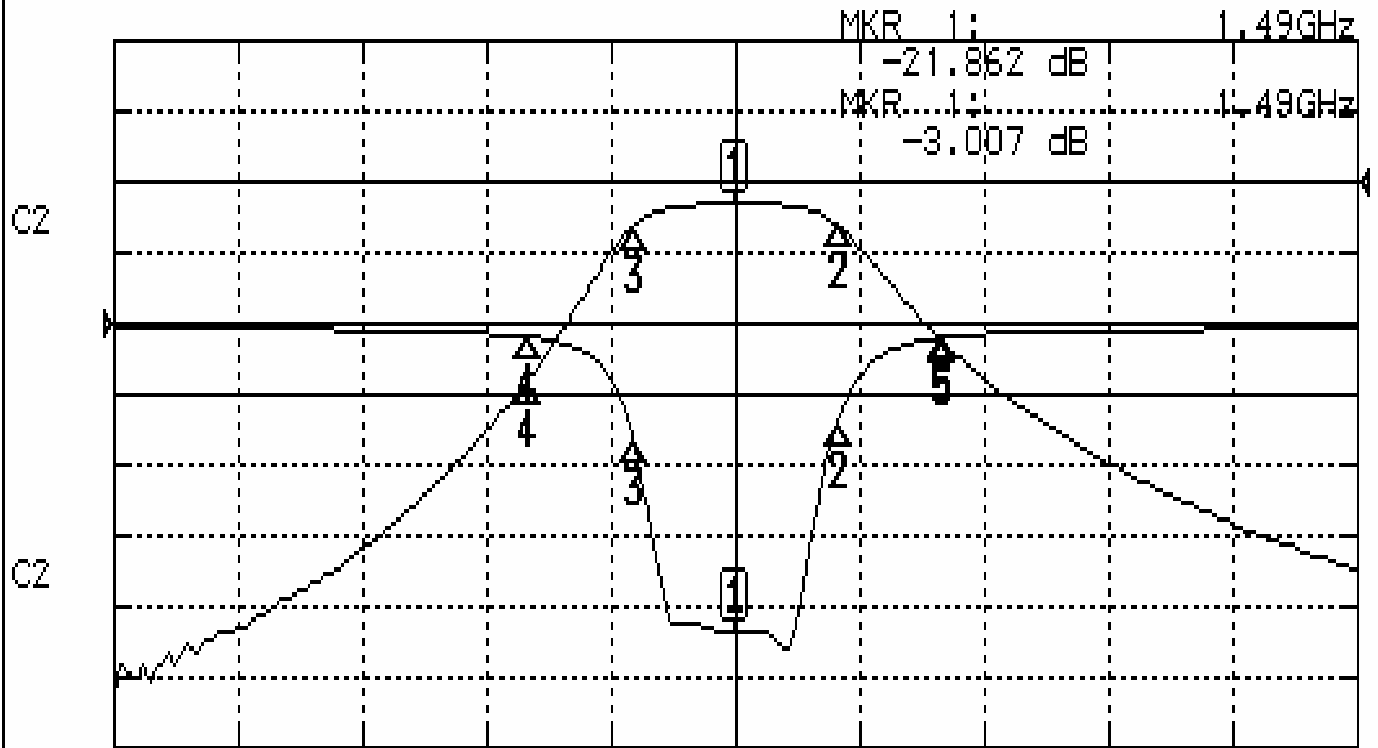
Approval	Supervisor	Designer	Aperture size
C.Y.Chang	C.K.Chang	C.H.Yeh	7H4S(4*5.5)(5.58) 7H046LB5(J1)

TEMWELL CORPORATION

# Performance-TF69635F-1490M

## 201709022CD

CH1 S11 LOG MAG REF 0.000 dB 5.000 dB/  
CH2 S21 LOG MAG REF 0.000 dB 10.000 dB/



CENTER 1.49GHz

[ 10.00 dBm ]

SPAN 300MHz

### CH1 MARKER LIST

Marker	Freq (GHz)	Magnitude (dB)
1:	1.490 000	-21.862
2:	1.514 750	-6.978
3:	1.465 590	-8.309
4:	1.440 000	-0.951
5:	1.540 000	-0.980

### CH2 MARKER LIST

Marker	Freq (GHz)	Magnitude (dB)
1:	1.490 000	-3.007
2:	1.514 750	-6.045
3:	1.465 590	-6.011
4:	1.440 000	-27.910
5:	1.540 000	-22.462