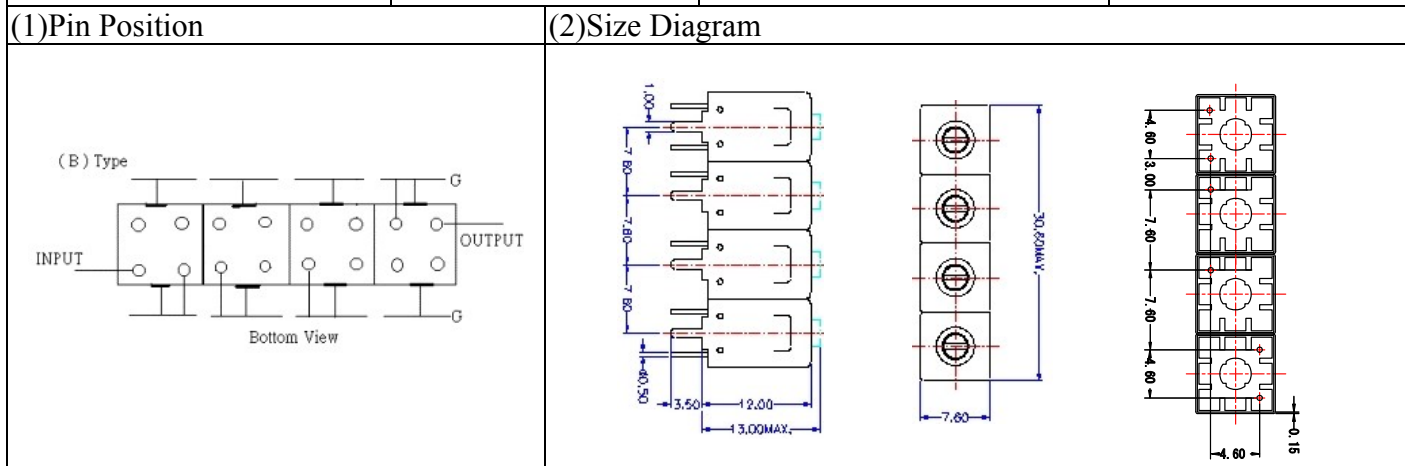


# VHF UHF Helical Filter Specification Sheet

Customer Name		Temwell's Part No.	TF6962B-230M
Approval No. /dated	201702012CD	Temwell's Print Name	6962B 230M
Work Instruction No.	201702012CD	Date	Feb.17.2017



**(3) Electric Characteristic**

Item	Specify	Performance
Center Freq.(Fo) +/- 0.5 %	230 MHz	230 MHz
Insertion Loss	Typ. 3.0 dB	2.43 dB
-3 dB Bandwidth	Typ. 9 MHz	13.7 MHz
Sensitivity (Attenuation)	Fo - 20 MHz	Typ. 43 dBc
	Fo + 20 MHz	Typ. 33 dBc
	Fo - ( )MHz	Typ. dBc
	Fo + ( )MHz	Typ. dBc
Return Loss	Min. 12 dB	20.8 dB
Ripple	< 1 dB	
Impedance	In / Out : 50 Ω	In / Out : 50 Ω

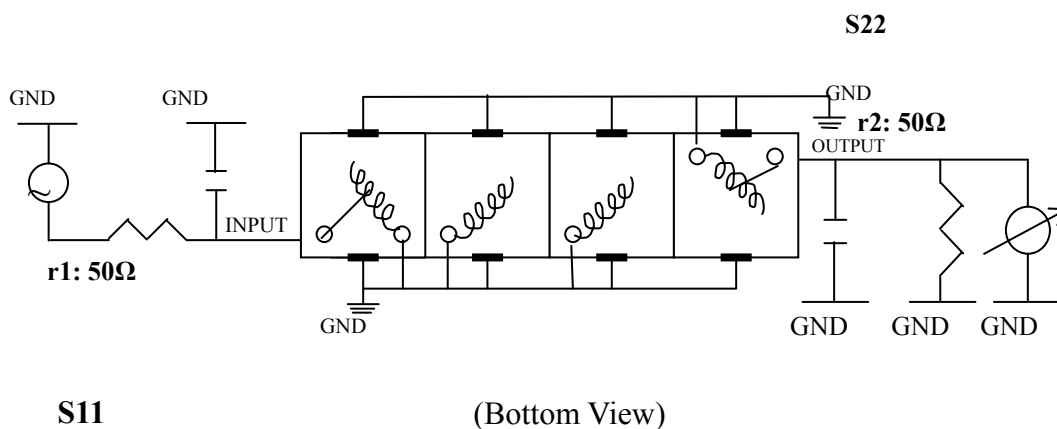
(4) Torque for Tuning Screw > 60gf · cm

(5) Temperature Condition:

Operating Temperature	0°C ~ +60°C
Storage Temperature	-20°C ~ +70°C

(6) Input Power > 1 Watt

(7) Measuring Circuit: ※Easy to match Impedance S11/S22 50Ω by parallel with about(- -).



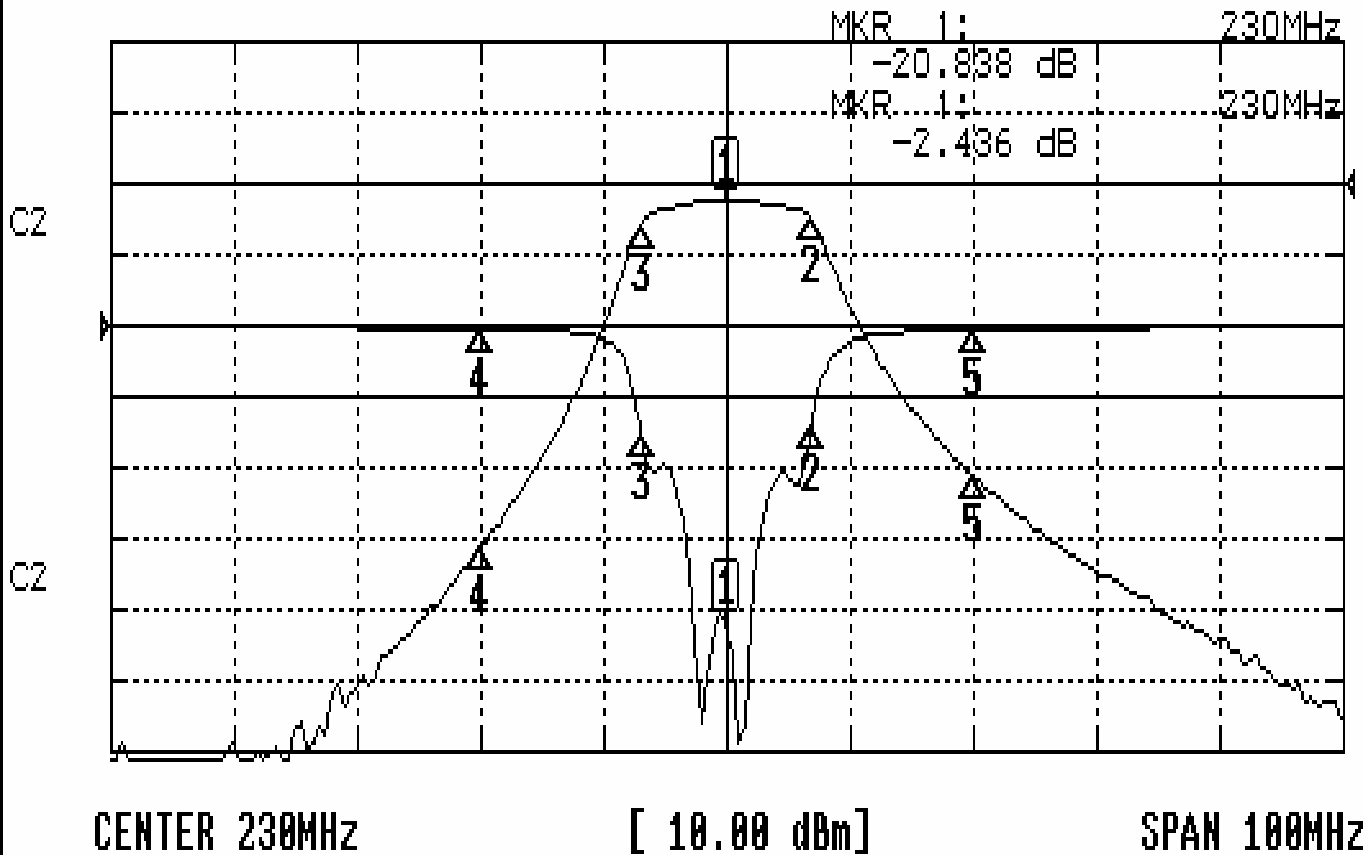
Approval	Supervisor	Designer	Aperture size
C.Y.Chang	C.K.Chang	C.H.Yeh	7H4S(4*6.5)(6.53) 7H024LB4

TEMWELL CORPORATION

# Performance-TF6962B-230M

## 201702012CD

CH1 S11 LOG MAG REF 0.000 dB 5.000 dB/  
CH2 S21 LOG MAG REF 0.000 dB 10.000 dB/



### CH1 MARKER LIST

1:	230.000MHz	-20.836 dB
2:	236.954MHz	-6.809 dB
3:	223.166MHz	-7.772 dB
4:	210.000MHz	-0.207 dB
5:	250.000MHz	-0.259 dB

### CH2 MARKER LIST

1:	230.000MHz	-2.436 dB
2:	236.954MHz	-1.426 dB
3:	223.166MHz	-1.528 dB
4:	210.000MHz	-1.285 dB
5:	250.000MHz	-41.150 dB