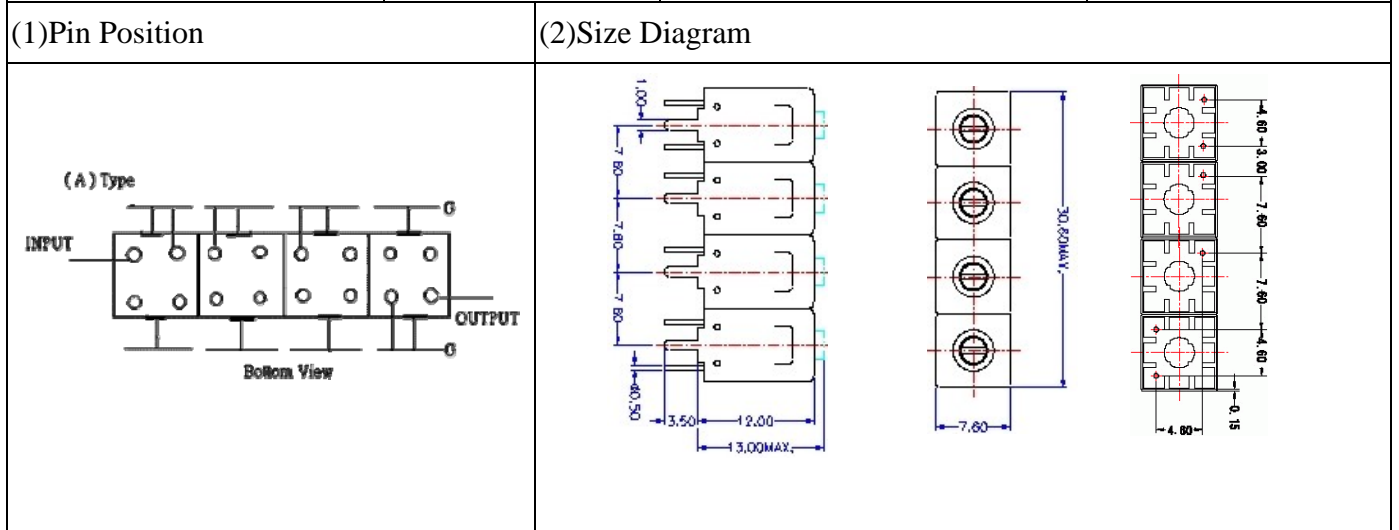


VHF UHF Helical Filter Specification Sheet

Customer Name		Temwell's Part No.	TF69609A-927M
Approval No. /dated	20208106DC	Acceptable Specify Fo. Range	901~930MHz
Work Instruction No.	20208106DC	Date	Aug.26.2002



(3) Electric Character

Item	Specify	Performance
Center Freq.(Fo) +/- 0.5 %	927 MHz	927 MHz
Insertion Loss	Typ. 3.0 dB	2.26 dB
-3 dB Bandwidth	Typ. 60 MHz	70.4 MHz
Sensitivity (Attenuation)	Fo - 150 MHz	Typ. 65 dBc
	Fo + 150 MHz	Typ. 43 dBc
	Fo - ()MHz	Typ. dBc
	Fo +()MHz	Typ. dBc
Return Loss	Min. 12 dB	15.7 dB
Ripple	< 1 dB	dB
Impedance	In / Out : 50 Ω	In / Out : 50 Ω

(4) Torque for Tuning Screw > 100gf · cm

(5) Temperature Condition:

Operating Temperature	0°C ~ +60°C
Storage Temperature	-20°C ~ +70°C

(6) Input Power > 1Watt

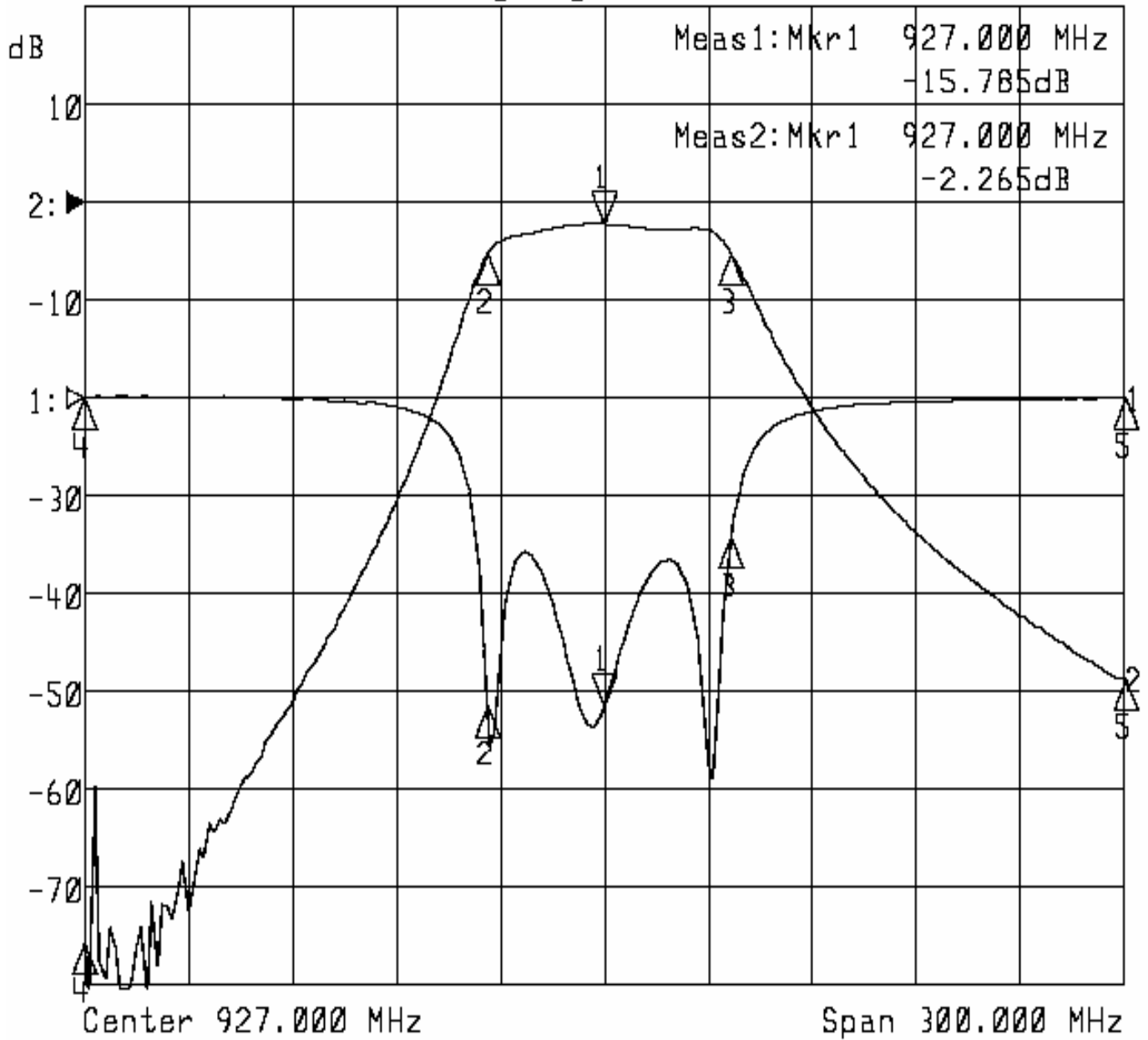
Approval	Supervisor	Designer	Aperture size
C. Y.Chang	C.S.Chang	C.S.Chang	7H4S(4*6.5) 7H046LB5

TEMWELL CORPORATION

Performance-TF69609A-927M

20208106DC

▶1:S11 Refl Port1 Log Mag 5.0 dB/ Ref 0.00 dB C
▶2:S21 Fwd Trans Log Mag 10.0 dB/ Ref 0.00 dB C



1:Mkr (MHz)	dB	2:Mkr (MHz)	dB
1> 927.0000	-15.785	1> 927.0000	-2.265
2: 893.4000	-15.773	2: 893.4000	-5.240
3: 963.8000	-7.074	3: 963.8000	-5.249
4: 777.0000	0.002	4: 777.0000	-75.711
5: 1077.0000	0.008	5: 1077.0000	-48.664