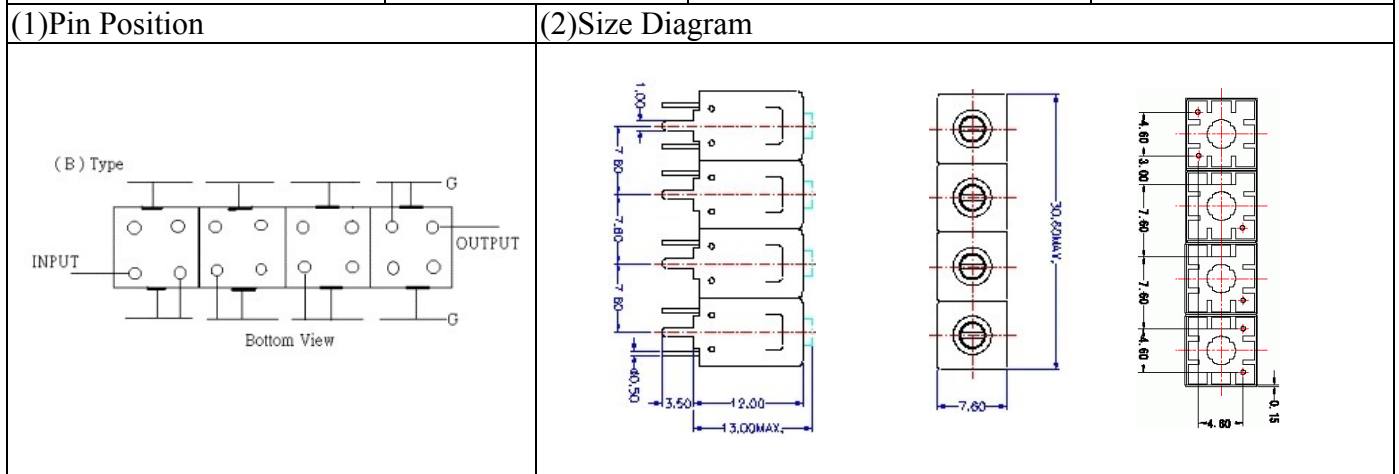


VHF UHF Helical Filter Specification Sheet

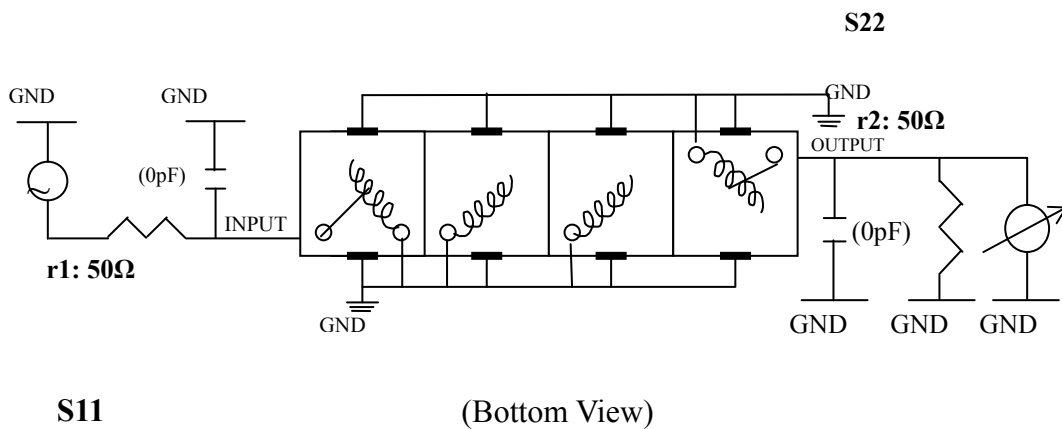
Customer Name		Temwell's Part No.	TF69607B-435M
Approval No. /dated	0901086CD	Temwell's Print Name	69607B 435M
Work Instruction No.	200901086CD	Date	Feb.18.2009



(3) Electric Characteristic

Item	Specify	Performance	
Center Freq.(Fo) +/- 0.5 %	435 MHz	435 MHz	
Insertion Loss	Typ. 2.0 dB	0.86 dB	
-3 dB Bandwidth	Typ. 68 MHz	73.0 MHz	
Sensitivity (Attenuation)	Fo - 100 MHz	Typ. 53 dBc	56 dBc
	Fo + 100 MHz	Typ. 31 dBc	34 dBc
	Fo - ()MHz	Typ. dBc	dBc
	Fo +()MHz	Typ. dBc	dBc
Return Loss	Min. 12 dB	18.0 dB	
Ripple	< 1 dB	dB	
Impedance	In / Out : 50 Ω	In / Out : 50 Ω	
(4) Torque for Tuning Screw	> 100gf • cm		
(5) Temperature Condition:			
Operating Temperature	0°C ~ +60°C		
Storage Temperature	-20°C ~ +70°C		
(6) Input Power	> 1Watt		

(7) Measuring Circuit: ※Easy to match Impedance S11/S22 50Ω/ by parallel with about(0pF) / (0 pF).

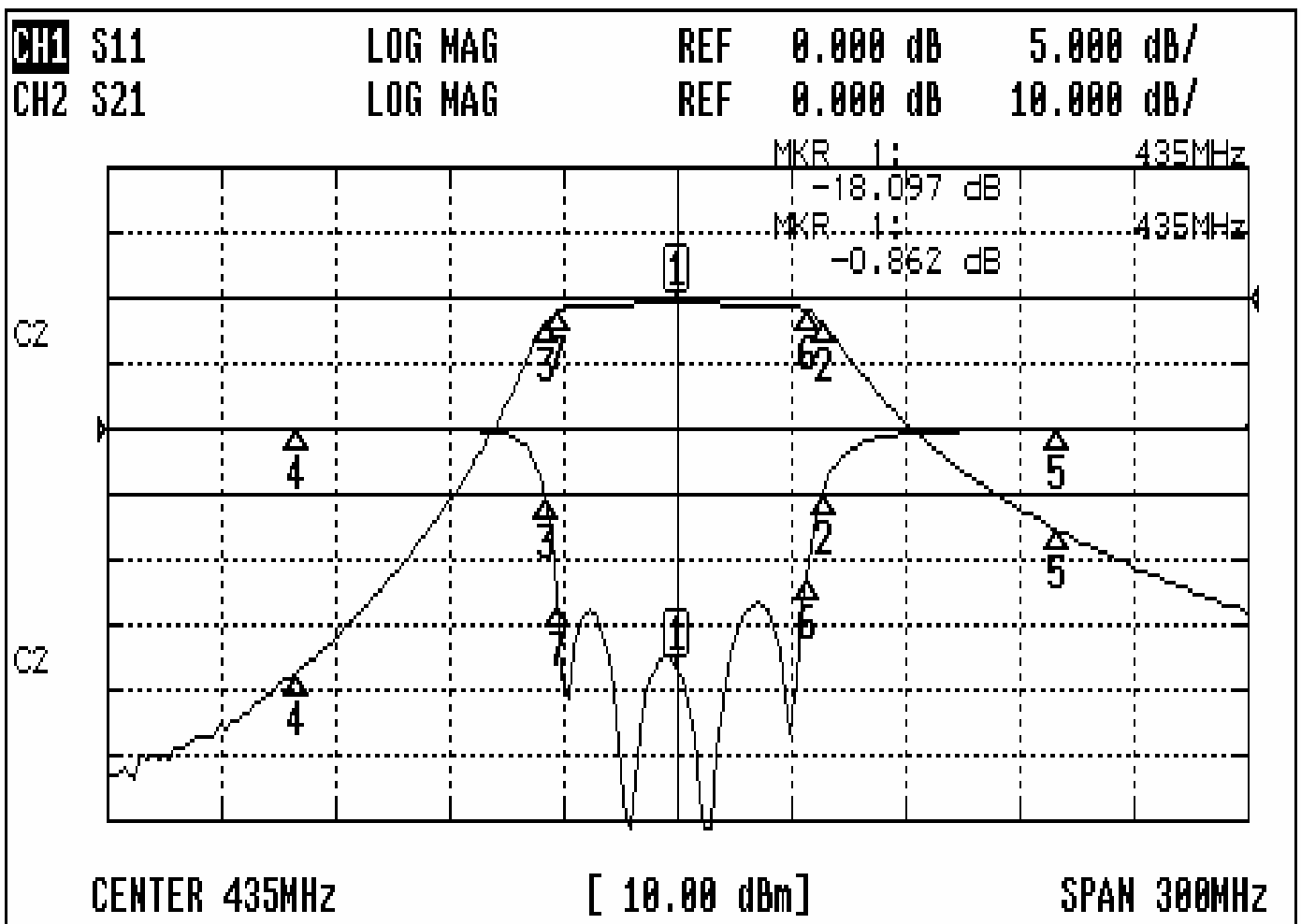


Approval	Supervisor	Designer	Aperture size
C.Y.Chang	C.S.Chang	W.W.Wang	7H4(4*8.0F)(8.09) (7H046LB5.5)

TEMWELL CORPORATION

Performance-TF69607B-435M

200901086CD



CH1 MARKER LIST

1	435.000MHz	-18.097	dB
2	473.500MHz	-4.856	dB
3	400.500MHz	-5.412	dB
4	335.000MHz	0.067	dB
5	535.000MHz	0.016	dB
6	469.000MHz	-11.533	dB
7	403.750MHz	-13.834	dB

CH2 MARKER LIST

1	435.000MHz	-0.864	dB
2	473.500MHz	0.912	dB
3	400.500MHz	0.211	dB
4	335.000MHz	-5.433	dB
5	535.000MHz	-0.705	dB
6	469.000MHz	-1.841	dB
7	403.750MHz	-1.861	dB