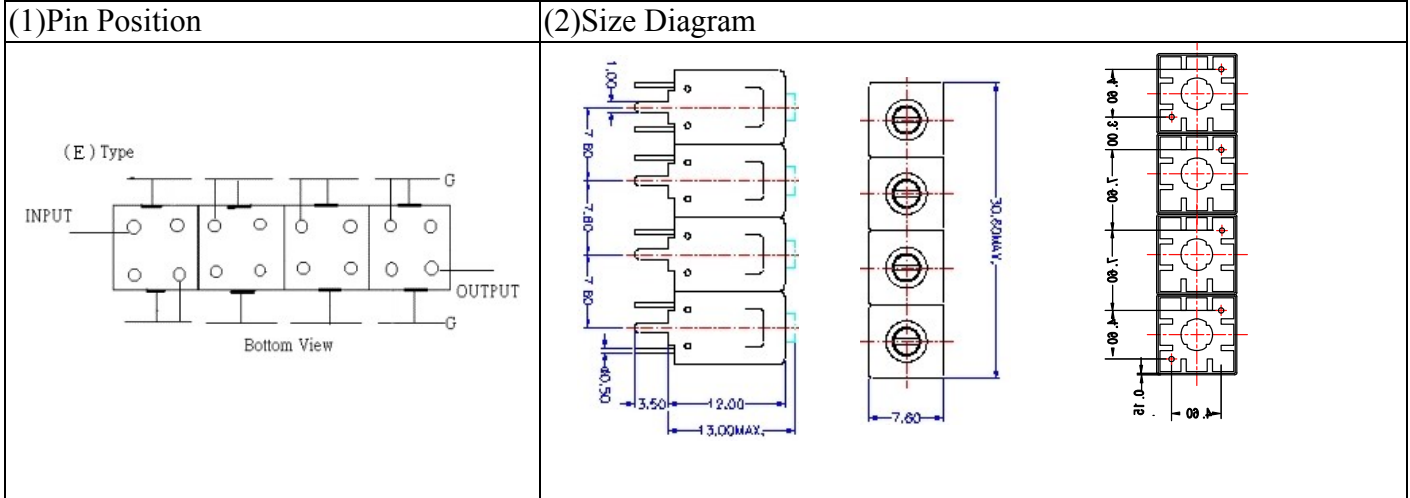


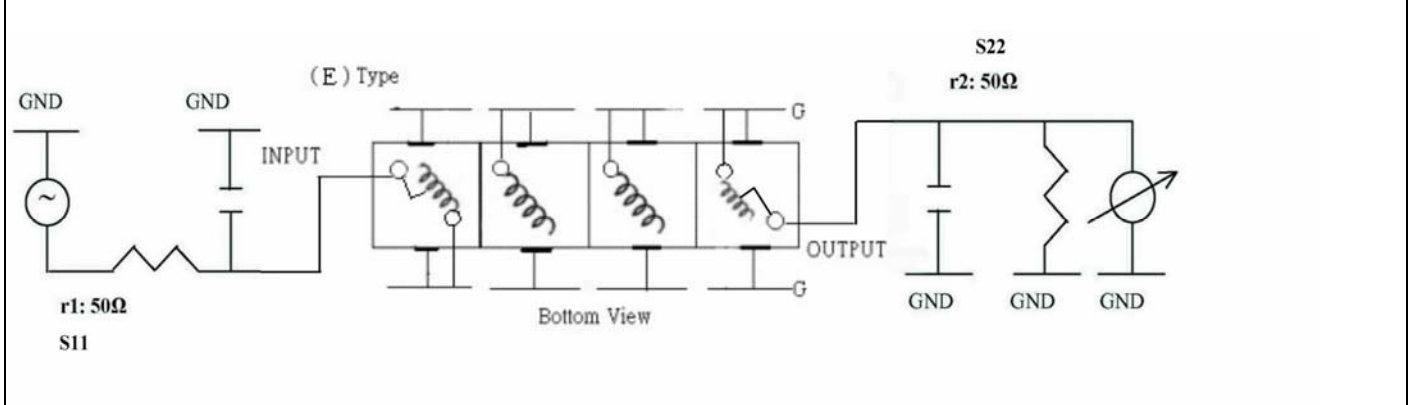
VHF UHF Helical Filter Specification Sheet

Customer Name		Temwell's Part No.	TF69600E-700M
Approval No. /dated	201707046CD	Acceptable Specift Fo Range	69600E 700M
Work Instruction No.	201707046CD	Date	Aug.09.2017



(3)Electric Chararistic			
Item		Specify	Performance
Center Freq.(Fo) +/- 0.5 %		700 MHz	700 MHz
Insertion Loss		Typ. 2.5 dB	1.33 dB
-3 dB Bandwidth		Typ. 85 MHz	89.5 MHz
Sensitivity (Attenuation)	Fo - 200 MHz	Typ. 58 dBc	63 dBc
	Fo + 200 MHz	Typ. 49 dBc	54 dBc
	Fo - ()MHz	Typ. dBc	dBc
	Fo +()MHz	Typ. dBc	dBc
Return Loss		Min. 12 dB	17.8 dB
Ripple		< 1 dB	dB
Impedance		In / Out : 50 Ω	In / Out : 50 Ω
(4)Torque for Tuning Screw		> 60gf • cm	
(5)Temperature Condition:			
Operating Temperature		0°C ~ +60°C	
Storage Temperature		-20°C ~ +70°C	
(6)Input Power		> 1Watt	

(7) Measuring Circuit: ※Easy to match Impedance S11/S22 50Ω by parallel with about()



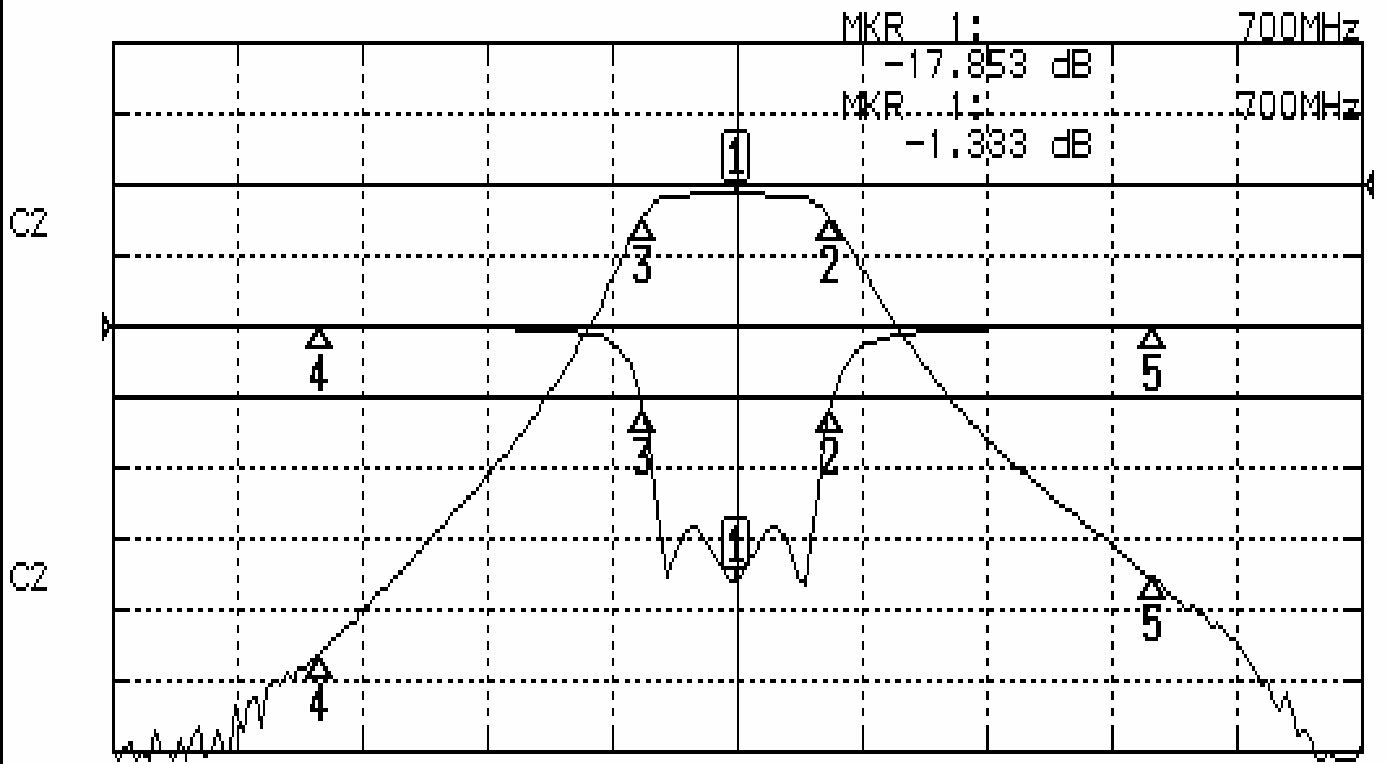
Approval C.Y.Chang	Supervisor C.K.Chang	Designer C.H.Yeh	Aperture size 7H4S(4*5.35)(5.41) 7H046LB6.6(J1)
-----------------------	-------------------------	---------------------	-------------------------------------------------------

TEMWELL CORPORATION

Performance-TF69600E-700M

201707046CD

CH1 S11 LOG MAG REF 0.000 dB 5.000 dB/
CH2 S21 LOG MAG REF 0.000 dB 10.000 dB/



CENTER 700MHz

[10.00 dBm]

SPAN 600MHz

CH1 MARKER LIST

1:	700.000MHz	-17.853	dB
2:	745.000MHz	-1.442	dB
3:	655.500MHz	-1.442	dB
4:	500.000MHz	0.000	dB
5:	900.000MHz	0.012	dB

CH2 MARKER LIST

1:	700.000MHz	-1.333	dB
2:	745.000MHz	-1.442	dB
3:	655.500MHz	-1.442	dB
4:	500.000MHz	0.000	dB
5:	900.000MHz	0.012	dB