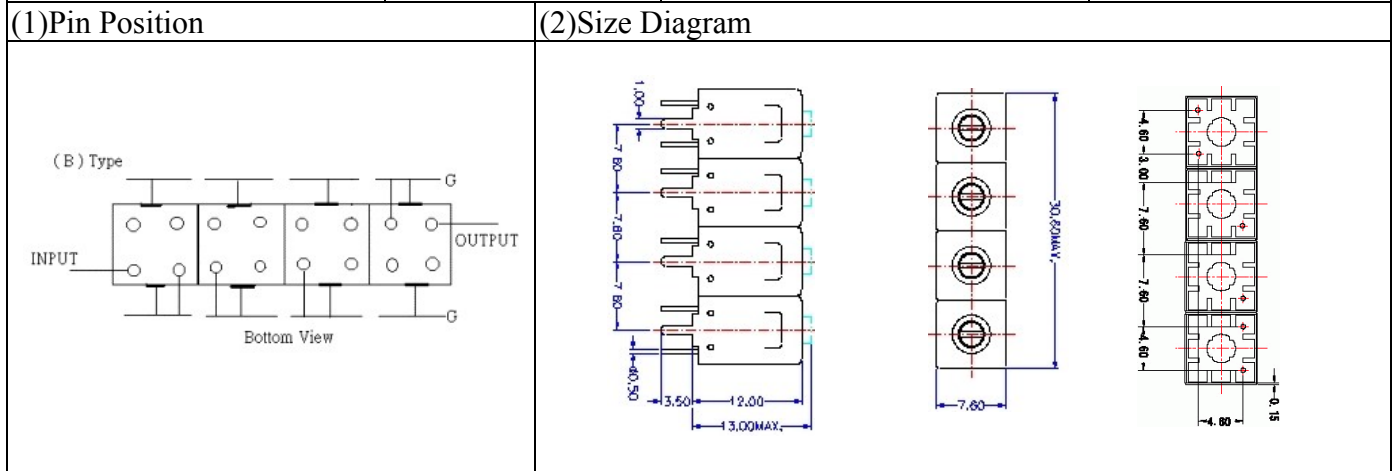


# VHF UHF Helical Filter Specification Sheet

|                      |            |                             |              |
|----------------------|------------|-----------------------------|--------------|
| Customer Name        |            | Temwell's Part No.          | TF6958B-170M |
| Approval No. /dated  | 0611015APR | Acceptable Specify Fo Range | 166~195MHz   |
| Work Instruction No. | 0611015DB  | Date                        | Nov.09.2006  |



### (3) Electric Characteristic

| Item                         | Specify         | Performance     |        |
|------------------------------|-----------------|-----------------|--------|
| Center Freq.(Fo) +/- 0.5 %   | 170 MHz         | 170 MHz         |        |
| Insertion Loss               | Typ. 6.5 dB     | 5.48 dB         |        |
| -3 dB Bandwidth              | Typ. 4 MHz      | 5.2 MHz         |        |
| Sensitivity<br>(Attenuation) | Fo - 10 MHz     | Typ. 48 dBc     | 51 dBc |
|                              | Fo + 10 MHz     | Typ. 40 dBc     | 43 dBc |
|                              | Fo - ( )MHz     | Typ. dBc        | dBc    |
|                              | Fo +( )MHz      | Typ. dBc        | dBc    |
| Return Loss                  | Min. 12 dB      | 15.7 dB         |        |
| Ripple                       | < 1 dB          | dB              |        |
| Impedance                    | In / Out : 50 Ω | In / Out : 50 Ω |        |

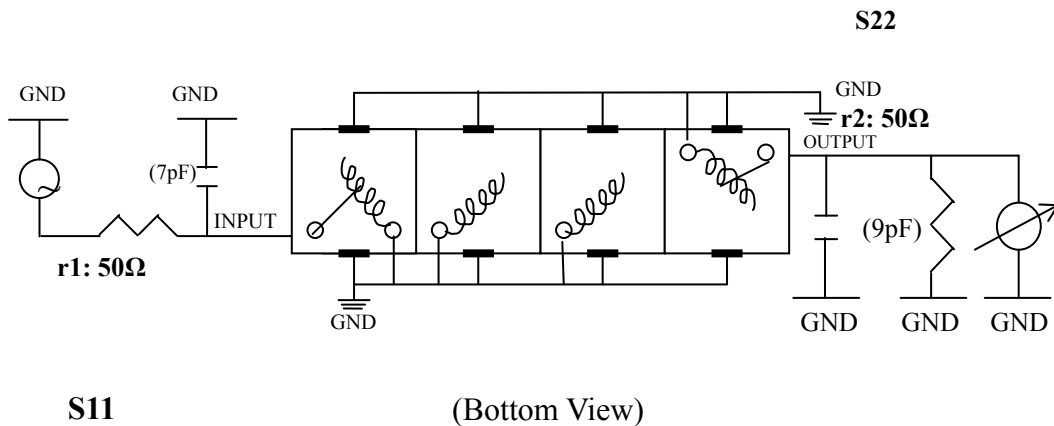
(4) Torque for Tuning Screw > 100gf · cm

(5) Temperature Condition:

|                       |               |
|-----------------------|---------------|
| Operating Temperature | 0°C ~ +60°C   |
| Storage Temperature   | -20°C ~ +70°C |

(6) Input Power > 1Watt

(7) Measuring Circuit: ※Easy to match Impedance S11/S22 50Ω/ by parallel with about( 6 pF) / (8pF).

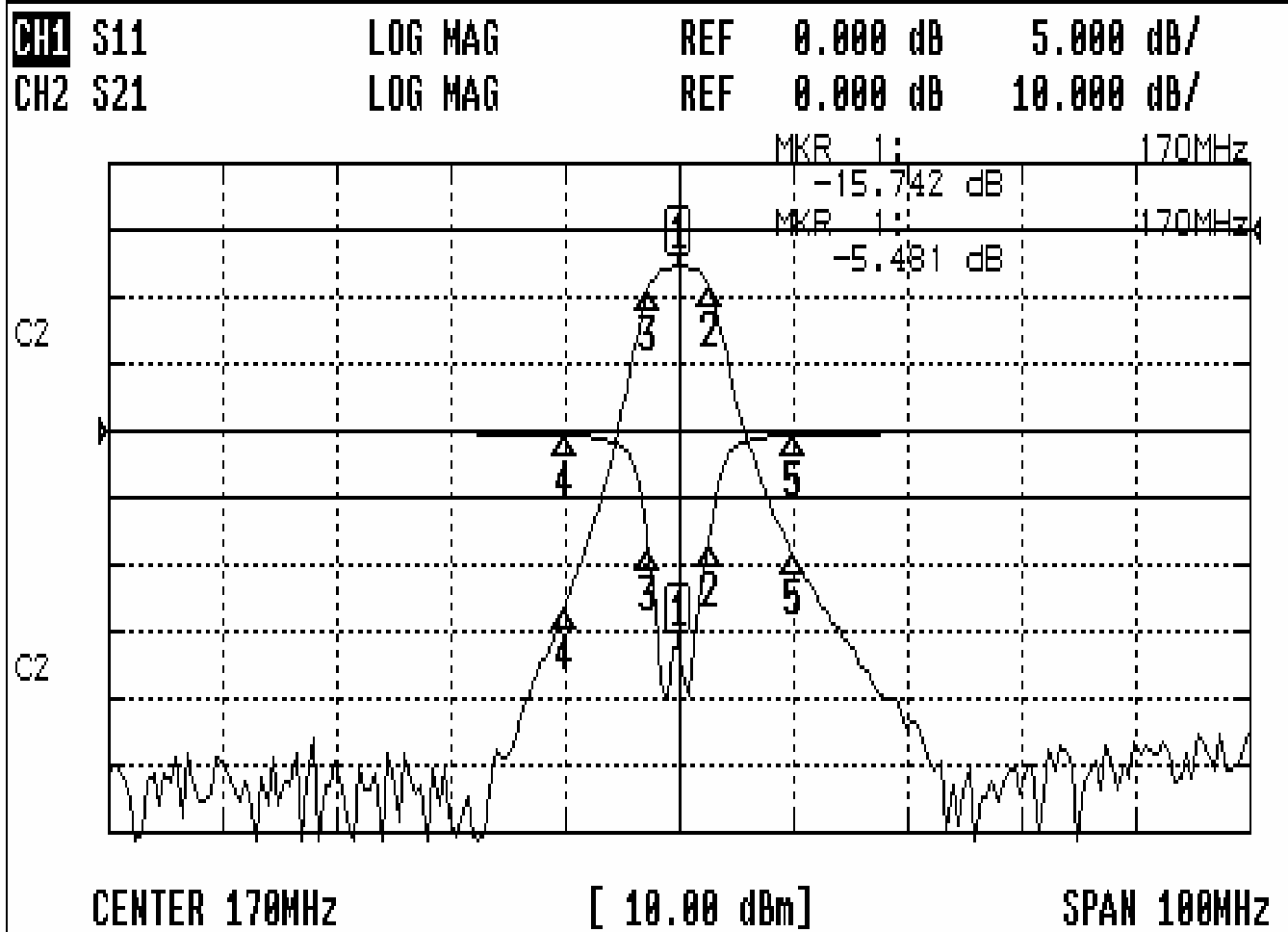


|           |            |            |                              |
|-----------|------------|------------|------------------------------|
| Approval  | Supervisor | Designer   | Aperture size                |
| C.Y.Chang | C.S.Chang  | P.H.Chiang | 7H4(4*5.5)(5.57)<br>7H024LB4 |

TEMWELL CORPORATION

# Performance-TF6958B-170M

## 0611015DB



### CH1 MARKER LIST

|    |            |         |    |
|----|------------|---------|----|
| 1: | 170.000MHz | -15.742 | dB |
| 2: | 172.666MHz | -10.459 | dB |
| 3: | 167.416MHz | -10.957 | dB |
| 4: | 160.000MHz | -0.296  | dB |
| 5: | 180.000MHz | -0.291  | dB |

### CH2 MARKER LIST

|    |            |         |    |
|----|------------|---------|----|
| 1: | 170.000MHz | -5.481  | dB |
| 2: | 172.666MHz | -1.442  | dB |
| 3: | 167.416MHz | -1.603  | dB |
| 4: | 160.000MHz | -1.707  | dB |
| 5: | 180.000MHz | -48.035 | dB |