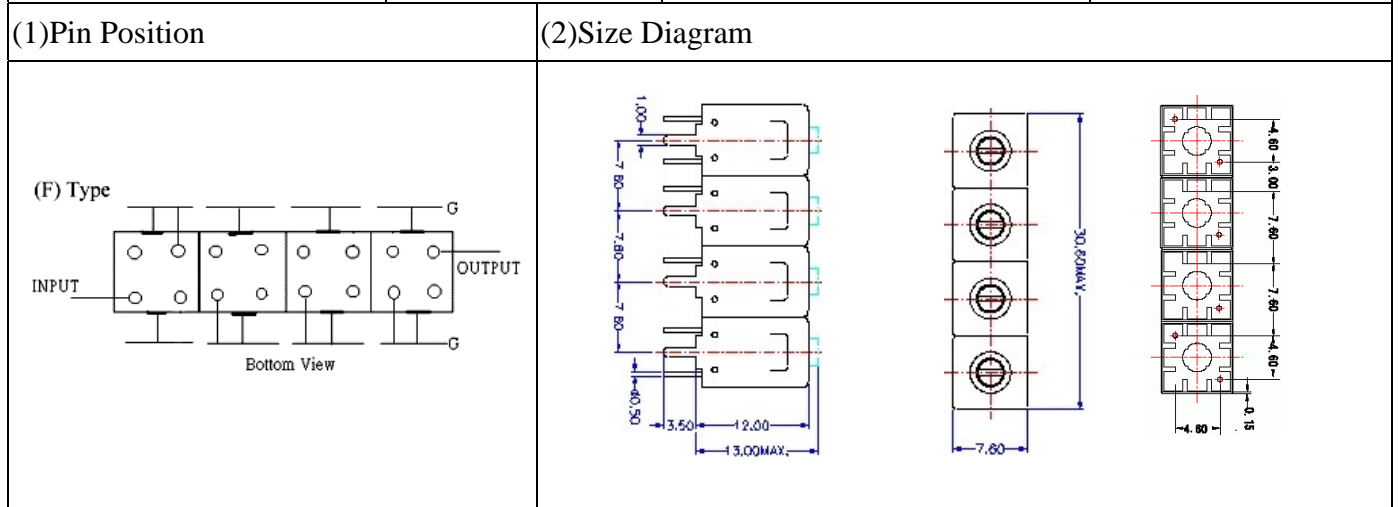


VHF UHF Helical Filter Specification Sheet

Customer Name		Temwell's Part No.	TF69555F-859.5M
Approval No. /dated	20307046DB	Acceptable Specify Fo. Range	831~860MHz
Work Instruction No.	20307046DB	Date	July.30.2003



(3) Electric Character

Item	Specify	Performance	
Center Freq.(Fo) +/- 0.5 %	859.5 MHz	859.5 MHz	
Insertion Loss	Typ. 3.5 dB	2.53 dB	
-1 dB Bandwidth	Typ. 18 MHz	22.3 MHz	
-3 dB Bandwidth	Typ. 25 MHz	30 MHz	
Sensitivity (Attenuation)	Fo - 50 MHz	Typ. 49 dBc	52 dBc
	Fo + 50 MHz	Typ. 33 dBc	36 dBc
	Fo - ()MHz	Typ. dBc	dBc
	Fo +()MHz	Typ. dBc	dBc
Return Loss	Min. 12 dB	25.2 dB	
Ripple	< 1 dB	dB	
Impedance	In / Out : 50 Ω	In / Out : 50 Ω	

(4) Torque for Tuning Screw	> 100gf • cm
-----------------------------	--------------

(5) Temperature Condition:

Operating Temperature	0°C ~ +60°C
Storage Temperature	-20°C ~ +70°C
(6) Input Power	> 1Watt

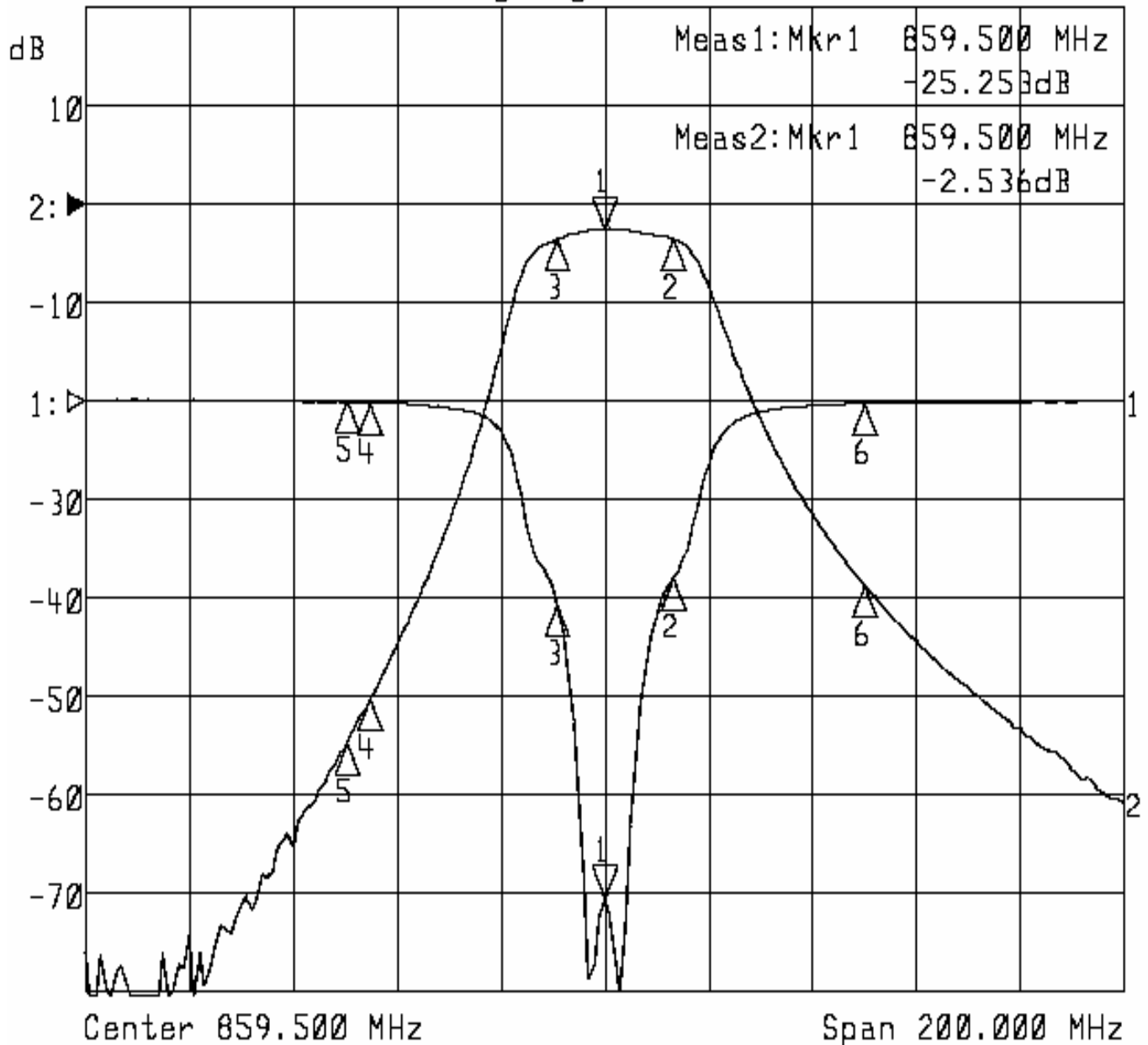
Approval	Supervisor	Designer	Aperture size
C.Y.Chang	C.S.Chang	C.S.Chang	7H4S(4*6.5) 7H046LB4 聚 3

TEMWELL CORPORATION

Performance-TF69555F-859.5M

20307046DB

▶1:S11 Refl Port1 Log Mag 5.0 dB/ Ref 0.00 dB C
 ▶2:S21 Fwd Trans Log Mag 10.0 dB/ Ref 0.00 dB C



1: Mkr (MHz)	dB	2: Mkr (MHz)	dB
1> 859.5000	-25.253	1> 859.5000	-2.536
2: 872.7000	-9.012	2: 872.7000	-3.560
3: 850.4333	-10.346	3: 850.4333	-3.540
4: 814.5000	-0.094	4: 814.5000	-50.189
5: 809.9000	-0.057	5: 809.9000	-54.716
6: 909.5000	-0.143	6: 909.5000	-38.682