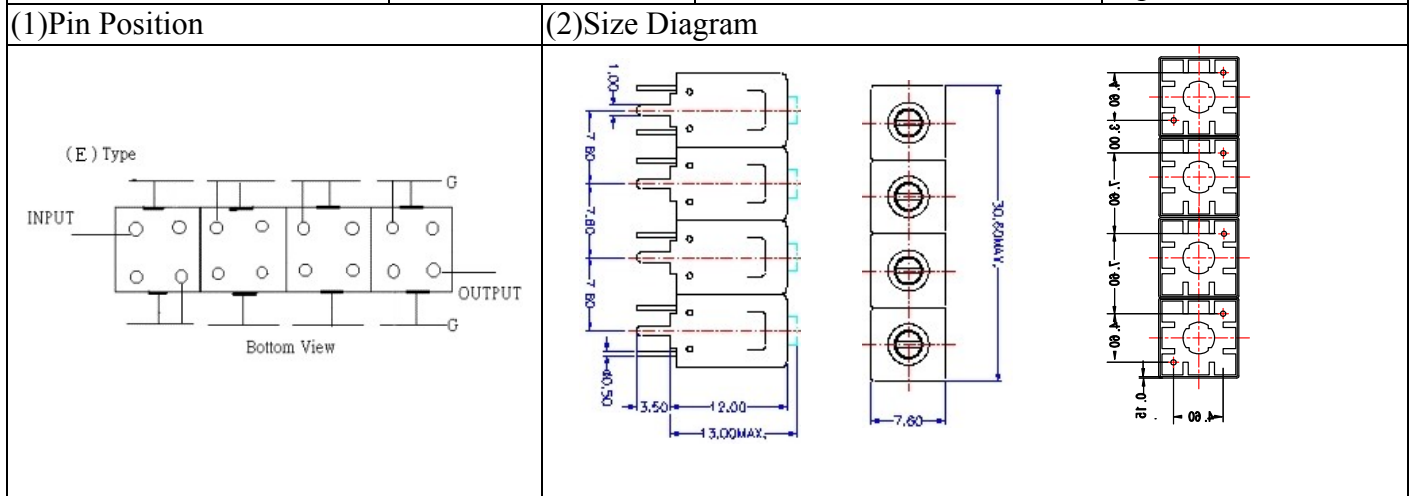


# VHF UHF Helical Filter Specification Sheet

Customer Name		Temwell's Part No.	TF69552E-813.5M
Approval No. /dated	201708065CD	Temwell's Print Name	69552E 813.5M
Work Instruction No.	201708065CD	Date	Sep.01.2017



### (3) Electric Characteristic

Item	Specify	Performance	
Center Freq.(Fo) +/- 0.5 %	813.5 MHz	813.5 MHz	
Insertion Loss	Typ. 4.5 dB	3.41 dB	
-3 dB Bandwidth	Typ. 18 MHz	23.0 MHz	
Sensitivity (Attenuation)	Fo - 100 MHz	Typ. 61 dBc	71 dBc
	Fo + 100 MHz	Typ. 58 dBc	68 dBc
	Fo - ( )MHz	Typ. dBc	dBc
	Fo + ( )MHz	Typ. dBc	dBc
Return Loss	Min. 12 dB	27.5 dB	
Ripple	< 1 dB	dB	
Impedance	In / Out : 50 Ω	In / Out : 50 Ω	

(4) Torque for Tuning Screw > 60gf · cm

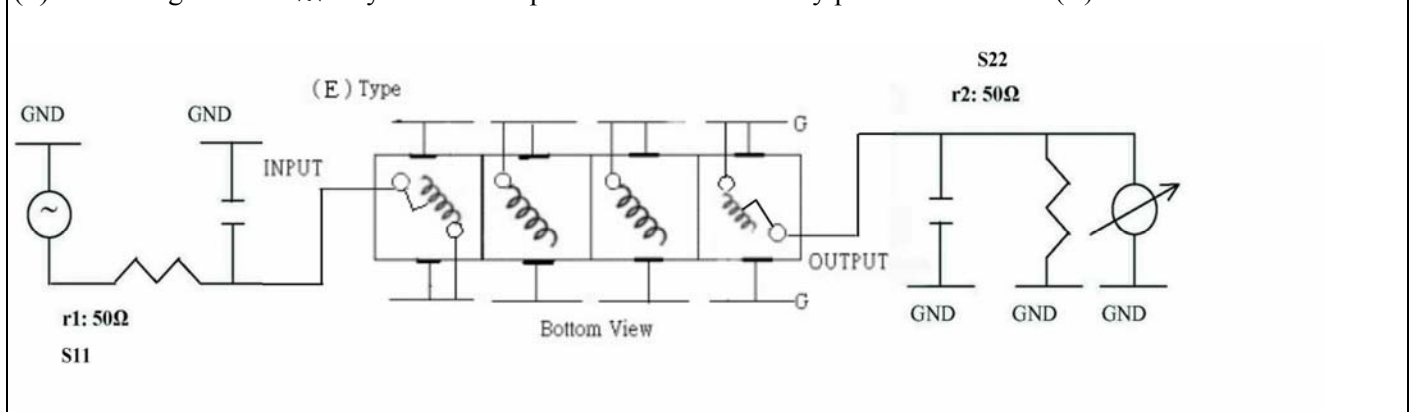
(5) Temperature Condition:

Operating Temperature 0°C ~ +60°C

Storage Temperature -20°C ~ +70°C

(6) Input Power > 1Watt

(7) Measuring Circuit: ※Easy to match Impedance S11/S22 50Ω by parallel with about(--)



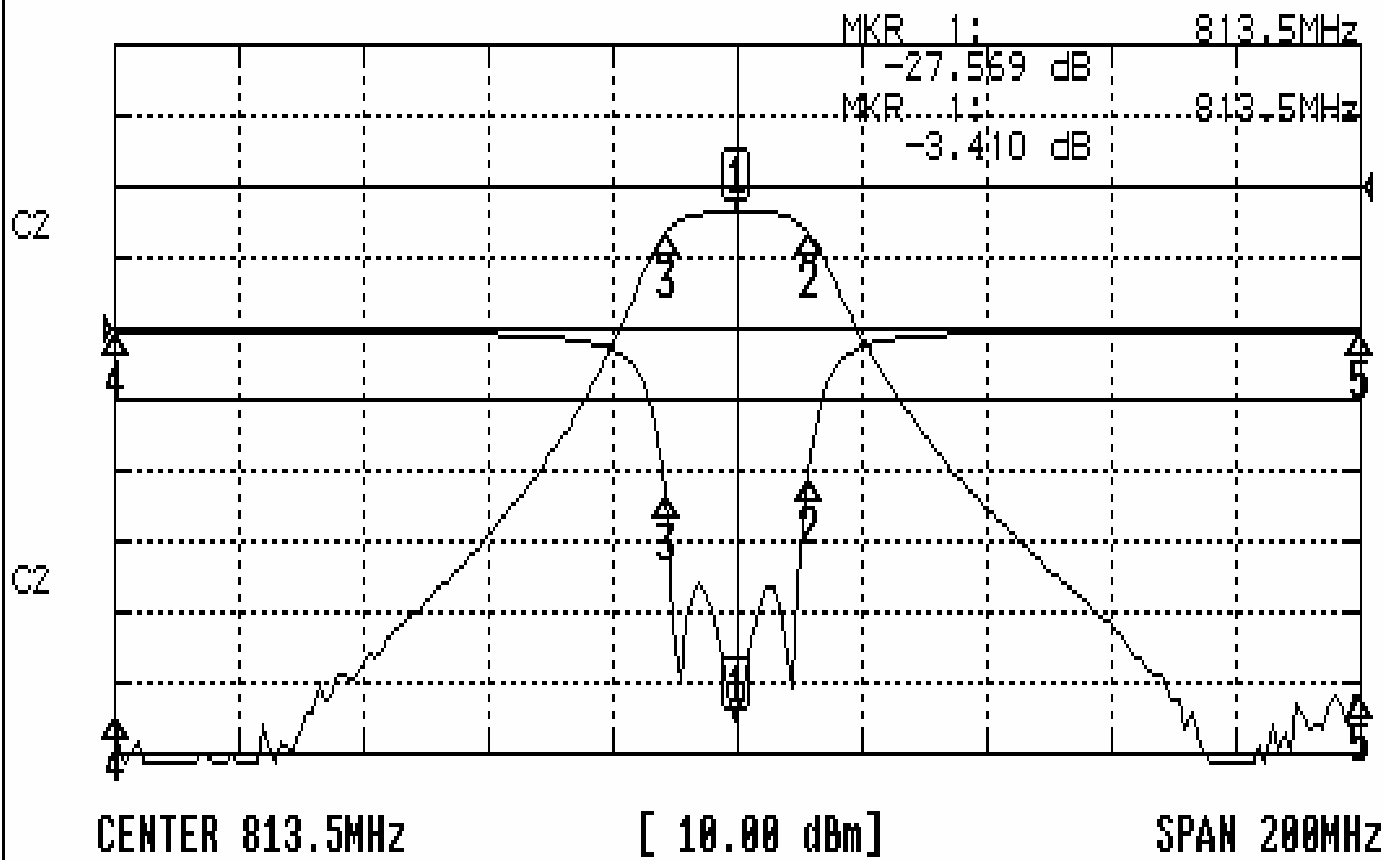
Approval	Supervisor	Designer	Aperture size
C.Y.Chang	C.K.Chang	M.Y.Kang	7H4S(4*5.35)(5.39) 7H046LB4.3 聚 3 (J2)

TEMWELL CORPORATION

# Performance-TF69552E-813.5M

## 201708065CD

CH1 S11 LOG MAG REF 0.000 dB 5.000 dB/  
CH2 S21 LOG MAG REF 0.000 dB 10.000 dB/



### CH1 MARKER LIST

1:	813.500MHz	-27.569	dB
2:	825.000MHz	-10.554	dB
3:	802.000MHz	-11.754	dB
4:	713.500MHz	-0.199	dB
5:	913.500MHz	-0.196	dB

### CH2 MARKER LIST

1:	813.500MHz	-3.410	dB
2:	825.000MHz	-6.446	dB
3:	802.000MHz	-6.426	dB
4:	713.500MHz	-74.720	dB
5:	913.500MHz	-71.794	dB