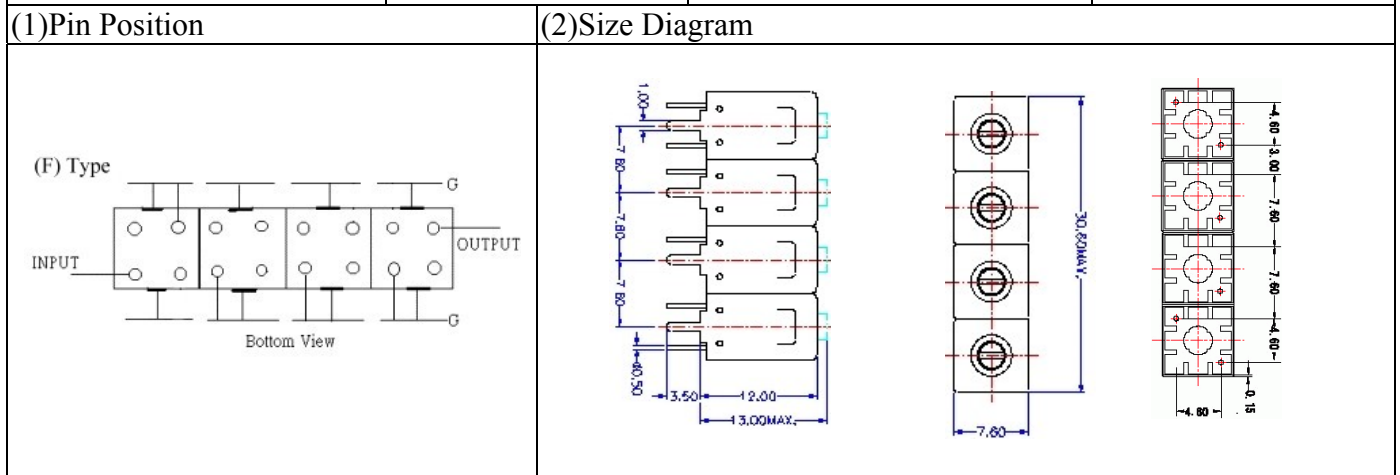


VHF UHF Helical Filter Specification Sheet

Customer Name		Temwell's Part No.	TF69550F-915M
Approval No. /dated	0906012CD	Customer's Print Name.	69550F 915M
Work Instruction No.	200906012CD	Date	Jun.10.2009



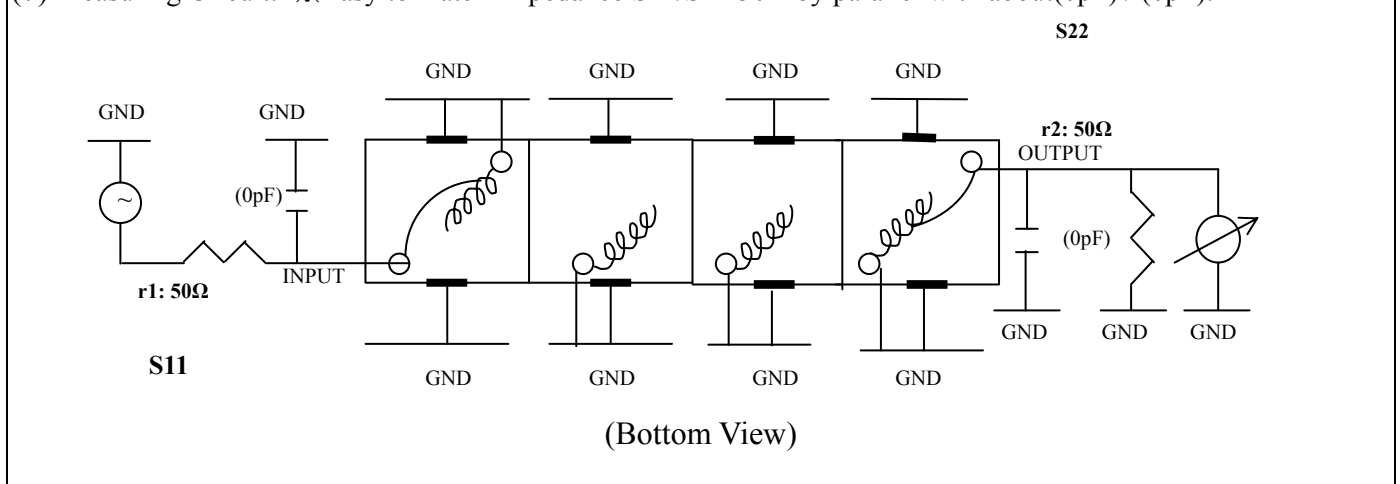
(3) Electric Characteristic

Item	Specify	Performance	
Center Freq.(Fo) +/- 0.5 %	915 MHz	915 MHz	
Insertion Loss	Typ. 3.5 dB	2.67 dB	
-3 dB Bandwidth	Typ. 27 MHz	33.9 MHz	
Sensitivity (Attenuation)	Fo - (50) MHz	Typ. 48 dBc	51 dBc
	Fo + (50) MHz	Typ. 32 dBc	35 dBc
	Fo - () MHz	Typ. dBc	dBc
	Fo + () MHz	Typ. dBc	dBc
Return Loss	Min. 12 dB	20.6 dB	
Ripple	< 1 dB	dB	
Impedance	In / Out : 50 Ω	In / Out : 50 Ω	
(4) Torque for Tuning Screw	> 100gf • cm		

(5) Temperature Condition:

Operating Temperature	0°C ~ +60°C
Storage Temperature	-20°C ~ +70°C
(6) Input Power	> 1 Watt

(7) Measuring Circuit: ※Easy to match Impedance S11/S22 50Ω by parallel with about(0pF) / (0pF).



Approval	Supervisor	Designer	Aperture size
C.Y.Chang	C.K.Chang	C.S.Chang	7H4S(4*6.5F)(6.56) 7H046LB4.3 聚 3

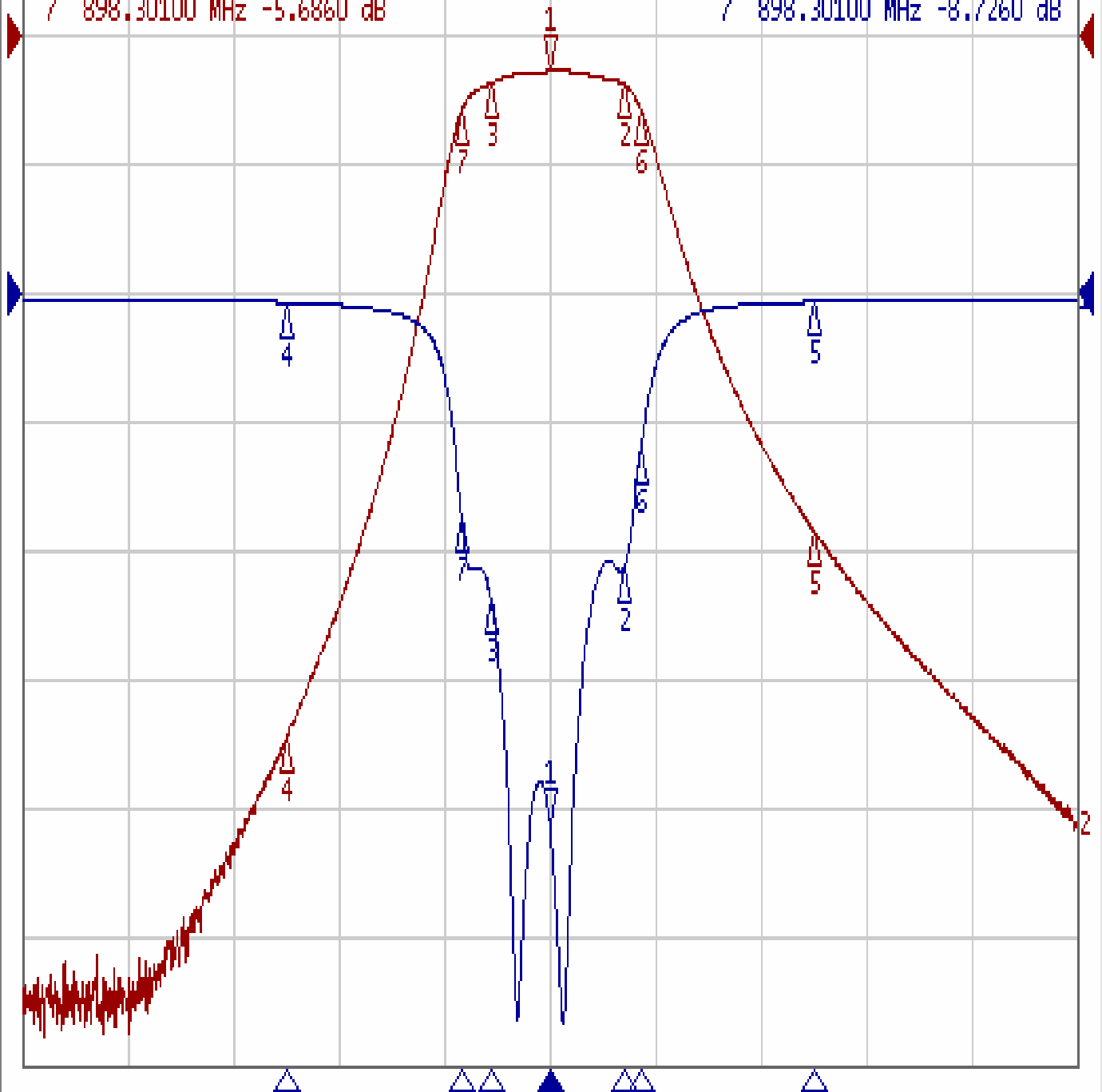
TEMWELL CORPORATION

Performance-TF69550F-915M

200906012CD

▶ Tr1 S11 Log Mag 5.000dB/ Ref 0.000dB [F3]
Tr2 S21 Log Mag 10.00dB/ Ref 0.000dB [F3]

1	915.00000 MHz	-2.6773 dB	>1	915.00000 MHz	-20.628 dB
2	929.07125 MHz	-3.6913 dB	2	929.07125 MHz	-10.664 dB
3	903.85550 MHz	-3.6208 dB	3	903.85550 MHz	-11.897 dB
4	865.00000 MHz	-54.426 dB	4	865.00000 MHz	-0.3262 dB
5	965.00000 MHz	-38.419 dB	5	965.00000 MHz	-0.3086 dB
6	932.27325 MHz	-5.6345 dB	6	932.27325 MHz	-6.0778 dB
7	898.30100 MHz	-5.6860 dB	7	898.30100 MHz	-8.7260 dB



1 Center 915 MHz

IFBW 10 kHz

Span 200 MHz

