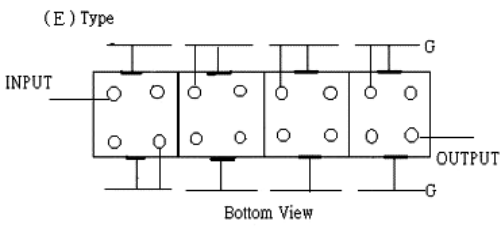
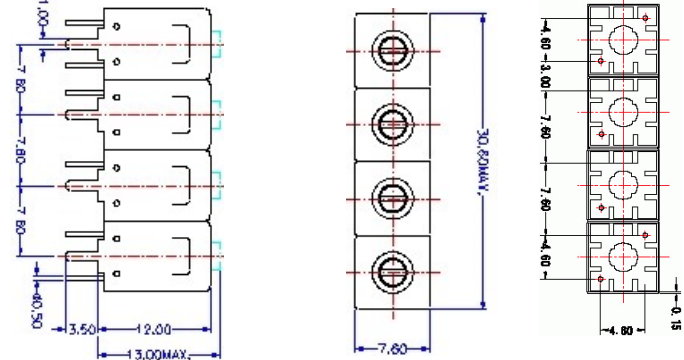


VHF UHF Helical Filter Specification Sheet

Customer Name		Temwell's Part No.	TF69548E-895.5M
Approval No. /dated	20302005DC	Acceptable Specify Fo. Range	861~900MHz
Work Instruction No.	20302005DC	Date	Mar.15.2003

<p>(1)Pin Position</p>  <p style="text-align: center;">Bottom View</p>	<p>(2)Size Diagram</p> 
---	---

(3)Electric Character			
Item	Specify	Performance	
Center Freq.(Fo) +/- 0.5 %	895.5 MHz	895.5	MHz
Insertion Loss	Typ. 3.0 dB	2.15	dB
-1 dB Bandwidth	Typ. 35 MHz	40.6	MHz
-3 dB Bandwidth	Typ. 52 MHz	57.0	MHz
Sensitivity (Attenuation)	Fo - 150 MHz	Typ. 68	dBc
	Fo + 150 MHz	Typ. 73	dBc
	Fo - ()MHz	Typ.	dBc
	Fo +()MHz	Typ.	dBc
Return Loss	Min. 12 dB	19.7	dB
Ripple	< 1 dB		dB
Impedance	In / Out : 50 Ω	In / Out : 50 Ω	
(4)Torque for Tuning Screw			
		> 100gf • cm	
(5)Temperature Condition:			
Operating Temperature		0°C ~ +60°C	
Storage Temperature		-20°C ~ +70°C	
(6)Input Power		> 1Watt	
Approval	Supervisor	Designer	Aperture size
C.Y.Chang	C.S.Chang	C.S.Chang	7H4S(4*5.5) 7H046LB5

TEMWELL CORPORATION

