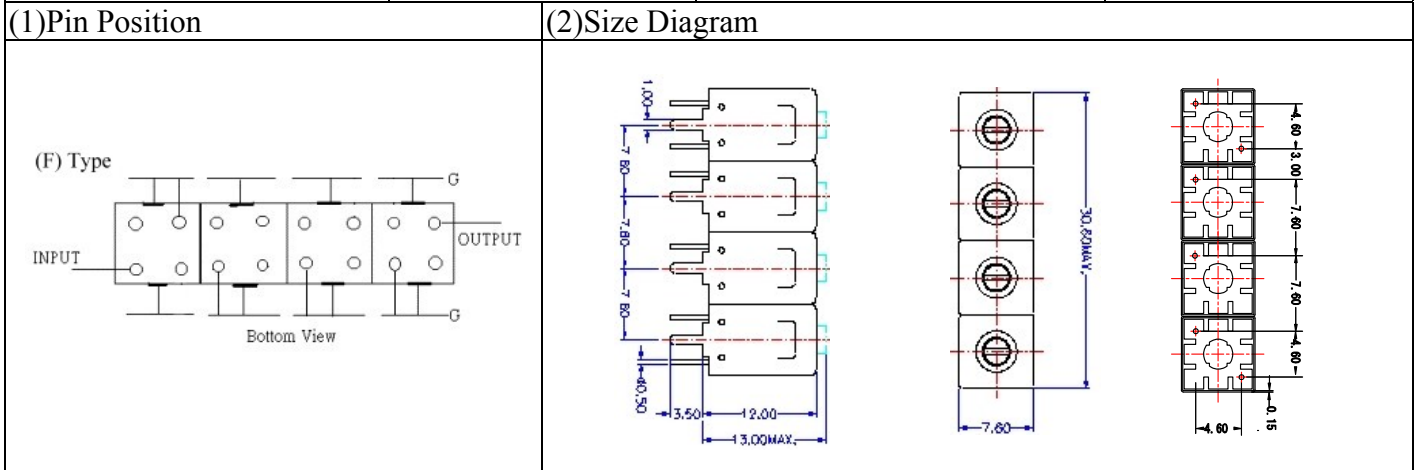
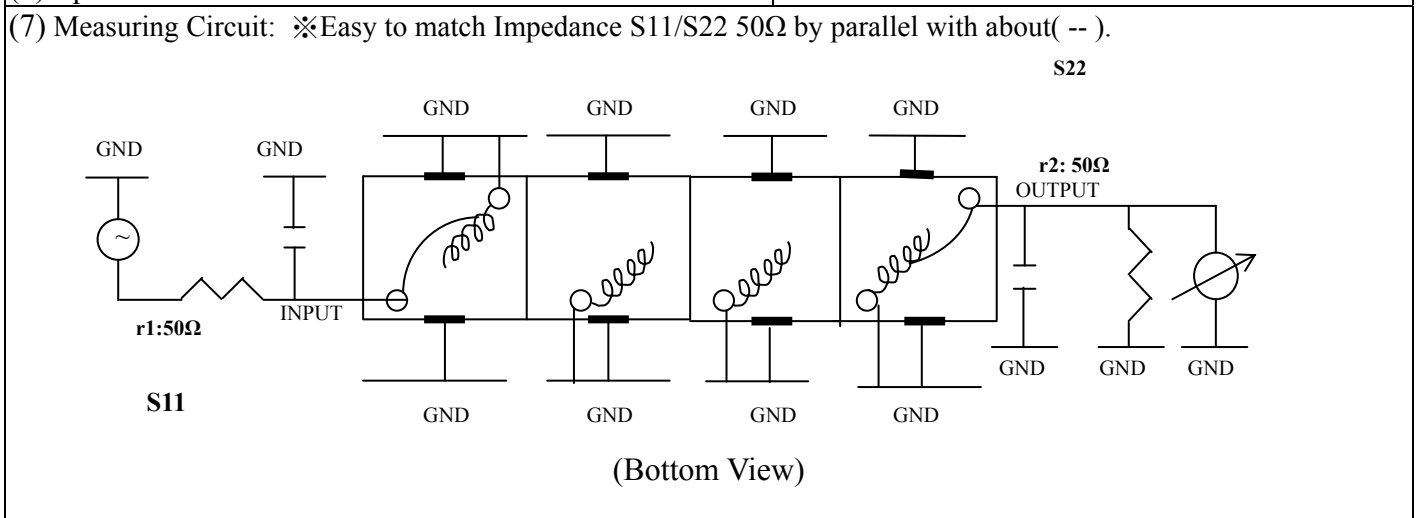


VHF UHF Helical Filter Specification Sheet

Customer Name		Temwell's Part No.	TF69546F-738M
Approval No. /dated	201707048CD	Temwell's Print name	69546F 738M
Work Instruction No.	201707048CD	Date	Aug.10.2017



(3) Electric Charasteric			
Item		Specify	Performance
Center Freq.(Fo) +/- 0.5 %		738 MHz	738 MHz
Insertion Loss		Typ. 5.0 dB	4.10 dB
-3 dB Bandwidth		Typ. 10 MHz	15.2 MHz
Sensitivity (Attenuation)	Fo - (50) MHz	Typ. 59 dBc	62 dBc
	Fo + (50) MHz	Typ. 63 dBc	73 dBc
	Fo - () MHz	Typ. dBc	dBc
	Fo +() MHz	Typ. dBc	dBc
Return Loss		Min. 12 dB	24.5 dB
Ripple		< 1 dB	dB
Impedance		In / Out : 50 Ω	In / Out : 50 Ω
(4) Torque for Tuning Screw		> 60gf · cm	
(5) Temperature Condition:			
Operating Temperature		0°C ~ +60°C	
Storage Temperature		-20°C ~ +70°C	
(6) Input Power		> 1Watt	



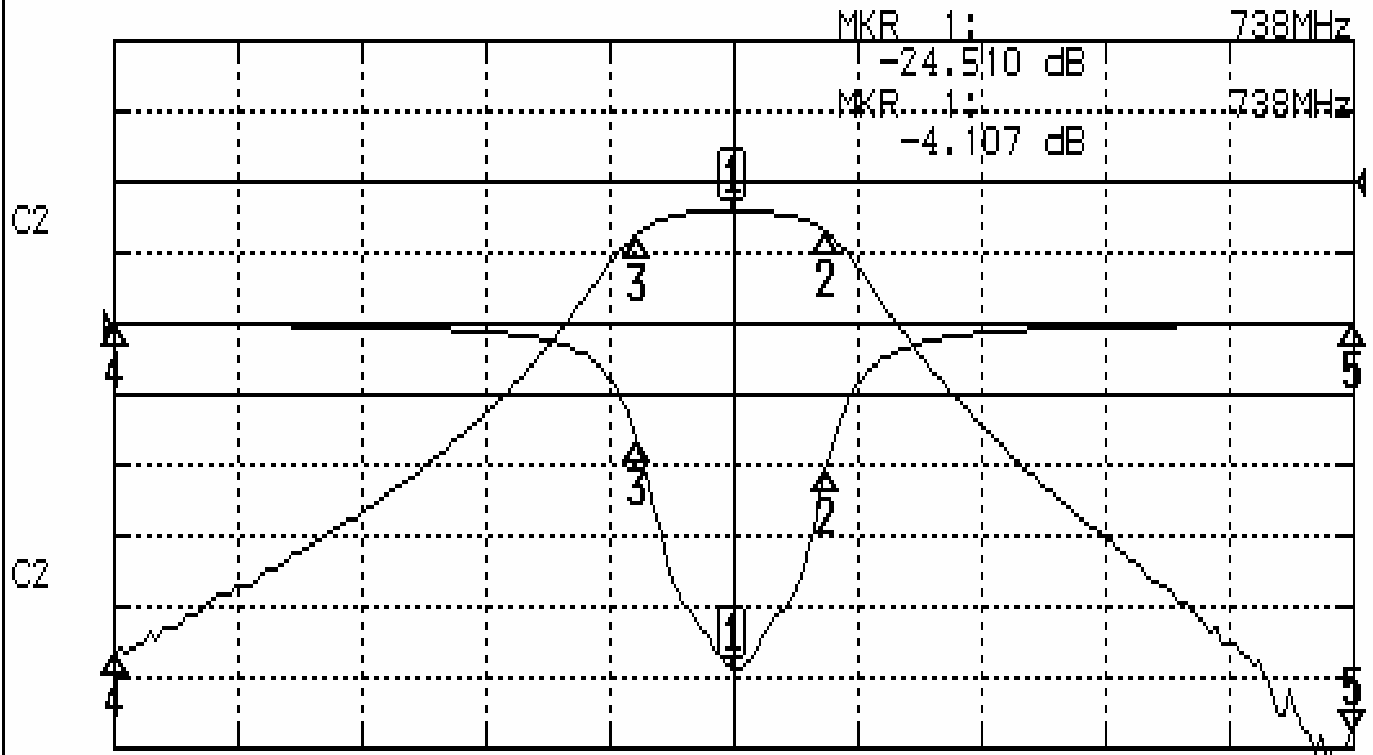
Approval C.Y.Chang	Supervisor C.K.Chang	Designer C.H.Yeh	Aperture size 7H4S(4*4.65)(4.70) 7H046RB4(J1)
-----------------------	-------------------------	---------------------	---

TEMWELL CORPORATION

Performance-TF69546F-738M

201707048CD

CH1 S11 LOG MAG REF 0.000 dB 5.000 dB/
CH2 S21 LOG MAG REF 0.000 dB 10.000 dB/



CENTER 738MHz

[10.00 dBm]

SPAN 100MHz

CH1 MARKER LIST

Marker	Frequency (MHz)	Magnitude (dB)
1:	738.000MHz	-24.555 dB
2:	745.600MHz	-10.111 dB
3:	730.370MHz	-8.513 dB
4:	688.000MHz	-0.043 dB
5:	788.000MHz	-0.038 dB

CH2 MARKER LIST

Marker	Frequency (MHz)	Magnitude (dB)
1:	738.000MHz	-4.107 dB
2:	745.600MHz	-7.134 dB
3:	730.370MHz	-7.180 dB
4:	688.000MHz	-66.410 dB
5:	788.000MHz	-77.706 dB