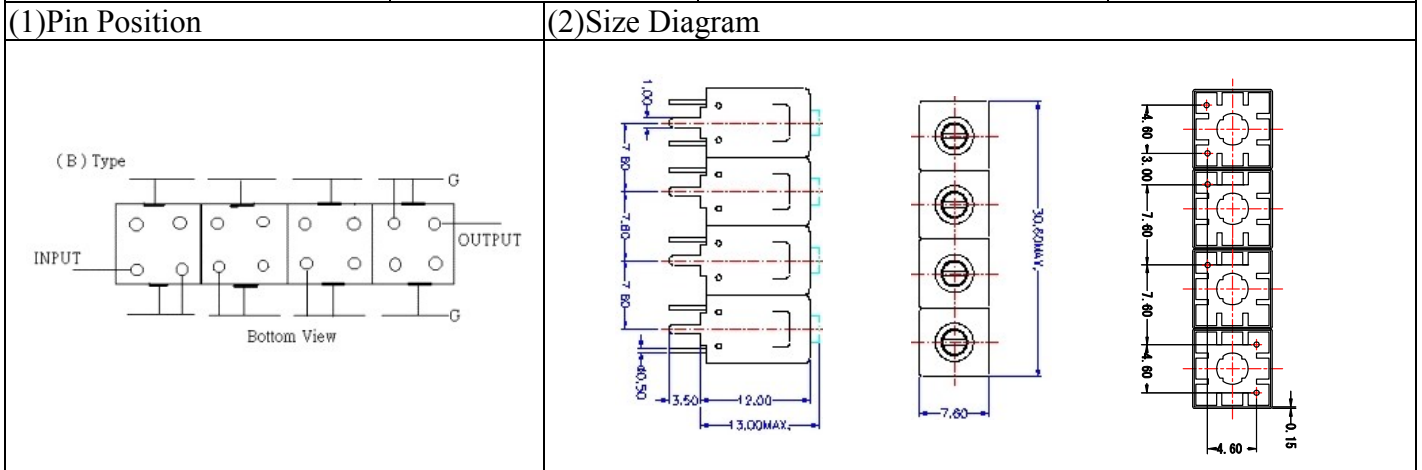
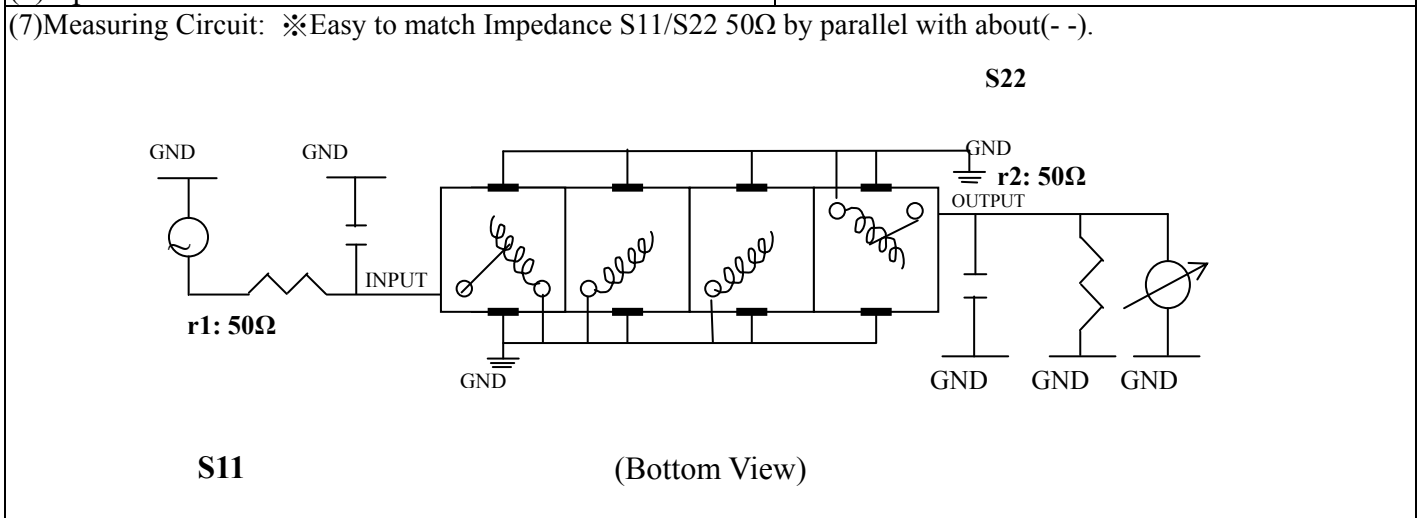


VHF UHF Helical Filter Specification Sheet

Customer Name		Temwell's Part No.	TF69528B-436M
Approval No. /dated	201703035CD	Temwell's Print Name	69528B 436M
Work Instruction No.	201703035CD	Date	Mar.10.2017



(3) Electric Characteristic			
Item		Specify	Performance
Center Freq.(Fo) +/- 0.5 %		436 MHz	436 MHz
Insertion Loss		Typ. 1.5 dB	0.82 dB
-3 dB Bandwidth		Typ. 65 MHz	70.3 MHz
Sensitivity (Attenuation)	Fo - 100 MHz	Typ. 48 dBc	53 dBc
	Fo +100 MHz	Typ. 27 dBc	32 dBc
	Fo - ()MHz	Typ. dBc	dBc
	Fo +()MHz	Typ. dBc	dBc
Return Loss		Min. 12 dB	31.1 dB
Ripple		< 1 dB	dB
Impedance		In / Out : 50 Ω	In / Out : 50 Ω
(4) Torque for Tuning Screw		> 60gf • cm	
(5) Temperature Condition:			
Operating Temperature		0°C ~ +60°C	
Storage Temperature		-20°C ~ +70°C	
(6) Input Power		> 1 Watt	



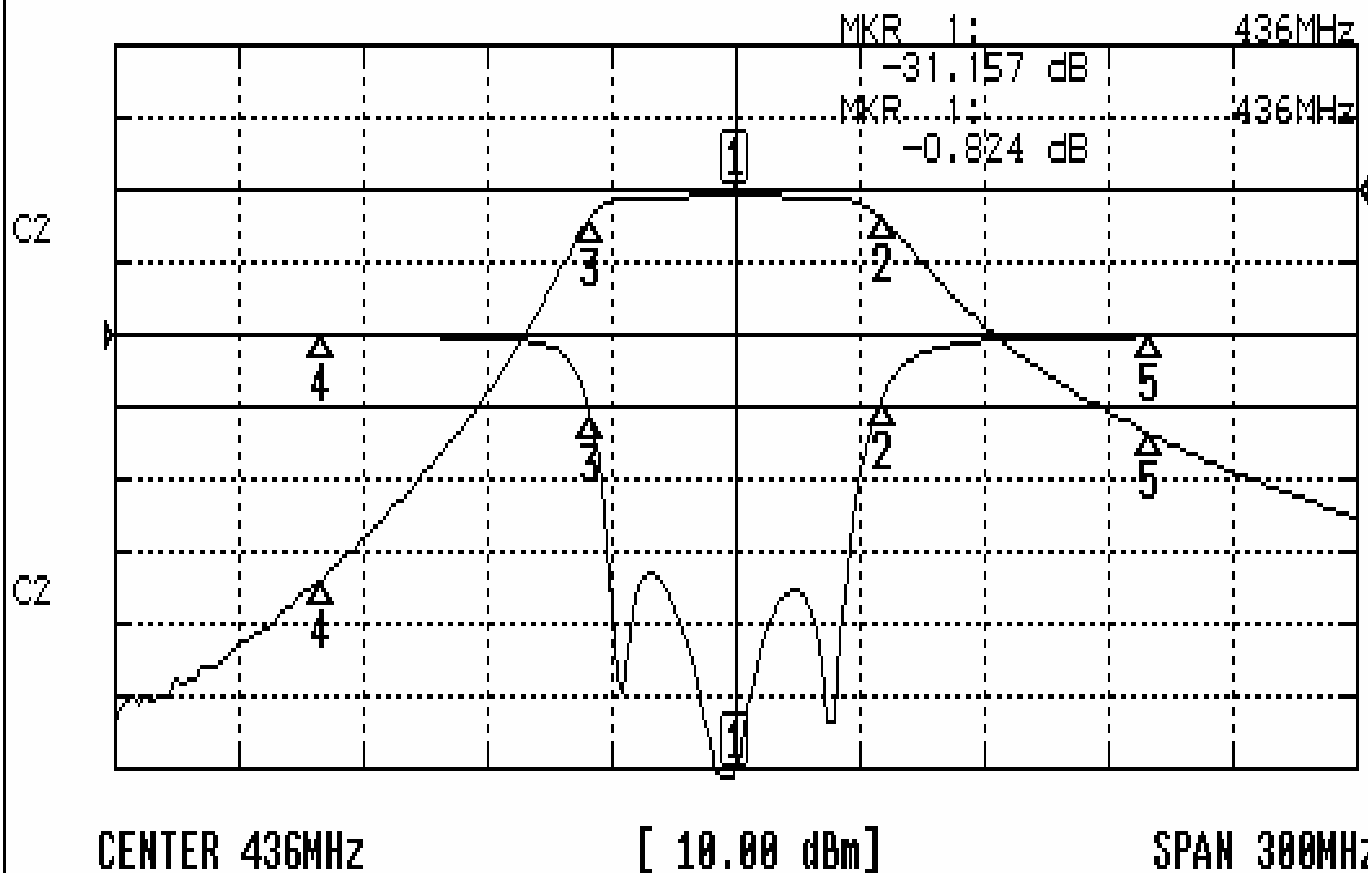
Approval	Supervisor	Designer	Aperture size
C.Y.Chang	C.K.Chang	C.H.Yeh	7H4S(4*8.0)(8.04) 7H046LB5.5

TEMWELL CORPORATION

Performance-TF69528B-436M

201703035CD

CH1 S11 LOG MAG REF 0.000 dB 5.000 dB/
CH2 S21 LOG MAG REF 0.000 dB 10.000 dB/



CH1 MARKER LIST

Marker	Frequency (MHz)	Magnitude (dB)
1:	436.000	-31.157
2:	471.310	-14.529
3:	401.000	-5.474
4:	336.000	-0.095
5:	536.000	-0.136

CH2 MARKER LIST

Marker	Frequency (MHz)	Magnitude (dB)
1:	436.000	-0.824
2:	471.310	-11.026
3:	401.000	-1.477
4:	336.000	-3.060
5:	536.000	-3.674