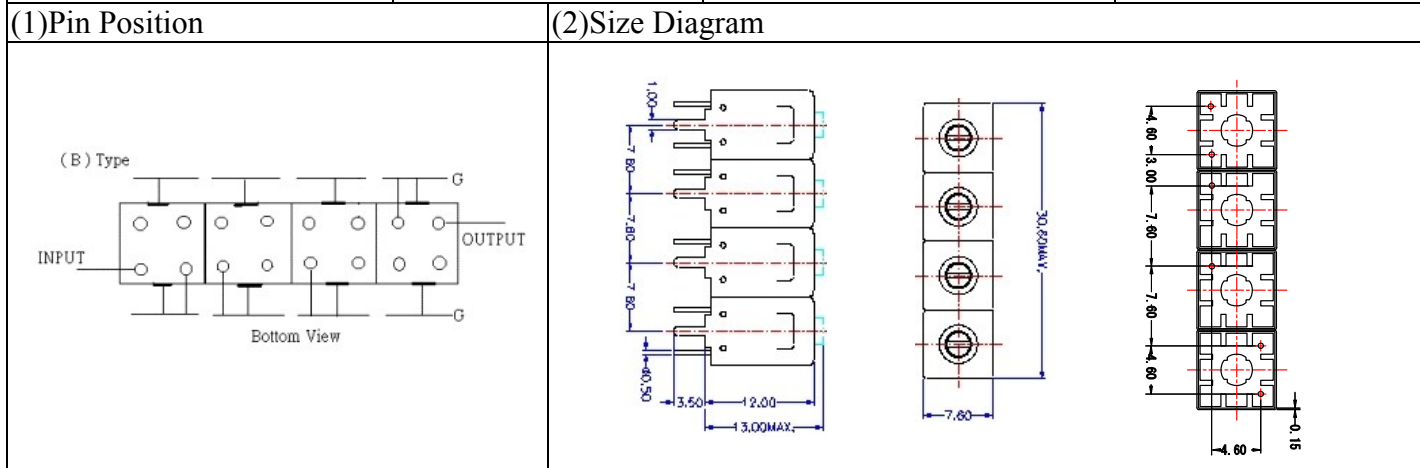


VHF UHF Helical Filter Specification Sheet

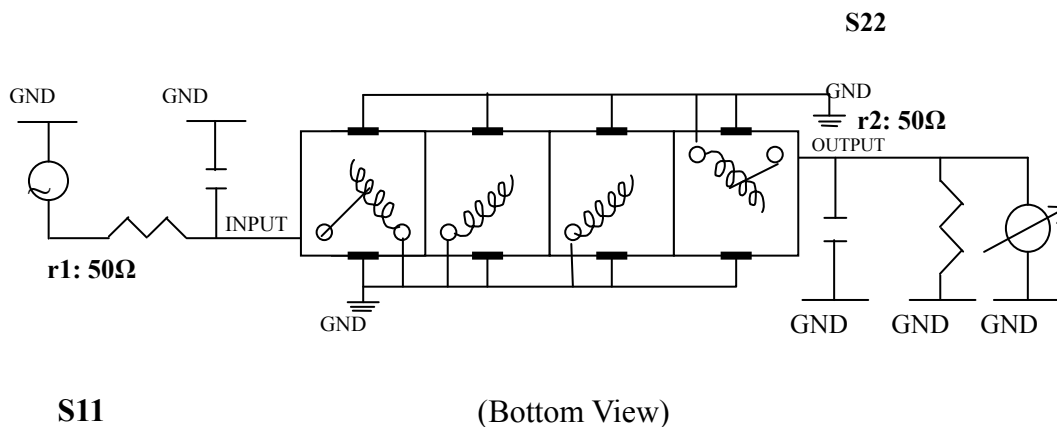
Customer Name		Temwell's Part No.	TF69524B-44M
Approval No. /dated	201701022CD	Temwell's Print Name	69524B 44M
Work Instruction No.	201701022CD	Date	Jan.18.2017



(3) Electric Characteristic

Item	Specify	Performance	
Center Freq.(Fo) +/- 0.5 %	44 MHz	44 MHz	
Insertion Loss	Typ. 3.0 dB	2.16 dB	
-3 dB Bandwidth	Typ. 7 MHz	9.0 MHz	
Sensitivity (Attenuation)	Fo - 10 MHz	Typ. 35 dBc	42 dBc
	Fo + 10 MHz	Typ. 27 dBc	32 dBc
	Fo - ()MHz	Typ. dBc	dBc
	Fo + ()MHz	Typ. dBc	dBc
Return Loss	Min. 12 dB	22.3 dB	
Ripple	< 1 dB	dB	
Impedance	In / Out : 50 Ω	In / Out : 50 Ω	
(4) Torque for Tuning Screw	> 60gf · cm		
(5) Temperature Condition:			
Operating Temperature	0°C ~ +60°C		
Storage Temperature	-20°C ~ +70°C		
(6) Input Power	> 1 Watt		

(7) Measuring Circuit: ※Easy to match Impedance S11/S22 50Ω by parallel with about(- -).



Approval	Supervisor	Designer	Aperture size
C.Y.Chang	C.K.Chang	C.H.Yeh	7H4S(4*8.0)(8.02) 7H00LB6

TEMWELL CORPORATION

Performance-TF69524B-44M

201701022CD

CH1 S11

LOG MAG

REF 0.000 dB

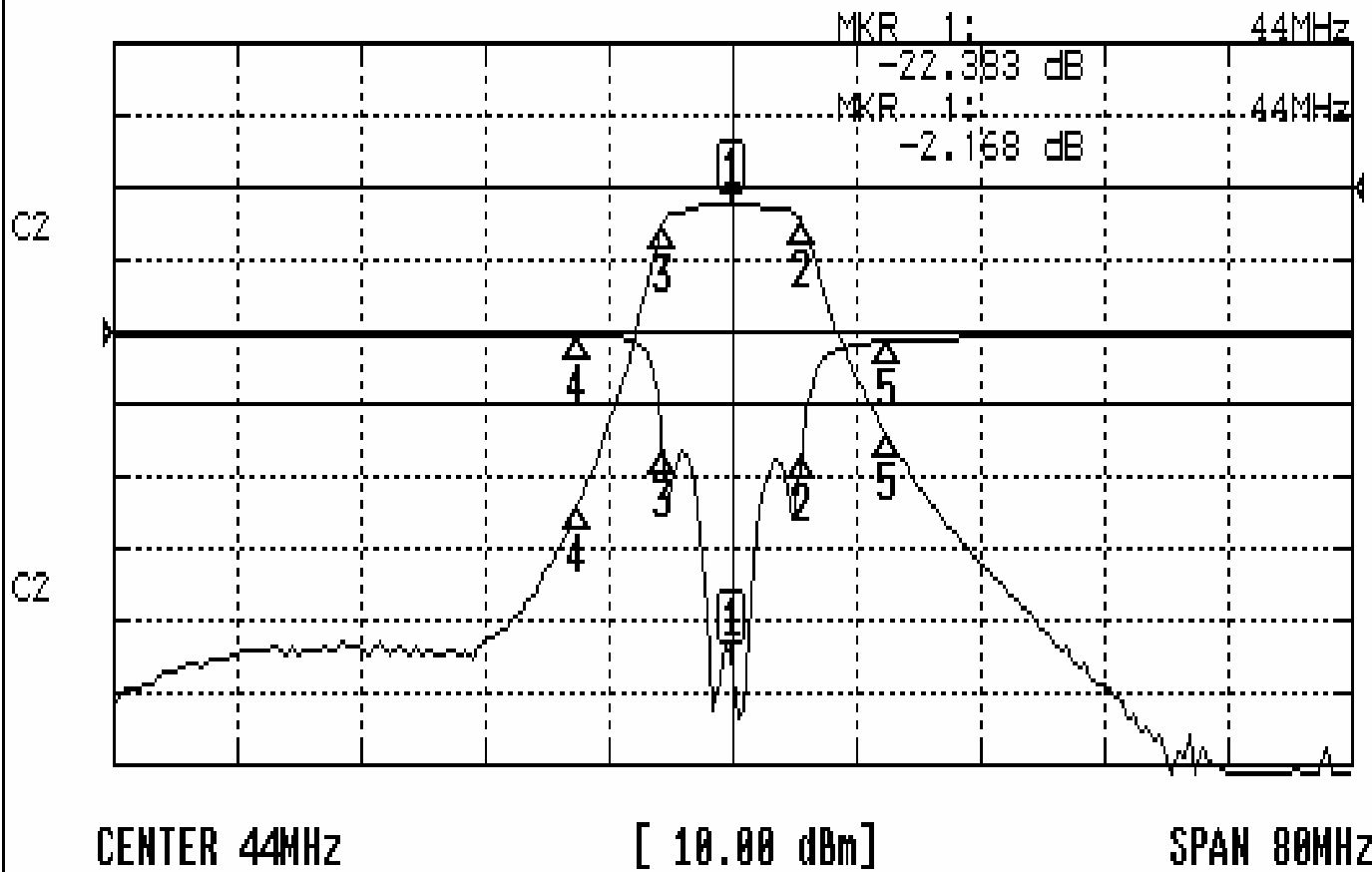
5.000 dB/

CH2 S21

LOG MAG

REF 0.000 dB

10.000 dB/



CH1 MARKER LIST

1:	44.000MHz	-22.383 dB
2:	48.550MHz	-8.246 dB
3:	39.520MHz	-8.202 dB
4:	34.000MHz	-0.268 dB
5:	54.000MHz	-0.645 dB

CH2 MARKER LIST

1:	44.000MHz	-2.168 dB
2:	48.550MHz	-5.135 dB
3:	39.520MHz	-5.137 dB
4:	34.000MHz	-44.404 dB
5:	54.000MHz	-34.366 dB