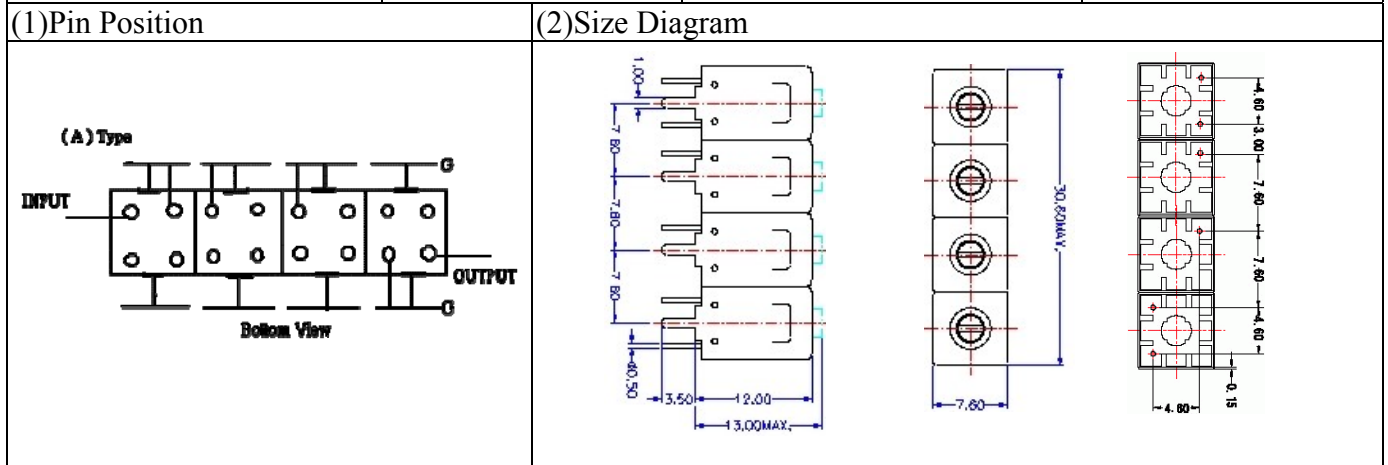


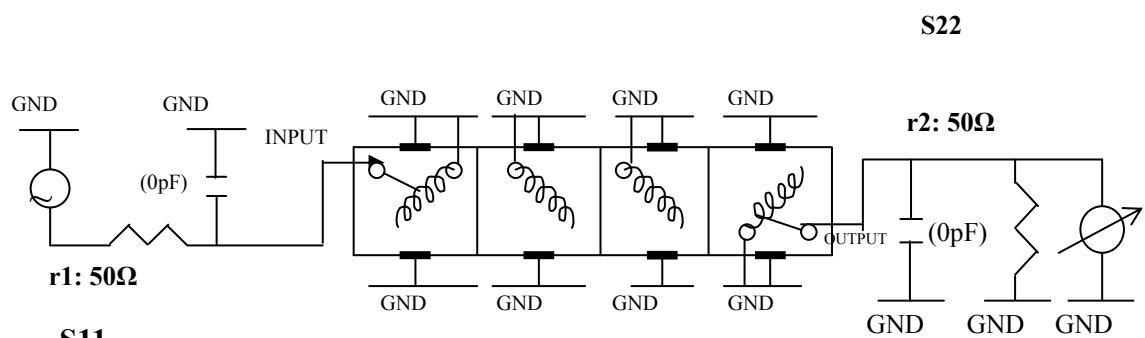
VHF UHF Helical Filter Specification Sheet

Customer Name		Temwell's Part No.	TF69518A-900M
Approval No. /dated	20201022APR	Temwell's Print Name	69518A 900M
Work Instruction No.	20201022DC	Date	Mar.03.2009



(3) Electric Characteristic					
Item		Specify		Performance	
Center Freq.(Fo) +/- 0.5 %		900 MHz		900 MHz	
Insertion Loss		Typ. 3.0 dB		1.95 dB	
-3 dB Bandwidth		Typ. 85 MHz		95.7 MHz	
Sensitivity (Attenuation)	Fo - 100 MHz	Typ. 34 dBc		37 dBc	
	Fo + 100 MHz	Typ. 19 dBc		22 dBc	
	Fo - ()MHz	Typ. dBc		dBc	
	Fo +()MHz	Typ. dBc		dBc	
Return Loss		Min. 12 dB		15.8 dB	
Ripple		< 1 dB		dB	
Impedance		In / Out : 50 Ω		In / Out : 50 Ω	
(4) Torque for Tuning Screw				> 100gf · cm	
(5) Temperature Condition:					
Operating Temperature		0°C ~ +60°C			
Storage Temperature		-20°C ~ +70°C			
(6) Input Power				> 1Watt	

(7) Measuring Circuit: ※Easy to match Impedance S11/S22 /50Ω by parallel with about(0pF) / (0pF).



(Bottom View)

Approval	Supervisor	Designer	Aperture size
C.Y.Chang	C.K.Chang	C.S.Chang	7H4S(4*7.5F) (7H046LB6)

TEMWELL CORPORATION

Performance-TF69518A-900M

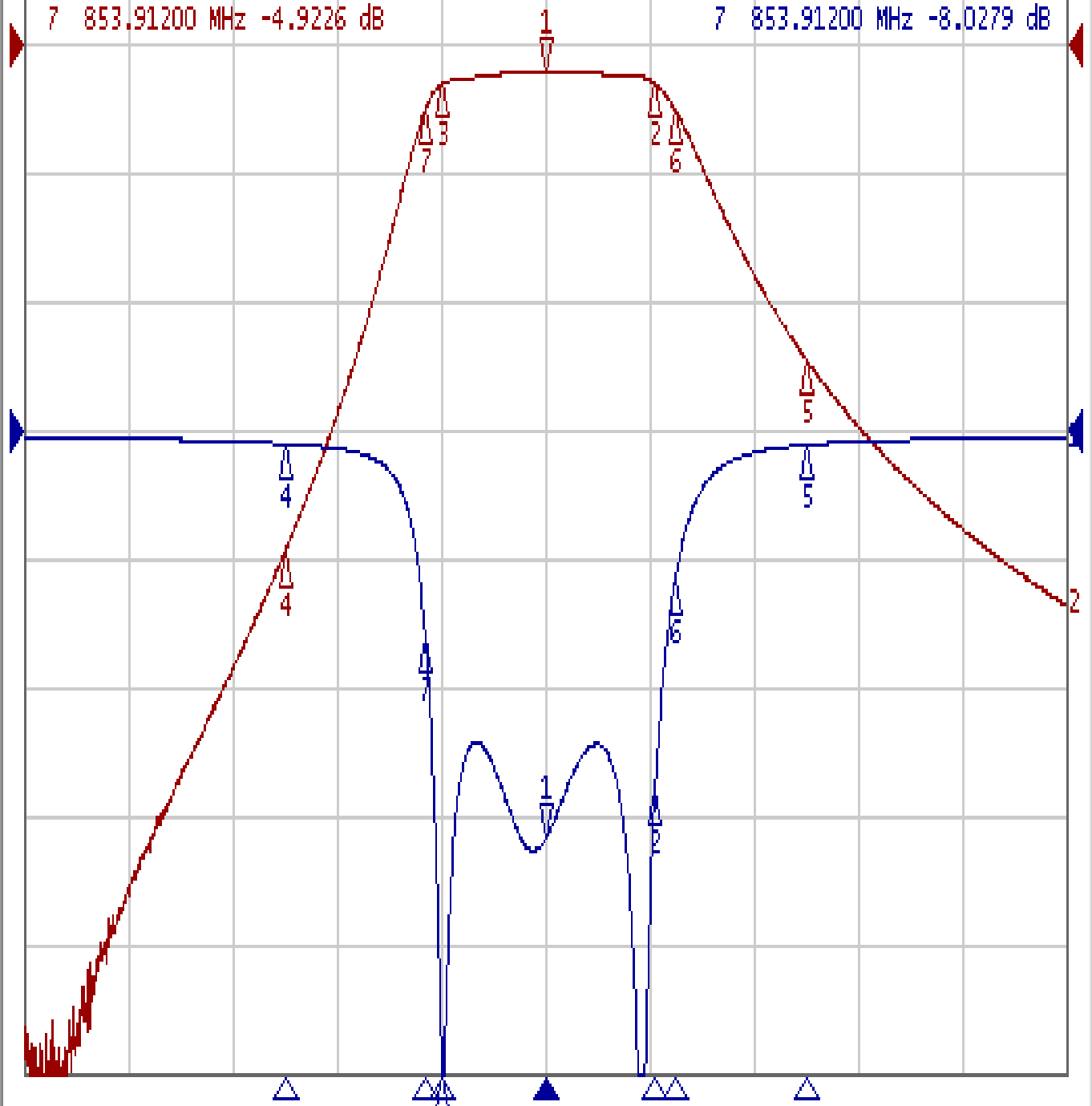
20201022DC

Tr1 S11 Log Mag 5.000dB/ Ref 0.000dB [F3]

Tr2 S21 Log Mag 10.00dB/ Ref 0.000dB [F3]

1	900.00000 MHz	-1.9578 dB
2	942.12000 MHz	-2.9243 dB
3	860.46900 MHz	-2.9257 dB
4	800.00000 MHz	-39.398 dB
5	1.0000000 GHz	-24.367 dB
6	949.68900 MHz	-4.9177 dB
7	853.91200 MHz	-4.9226 dB

>1	900.00000 MHz	-15.896 dB
2	942.12000 MHz	-14.010 dB
3	860.46900 MHz	-25.217 dB
4	800.00000 MHz	-0.4881 dB
5	1.0000000 GHz	-0.5258 dB
6	949.68900 MHz	-5.8524 dB
7	853.91200 MHz	-8.0279 dB



1 Center 900 MHz

IFBW 10 kHz

Span 400 MHz

