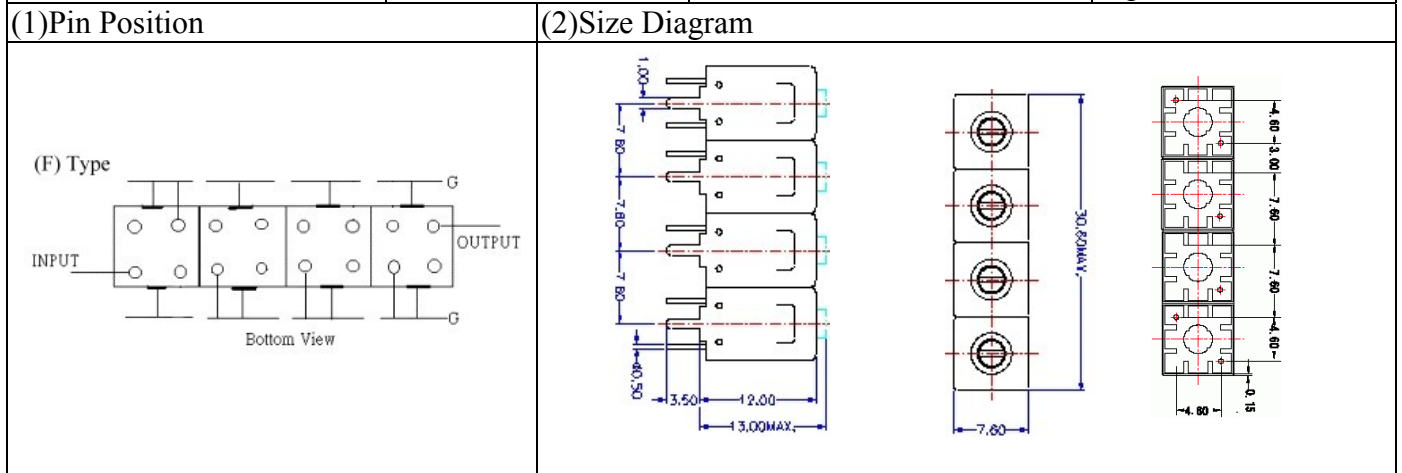


VHF UHF Helical Filter Specification Sheet

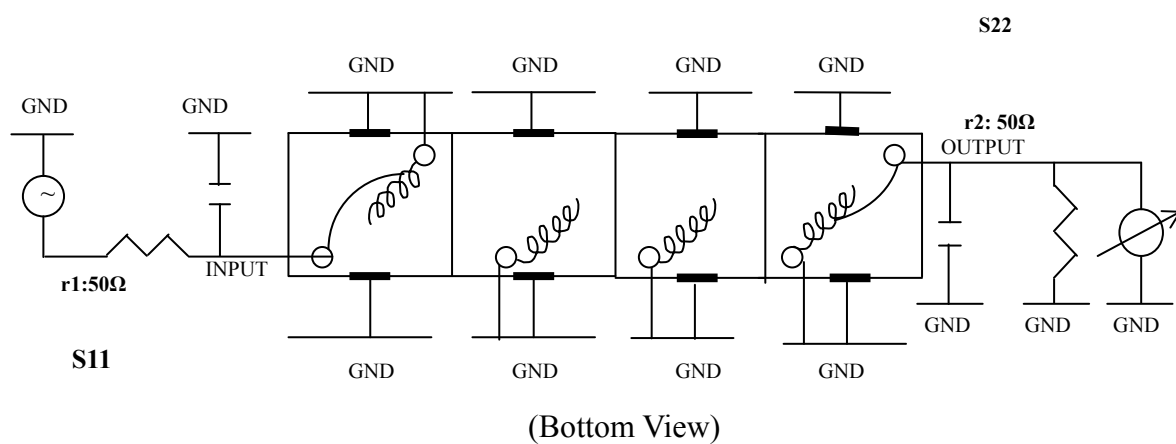
| | | | |
|----------------------|-------------|----------------------|----------------|
| Customer Name | | Temwell's Part No. | TF69514F-800M |
| Approval No. /dated | 201007089CD | Temwell's Print name | 69514F 800M |
| Work Instruction No. | 201007089CD | Date | Sep.27.2010 |



(3) Electric Characteristic

| Item | Specify | Performance | |
|------------------------------|-----------------|-----------------|--------|
| Center Freq.(Fo) +/- 0.5 % | 800 MHz | 800 MHz | |
| Insertion Loss | Typ. 2.0 dB | 1.29 dB | |
| -3dB Bandwidth | Typ. 70 MHz | 78.8 MHz | |
| Sensitivity (Attenuation) | Fo - (100) MHz | Typ. 40 dBc | 43 dBc |
| | Fo + (100) MHz | Typ. 33 dBc | 36 dBc |
| | Fo - () MHz | Typ. dBc | dBc |
| | Fo + () MHz | Typ. dBc | dBc |
| Return Loss | Min. 12 dB | 19.4 dB | |
| Ripple | < 1 dB | dB | |
| Impedance | In / Out : 50 Ω | In / Out : 50 Ω | |
| (4) Torque for Tuning Screw | > 60gf · cm | | |
| (5) Temperature Condition: | | | |
| Operating Temperature | 0°C ~ +60°C | | |
| Storage Temperature | -20°C ~ +70°C | | |
| (6) Input Power | > 1Watt | | |

(7) Measuring Circuit: ※Easy to match Impedance S11/S22 50Ω by parallel with about(--) / (--).



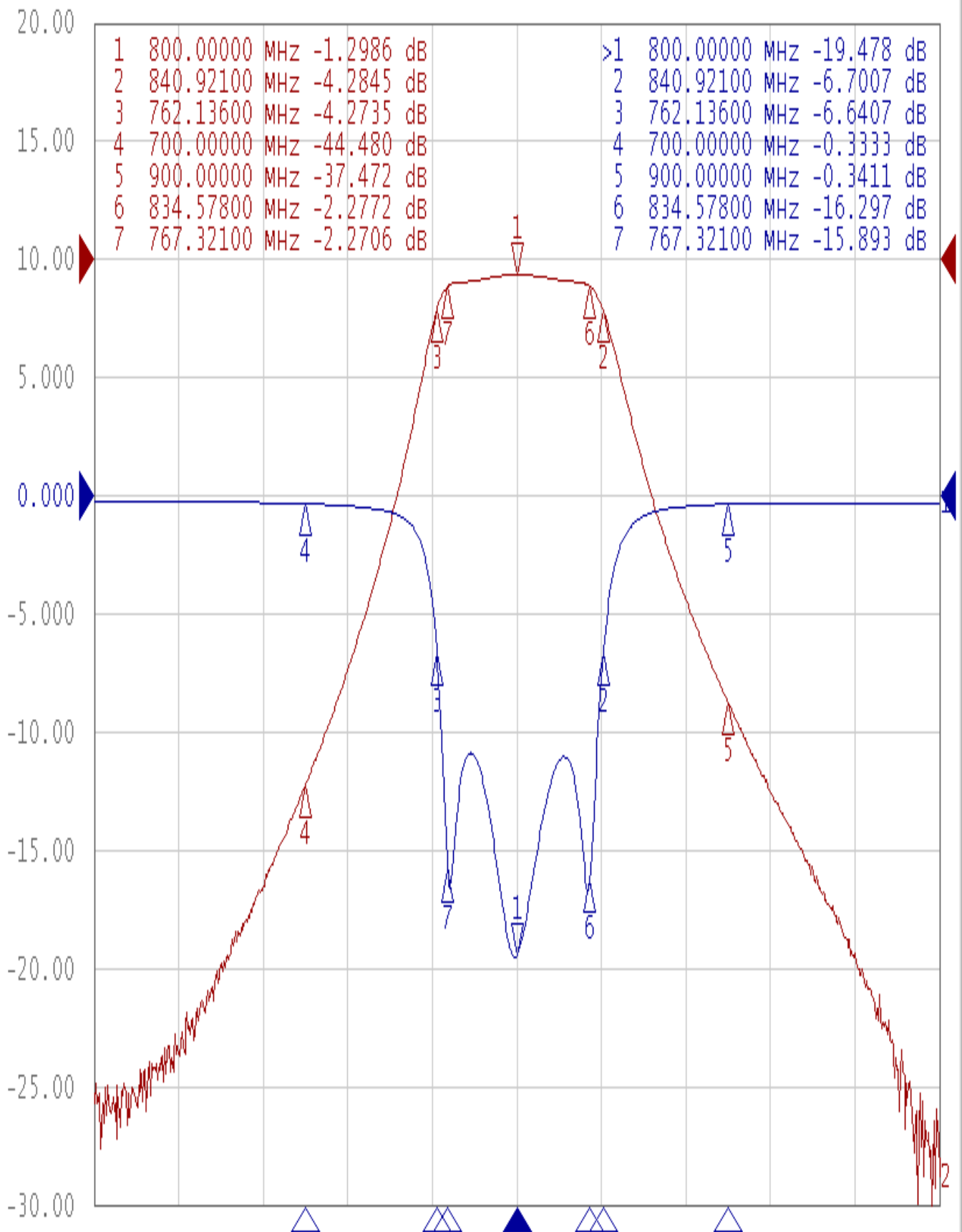
| | | | |
|-----------|------------|-----------|---------------------------------|
| Approval | Supervisor | Designer | Aperture size |
| C.Y.Chang | C.K.Chang | C.S.Chang | 7H4S(4*7.5)(7.56) 7H046RB5.5 |

TEMWELL CORPORATION

Performance-TF69514F-800M

201007089CD

Tr1 S11 Log Mag 5.000dB/ Ref 0.000dB [F2]
Tr2 S21 Log Mag 10.00dB/ Ref 0.000dB [F2]



1 Center 800 MHz

IFBW 10 kHz

Span 400 MHz Cor !